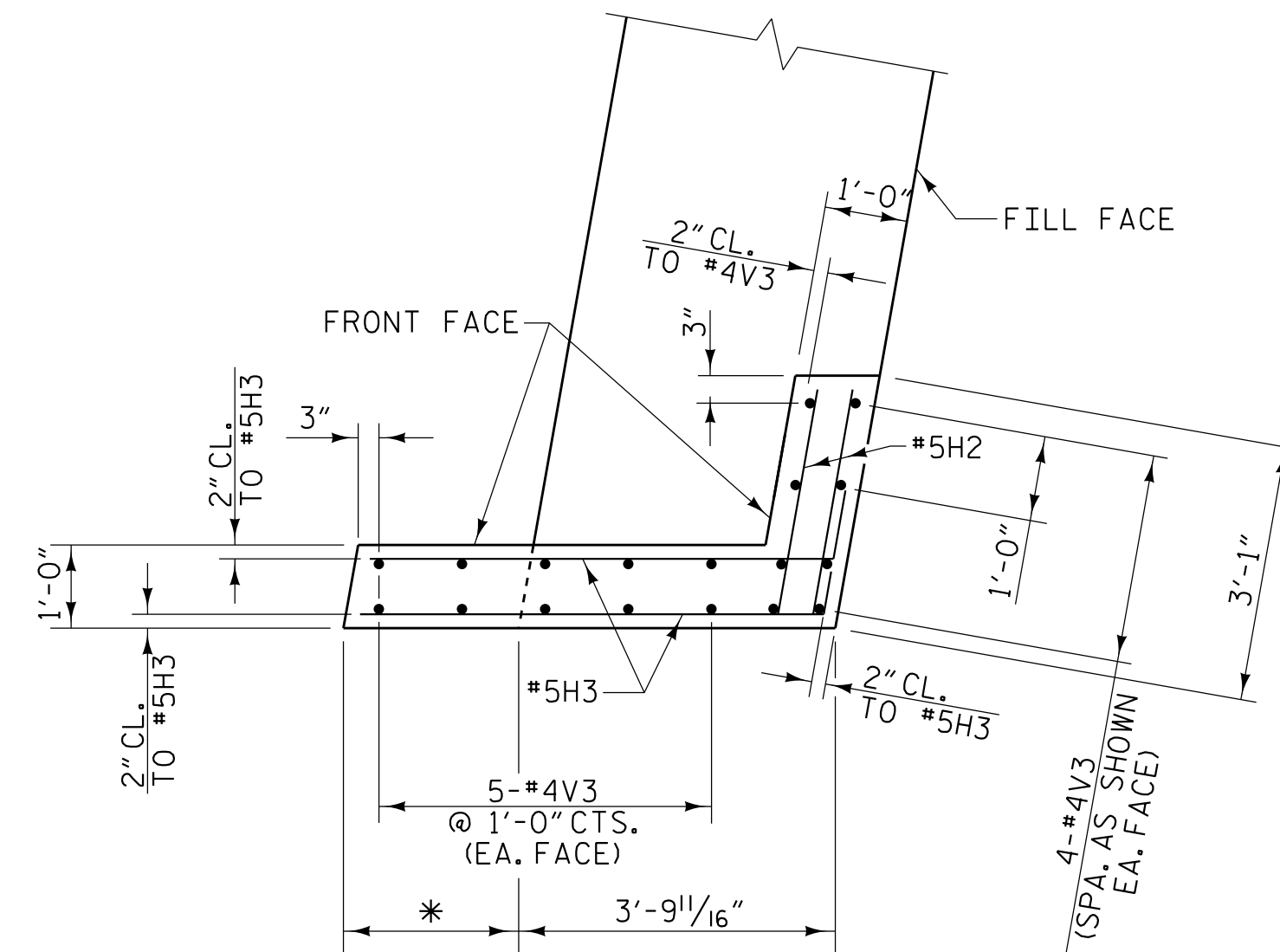
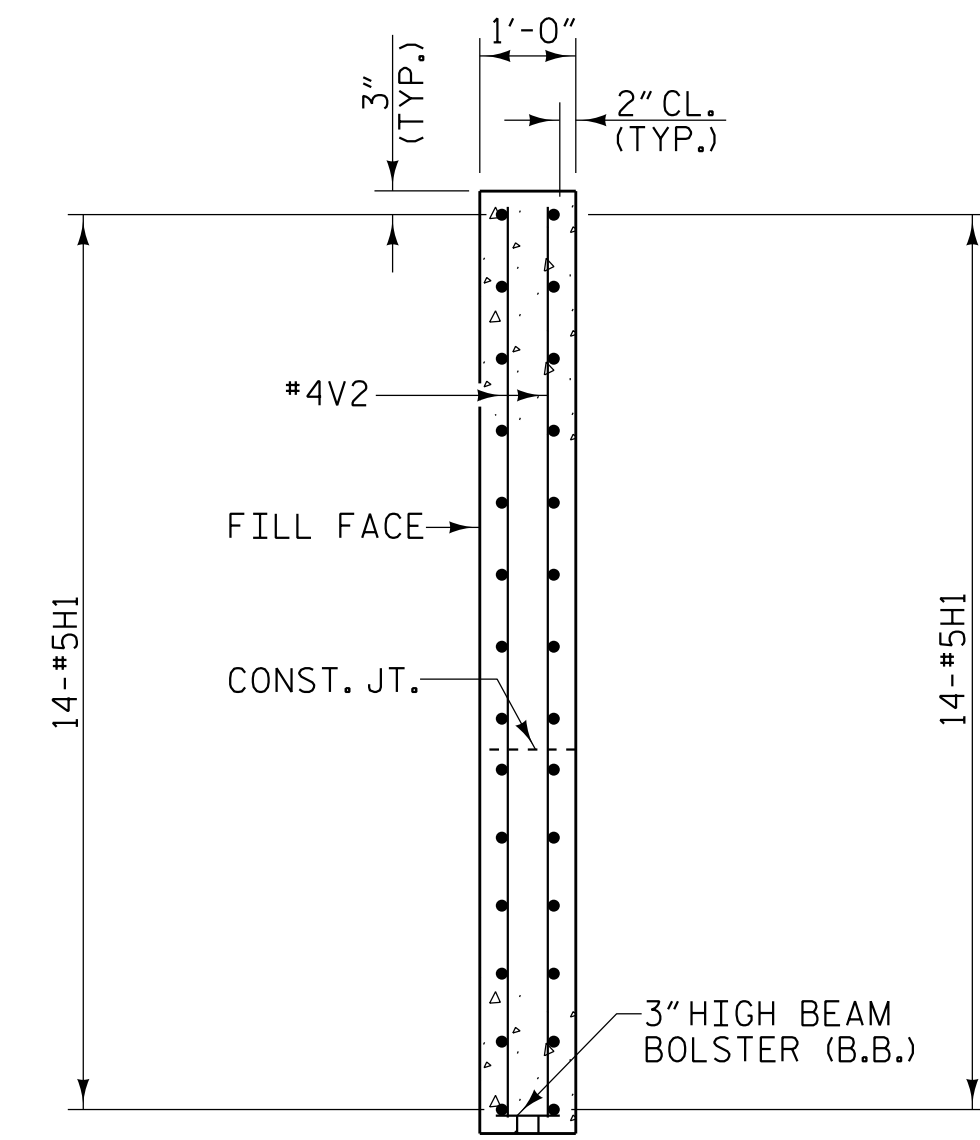


PLAN OF LEFT WING - W1

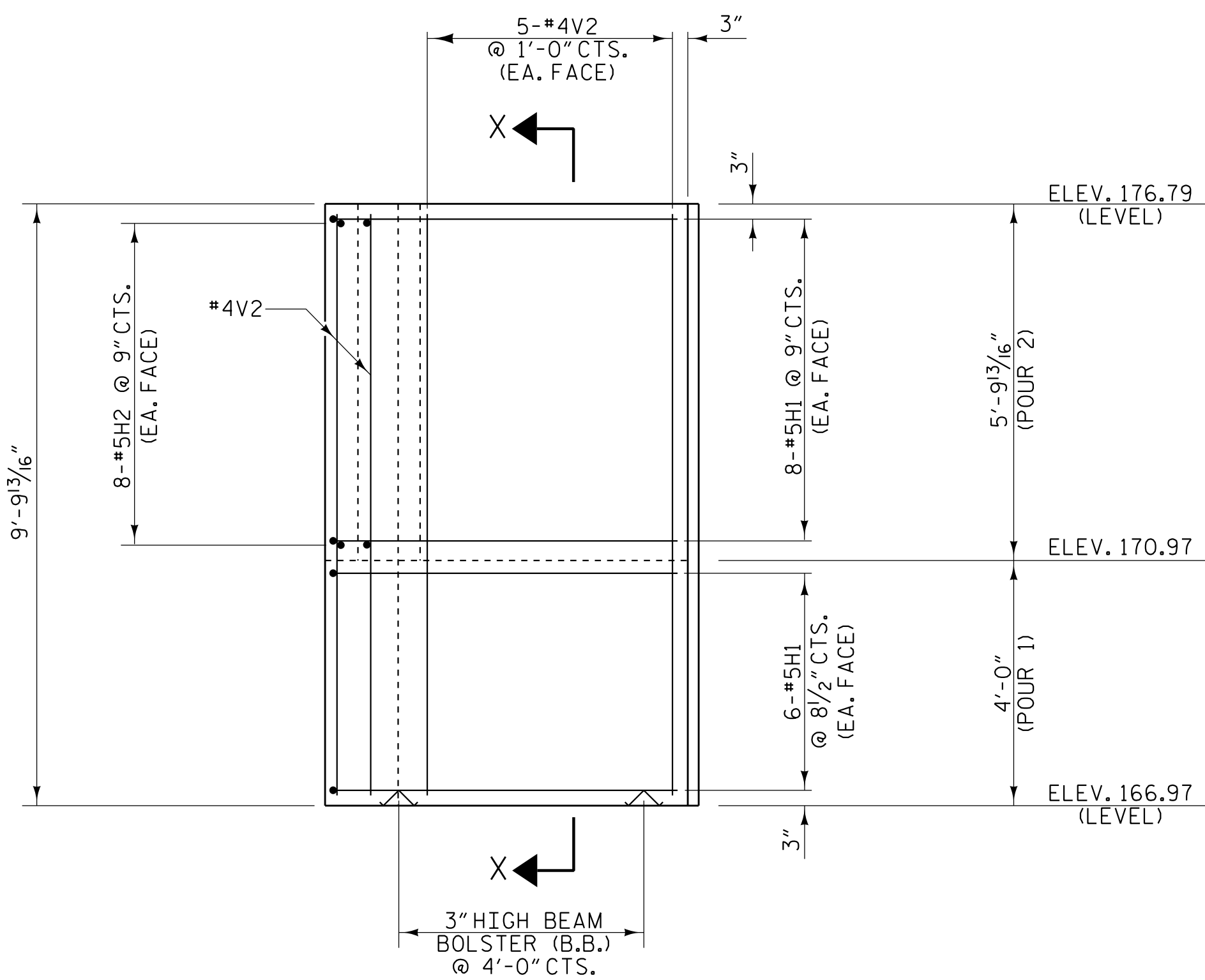
* -WINGWALL EXTENSION DISTANCE TO BE FIELD ADJUSTED AS REQUIRED TO PROVIDE FOR A 1" EXP. JT. BETWEEN THE MSE WALL COPING AND THE EXTENDED WINGWALL.



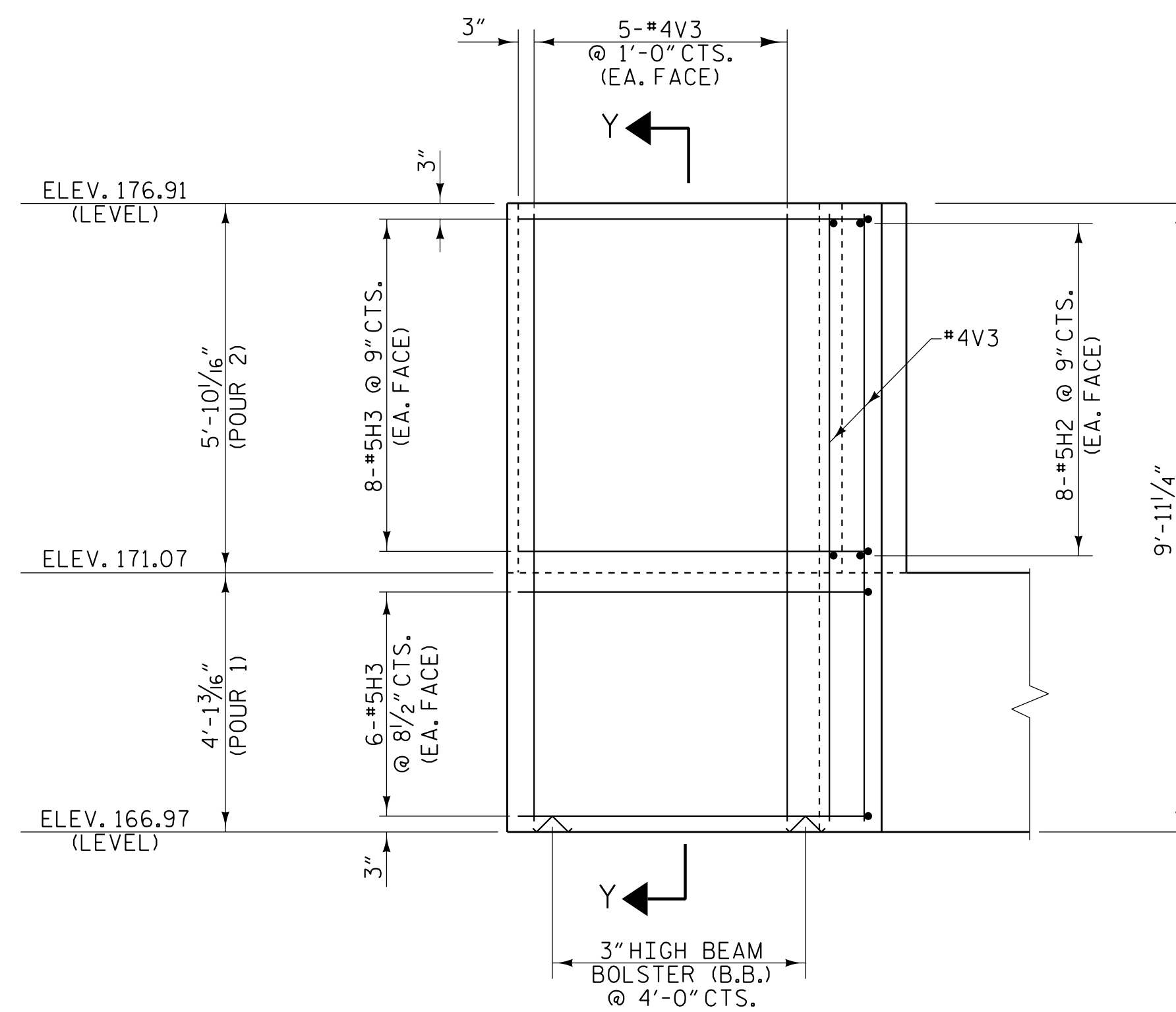
PLAN OF RIGHT WING - W2



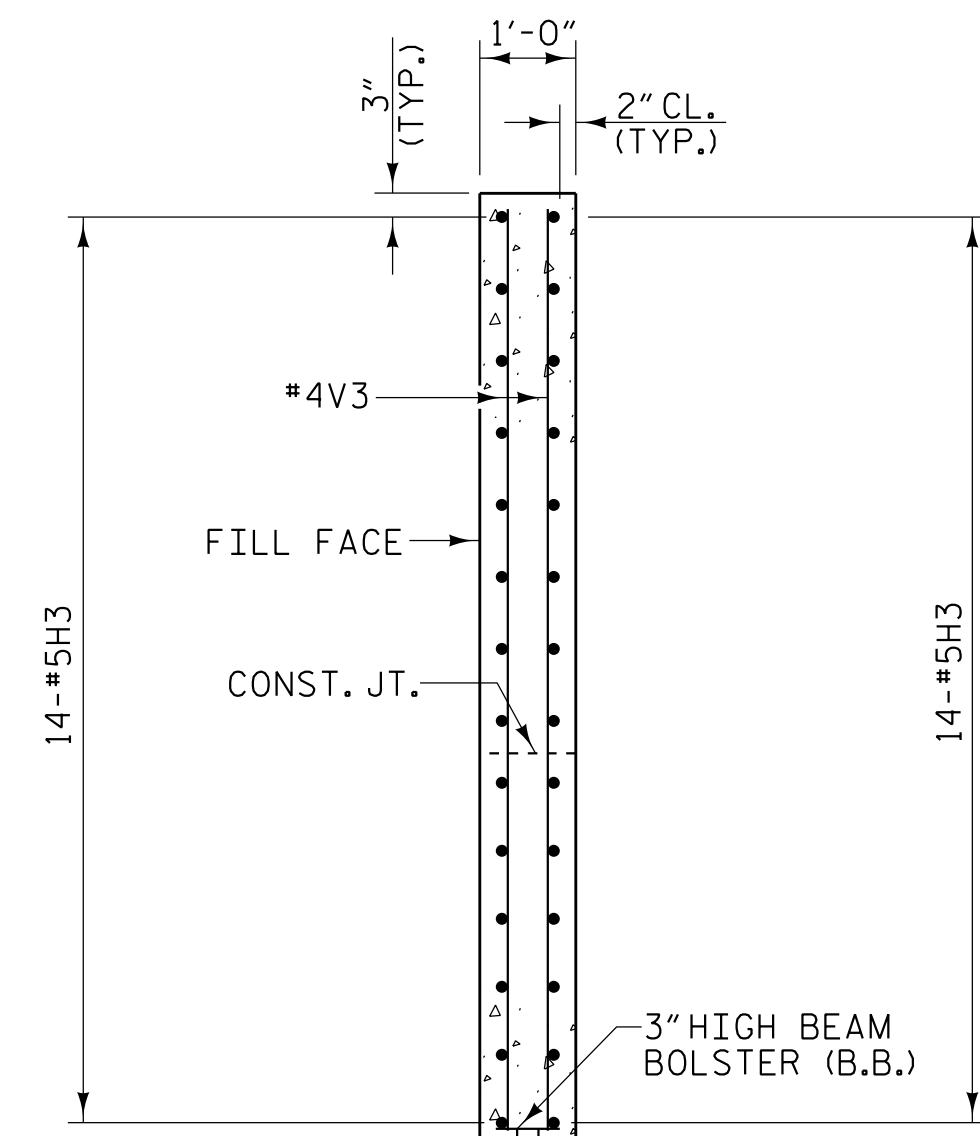
SECTION X-X



ELEVATION OF LEFT WING - W1



ELEVATION OF RIGHT WING - W2



SECTION Y-Y

PROJECT NO. I-5987A
 ROBESON COUNTY
 STATION: 41+19.02 -Y1A- POT

SHEET 2 OF 3

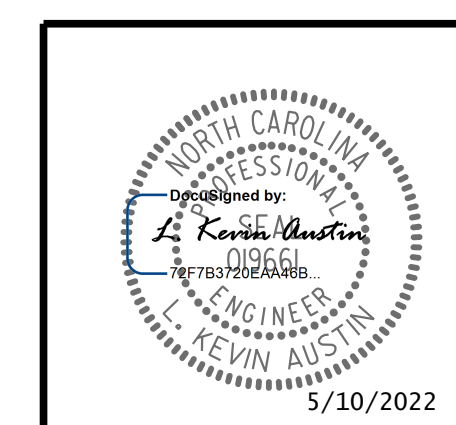
STATE OF NORTH CAROLINA
 DEPARTMENT OF TRANSPORTATION
 RALEIGH
 SUBSTRUCTURE
 INTEGRAL END BENT 2
 WING DETAILS

REVISIONS						SHEET NO.
NO.	BY:	DATE:	NO.	BY:	DATE:	TOTAL SHEETS
1			3			31
2			4			

PLANS PREPARED BY:

NV5

NV5 ENGINEERS & CONSULTANTS, INC.
 3300 REGENCY PARKWAY, SUITE 100
 CARY, NC 27518
 P: 919.851.1912 www.nv5.com
 NC License # F-1333



DRAWN BY : W. B. ALLEN DATE : 11/21
 CHECKED BY : G. F. WILSON DATE : 11/21
 DESIGN ENGINEER OF RECORD: L. K. AUSTIN DATE : 12/21

**DOCUMENT NOT CONSIDERED FINAL
 UNLESS ALL SIGNATURES COMPLETED**

5/5/2022 10:18:18 PM RA:\Structures\I-5987A (Y1A)\5987A_SMU.E5_770054.dgn