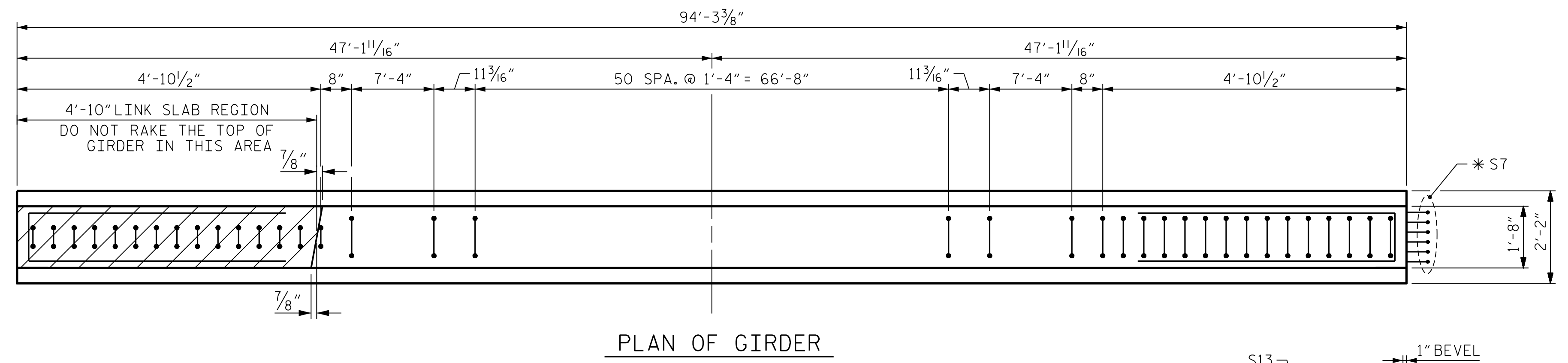
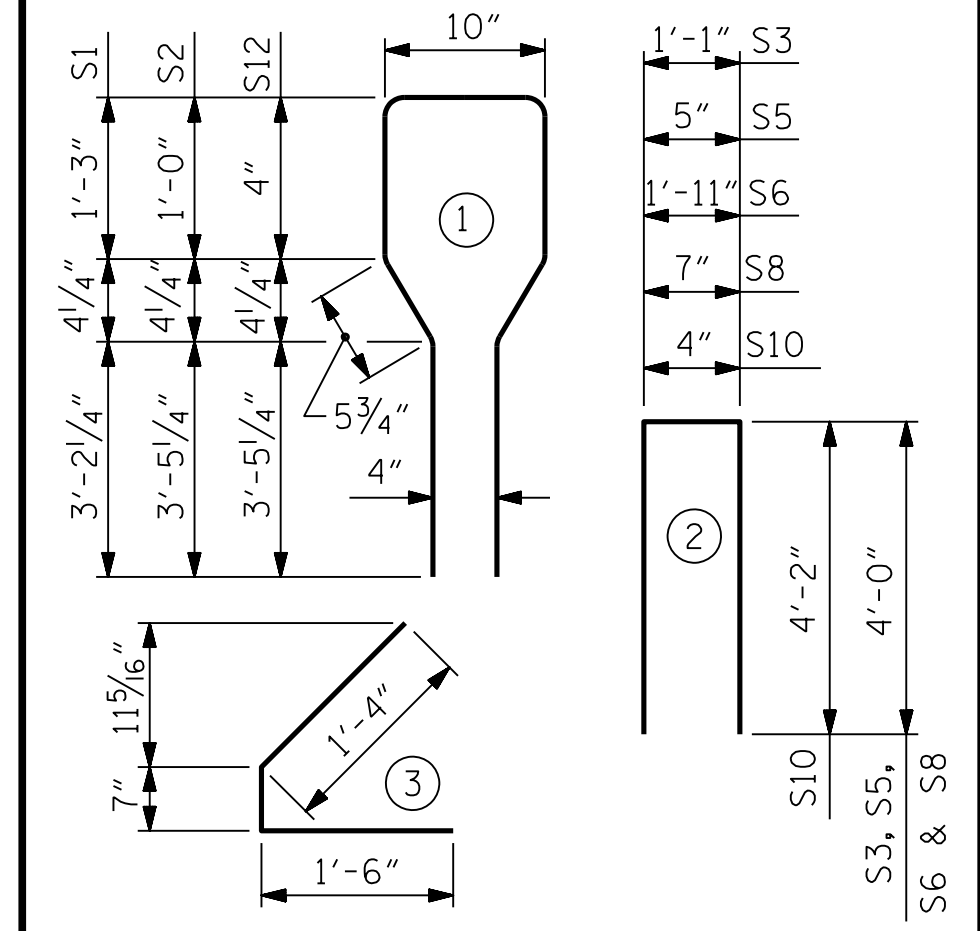


0.6" Ø L. R. GRADE 270 STRANDS		
AREA (SQUARE INCHES)	ULTIMATE STRENGTH (LBS. PER STRAND)	APPLIED PRESTRESS (LBS. PER STRAND)
0.217	58,600	43,950

REINFORCING STEEL FOR ONE GIRDER					
BAR	NUMBER	SIZE	TYPE	LENGTH	WEIGHT
S1	75	#4	1	10'-8"	534
S2	15	#6	1	10'-8"	240
S3	4	#4	2	9'-1"	24
S4	108	#4	3	3'-5"	246
S5	6	#4	2	8'-5"	34
S6	1	#4	2	9'-11"	7
*S7	12	#5	STR	3'-8"	46
S8	4	#4	2	8'-7"	23
S9	1	#3	STR	1'-10"	1
S10	2	#5	2	8'-8"	18
S11	5	#4	STR	7'-0"	23
S12	15	#6	1	9'-4"	210
S13	1	#3	STR	1'-4"	1

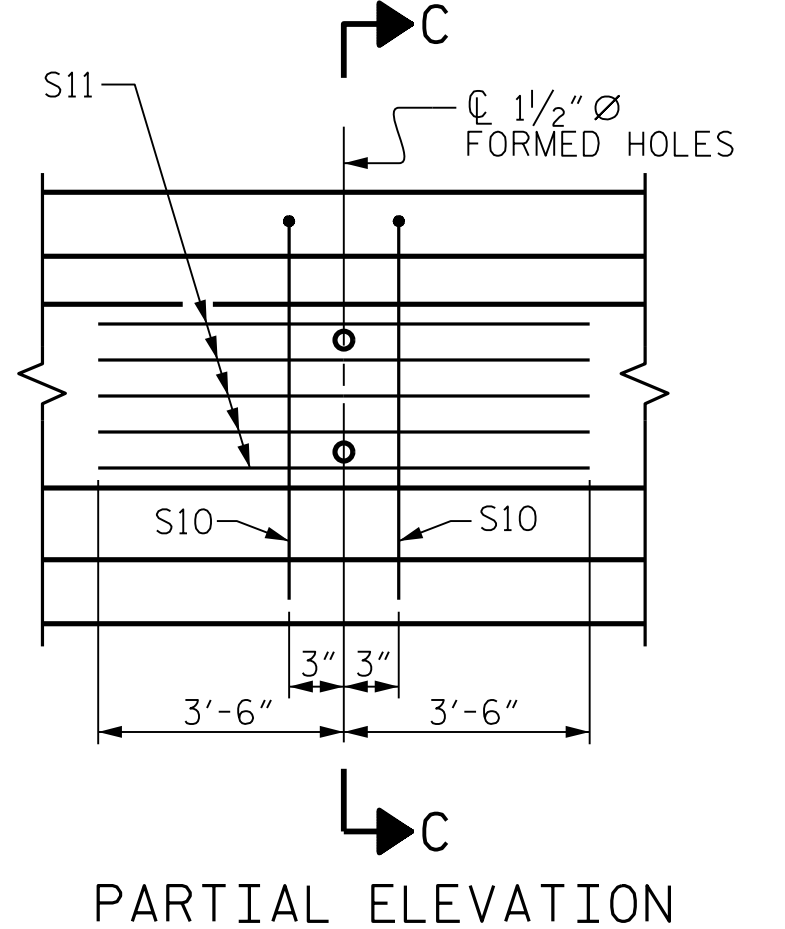
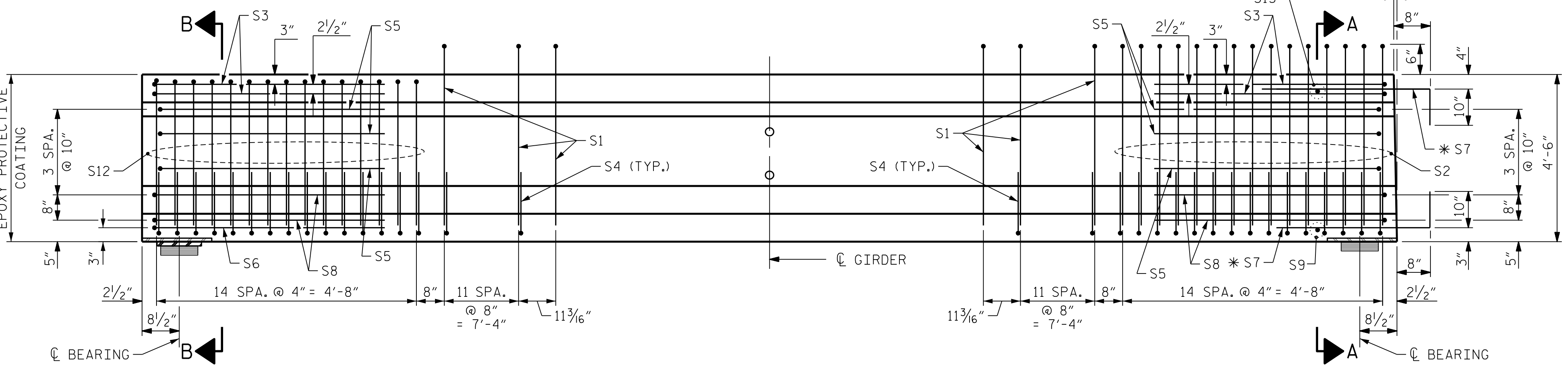
* NOTE: S7 BARS SHALL BE BENT BEFORE SHIPMENT. HEAT BENDING SHALL NOT BE ALLOWED.

BAR TYPES
ALL BAR DIMENSIONS ARE OUT-TO-OUT.



DEBONDING LEGEND

- FULLY BONDED STRANDS
- ▲ STRANDS DEBONDED FOR 8'-0" FROM END OF GIRDER
- ⊙ STRANDS DEBONDED FOR 4'-0" FROM END OF GIRDER



QUANTITIES FOR ONE GIRDER			
REINFORCING STEEL	8000 PSI CONCRETE		0.6" Ø L. R. STRANDS
	LB.	C.Y.	No.
GDR, B1-GDR, B4	1407	19.1	38

GIRDERS REQUIRED		
NUMBER	LENGTH	TOTAL LENGTH
4	94.28'	377.12'

PROJECT NO. I-5987A
ROBESON COUNTY
 STATION: 29+75.79 -Y2-

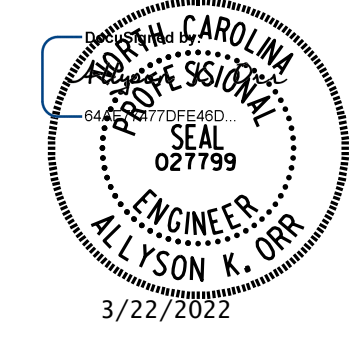
SHEET 2 OF 4

STATE OF NORTH CAROLINA
 DEPARTMENT OF TRANSPORTATION
 RALEIGH

SUPERSTRUCTURE
 AASHTO TYPE IV
 PRESTRESSED CONCRETE
 GIRDER - LINK SLAB
 SPAN B

**DOCUMENT NOT CONSIDERED FINAL
 UNLESS ALL SIGNATURES COMPLETED**

MI ENGINEERING
 1011 SCHAUB DRIVE, SUITE 100
 RALEIGH, NC 27606
 (919) 851-6606
 FIRM PE NUMBER: P-0671



REVISIONS					
NO.	BY:	DATE:	NO.	BY:	DATE:
1			3		
2			4		

DRAWN BY: B.E. LANNING	DATE: 03/2021
CHECKED BY: A.K. ORR	DATE: 03/2021
DESIGN ENGINEER OF RECORD: A.K. ORR	DATE: 03/2022

3/22/2022 1:15:19 PM User: blanning
 File: I-5987A&B I-5987A Structures\401.027.I5987A.SMU.C2.770151.dgn