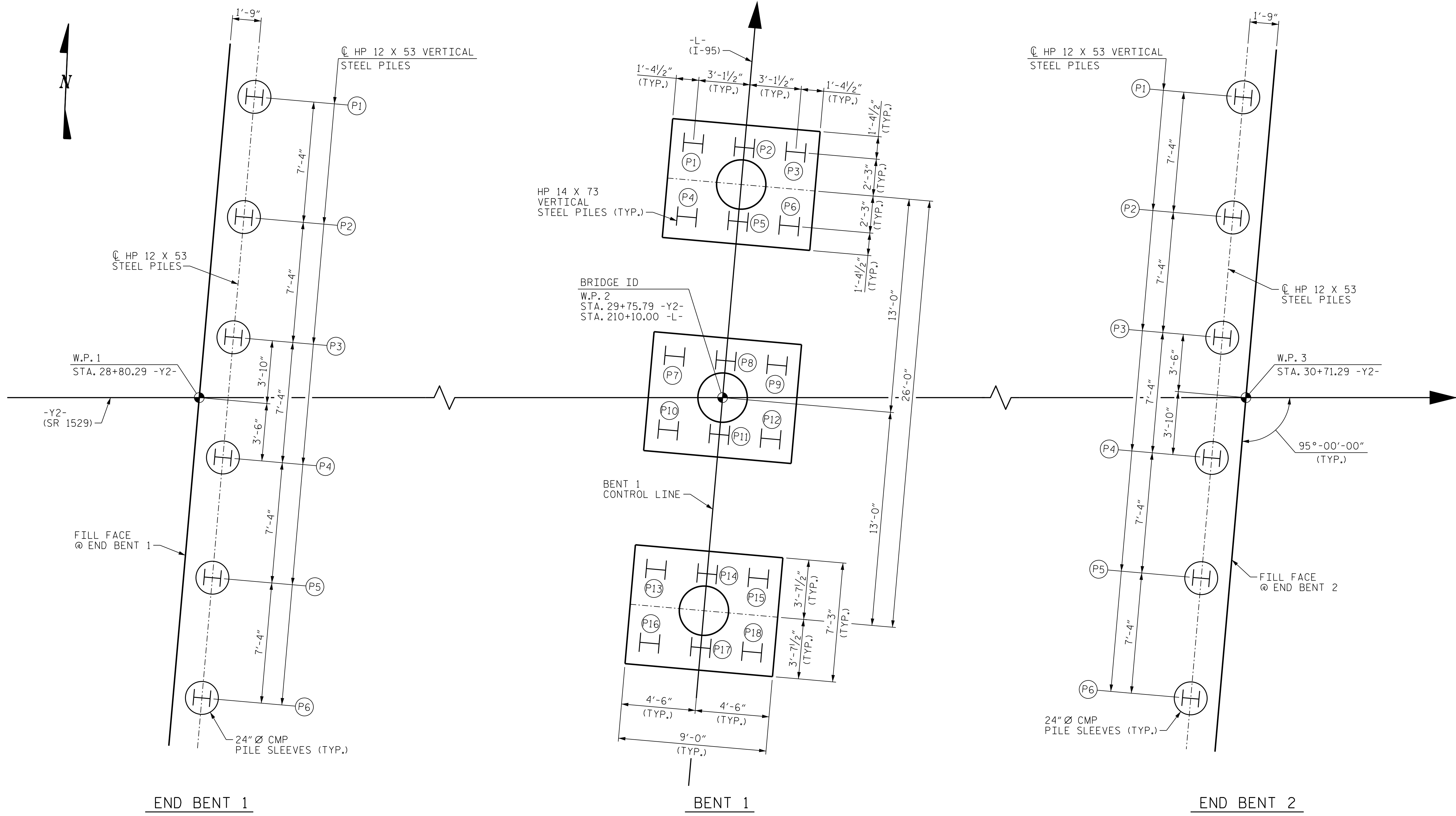
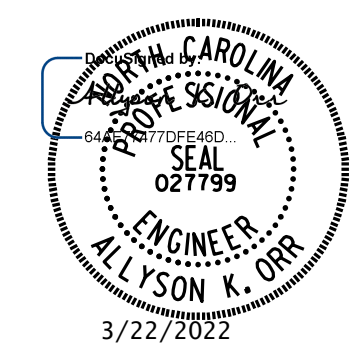


3/22/2022 1:15:00 PM User: blanning
 Filename: N:\NC Bridges\20003 I-5987A\B I-5987A\Structures\401.005.I5987A.SMU.FL01.770151.dgn



FOUNDATION LAYOUT
 DIMENSIONS LOCATING PILES ARE SHOWN TO THE PILE CENTERLINE AT THE BOTTOM OF CAP OR FOOTING.
 FOR FOUNDATION NOTES, SEE "PILE FOUNDATION TABLES" SHEET.

PROJECT NO. I-5987A
ROBESON COUNTY
 STATION: 29+75.79 -Y2-



STATE OF NORTH CAROLINA
 DEPARTMENT OF TRANSPORTATION
 RALEIGH
FOUNDATION LAYOUT

DRAWN BY : B.E. LANNING DATE : 06/2021
 CHECKED BY : A.K. ORR DATE : 11/2021
 DESIGN ENGINEER OF RECORD : A.K. ORR DATE : 03/2022

**DOCUMENT NOT CONSIDERED FINAL
 UNLESS ALL SIGNATURES COMPLETED**

MI ENGINEERING
 1011 SCHAUB DRIVE, SUITE 100
 RALEIGH, NC 27606
 (919) 851-6606
 FIRM PE NUMBER : P-0671

REVISIONS						SHEET NO.
NO.	BY:	DATE:	NO.	BY:	DATE:	
1			3			S1-3 TOTAL SHEETS 36
2			4			