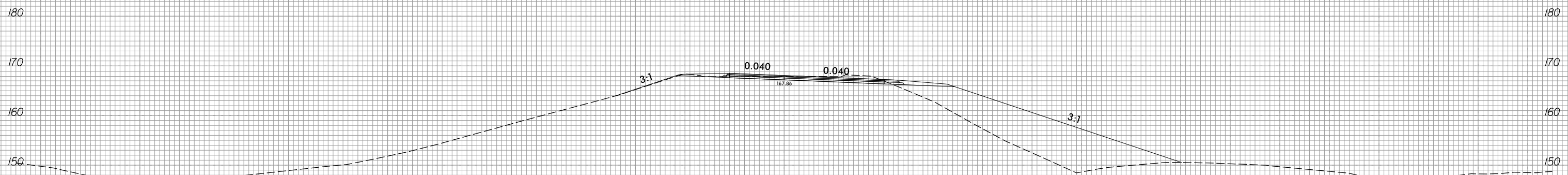


6/23/16

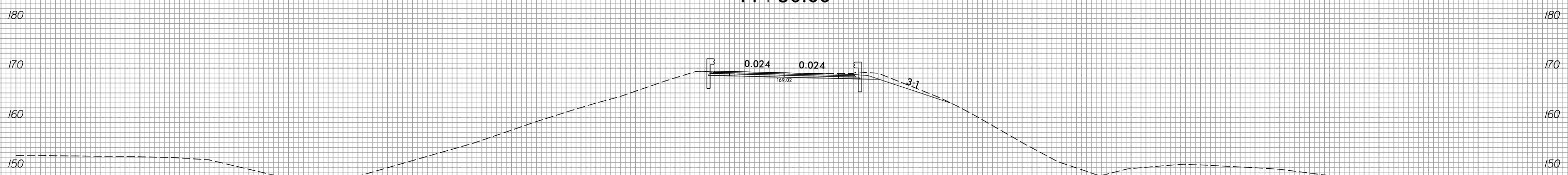


PROJ. REFERENCE NO.	SHEET NO.
I-5987A	X-406

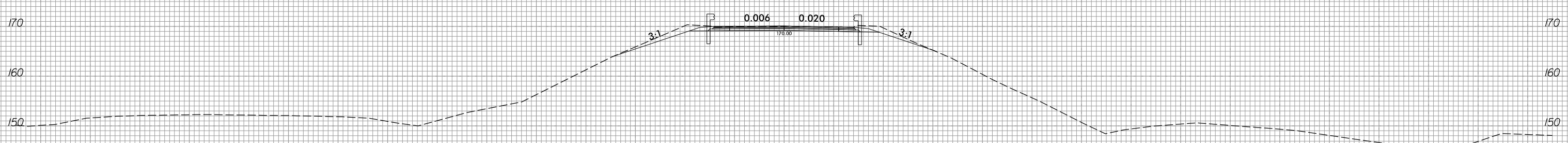
150 140 130 120 110 100 90 80 70 60 50 40 30 20 10 0 10 20 30 40 50 60 70 80 90 100 110 120 130 140 150



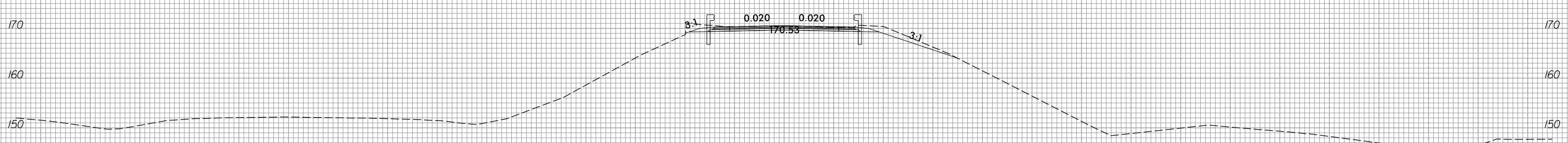
14 + 50.00



14 + 00.00



13 + 50.00



13 + 27.00

-YIADET-

150 140 130 120 110 100 90 80 70 60 50 40 30 20 10 0 10 20 30 40 50 60 70 80 90 100 110 120 130 140 150

5/3/2022  
 R:\Roadway\CorridorModeling\I5987A\_RDY\_XPL\_YIADET.dgn  
 David.Choi