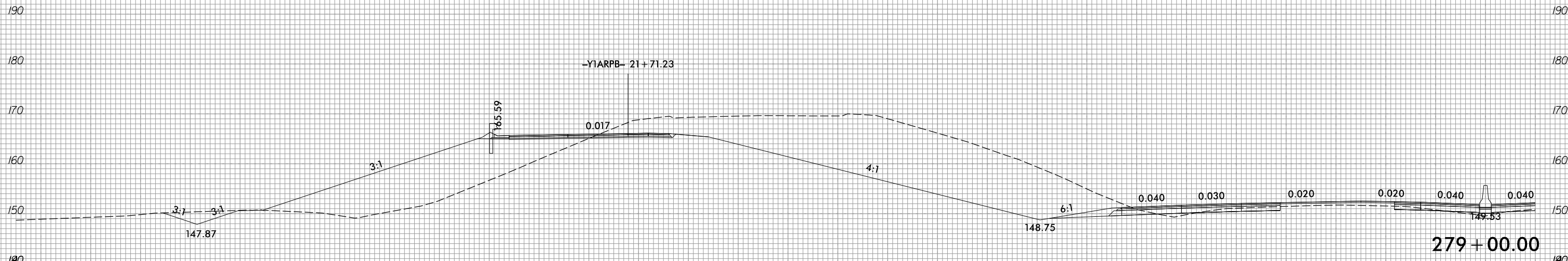


6/23/16

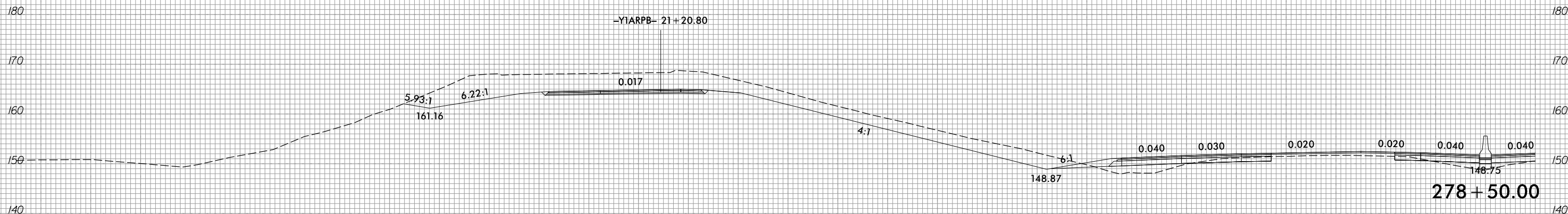


|                     |           |
|---------------------|-----------|
| PROJ. REFERENCE NO. | SHEET NO. |
| I-5987A             | X-80      |

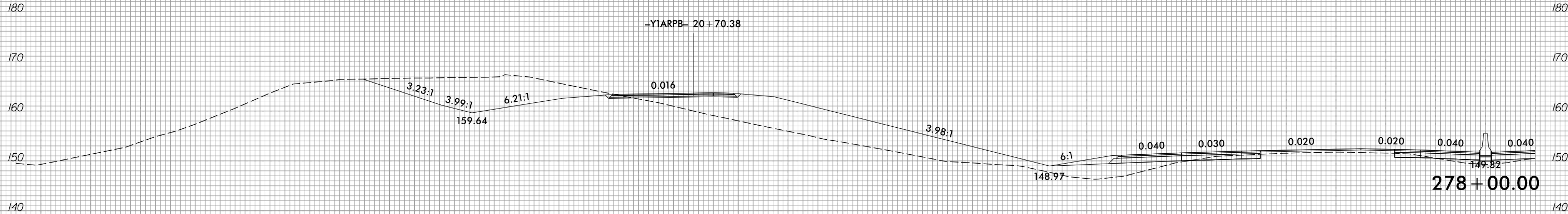
290 280 270 260 250 240 230 220 210 200 190 180 170 160 150 140 130 120 110 100 90 80 70 60 50 40 30 20 10 0 10



279 + 00.00



278 + 50.00



278 + 00.00

5/3/2022  
R:\Roadway\CorridorModeling\I5987A\_RDY\_XPL\_L.L.T.dgn  
David.Choi

290 280 270 260 250 240 230 220 210 200 190 180 170 160 150 140 130 120 110 100 90 80 70 60 50 40 30 20 10 0 10