
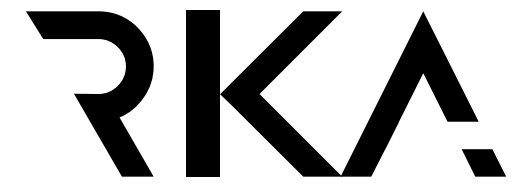
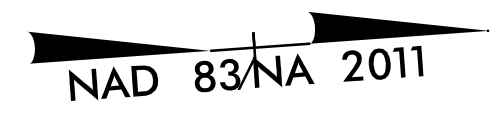


TIP NO.	SHEET NO.
I - 5987A	PMP - 29
APPROVED: <i>William J. Hamilton</i> <small>AS2600704848484</small>	
DATE: 5/10/2022	
SEAL	
	
DOCUMENT NOT CONSIDERED FINAL UNLESS ALL SIGNATURES COMPLETED	
	
RAMEY KEMP ASSOCIATES <small>5808 Faringdon Place Raleigh, North Carolina 27609 Phone: 919-872-5115</small>	



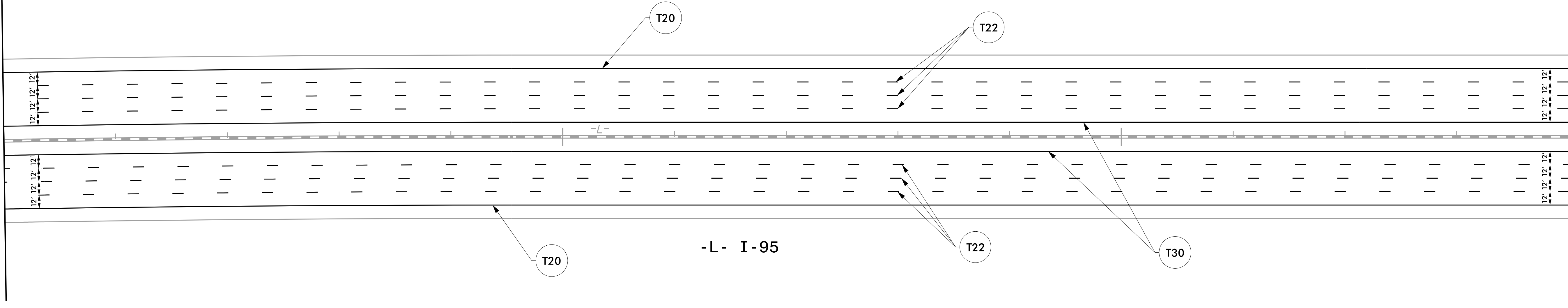
435

440

445

MATCHLINE -L- STA. 435 + 00 SEE SHEET PMP-28

MATCHLINE -L- STA. 449 + 00 SEE SHEET PMP-30



5/10/2022
I:\15687A_PMP-29.dgn
User: tpope@rka

PAVEMENT MARKING DETAIL