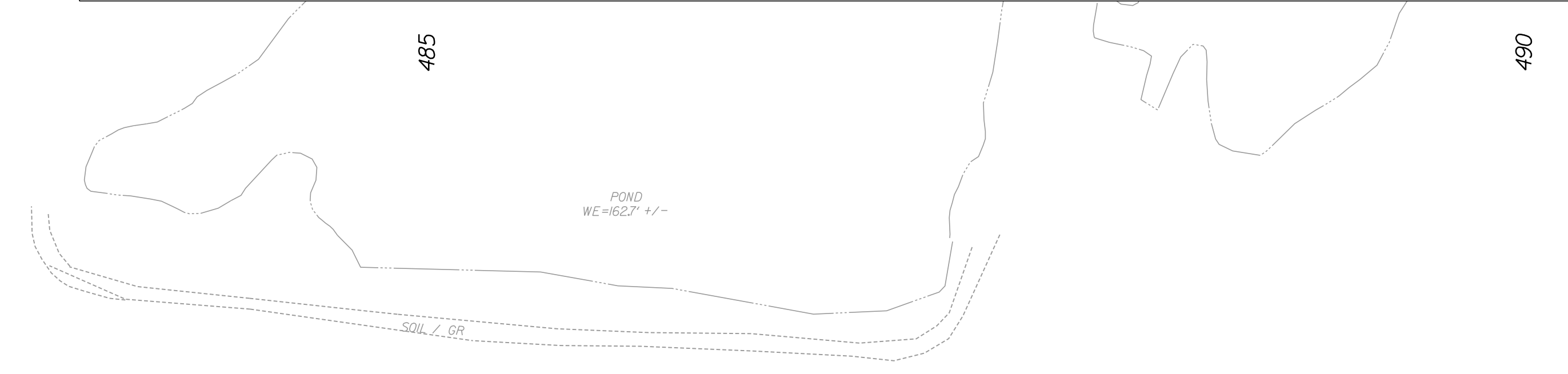
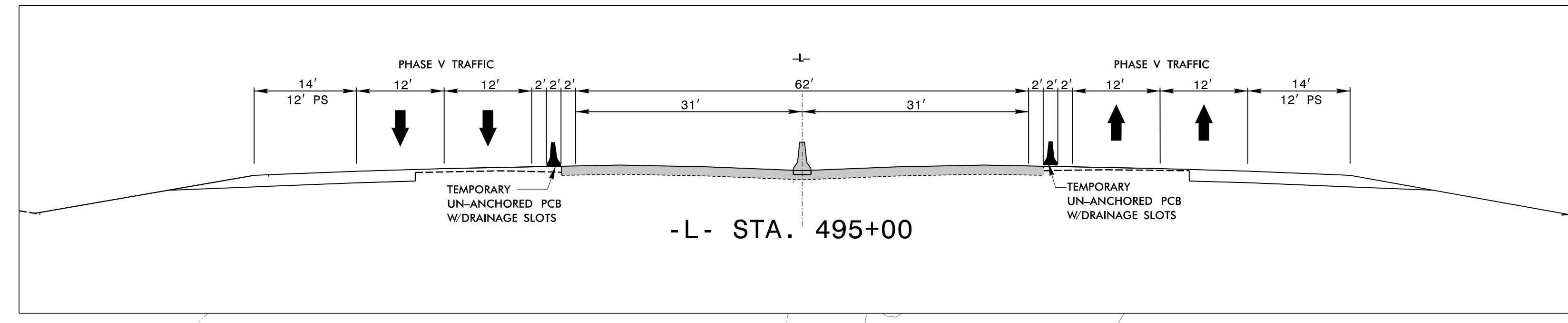
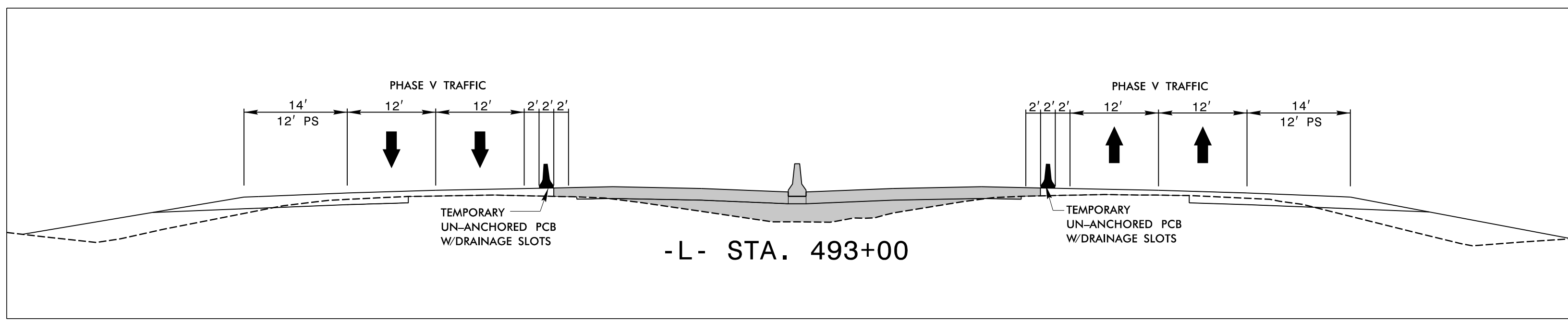
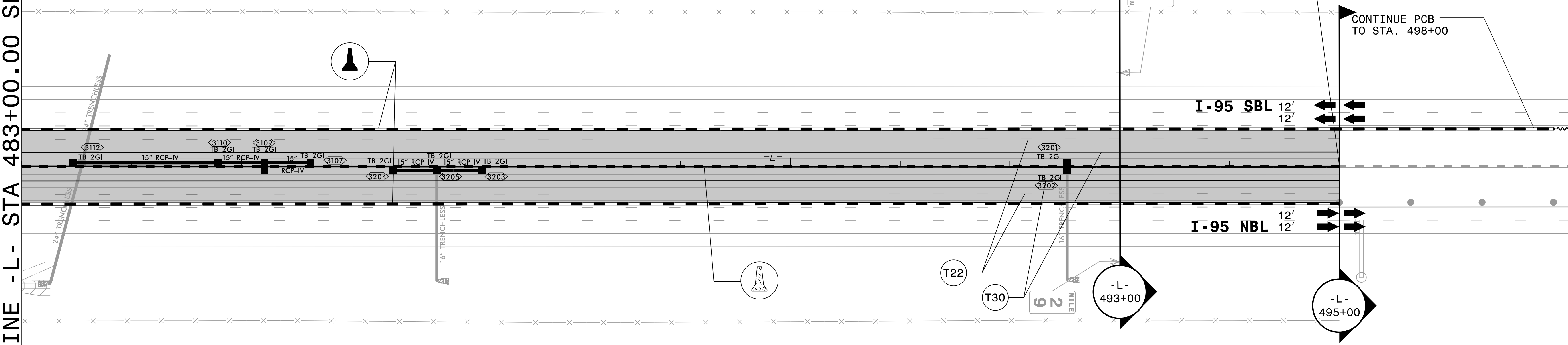


MATCHLINE -L- STA 483+00.00 SEE SHEET TMP-200



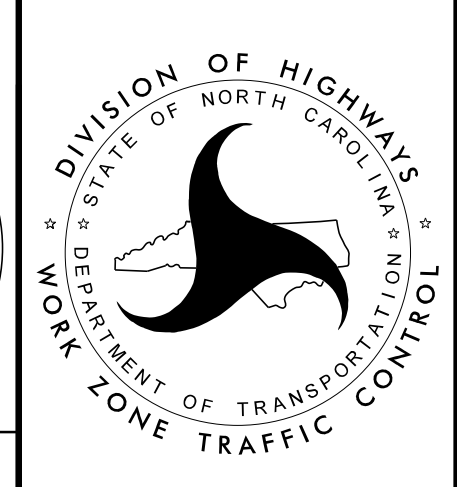
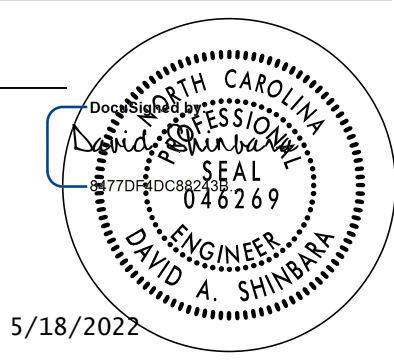
END TIP PROJECT I-5987A
 -L- STA 495+00.00
 TIE TO TIP PROJECT I-5987B SECTION 1, PHASE 5
 -L- STA 495+00.00



4/12/2022 X:\Raleigh\20-0629.001 - I-5987A TCP Sec IN\05-CAD\I-5987A\TrafficControl\TCP\PSHV\Phase 5\I-5987A_TMP_psh201.dgn JAdorno

APPROVED: _____
 DATE: _____

5/18/2022



AMT A. MORTON THOMAS AND ASSOCIATES, INC.
 6131 FALLS OF NEUSE ROAD, SUITE 101 • RALEIGH, NC 27609
 (919) 855-9989 • NC LICENSE NO. F-1049
 WWW.AMTENGINEERING.COM

TEMPORARY TRAFFIC CONTROL PHASE V DETAIL

DOCUMENT NOT CONSIDERED FINAL UNLESS ALL SIGNATURES COMPLETED