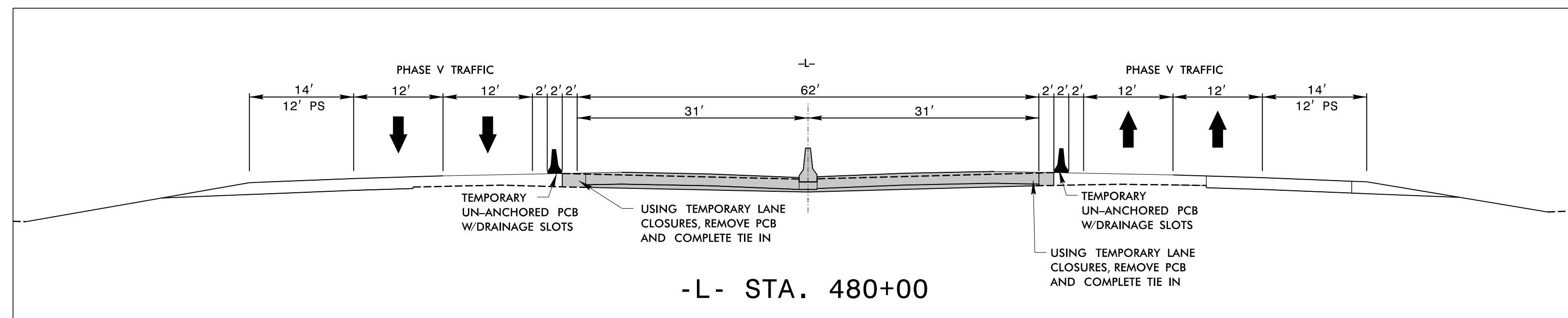
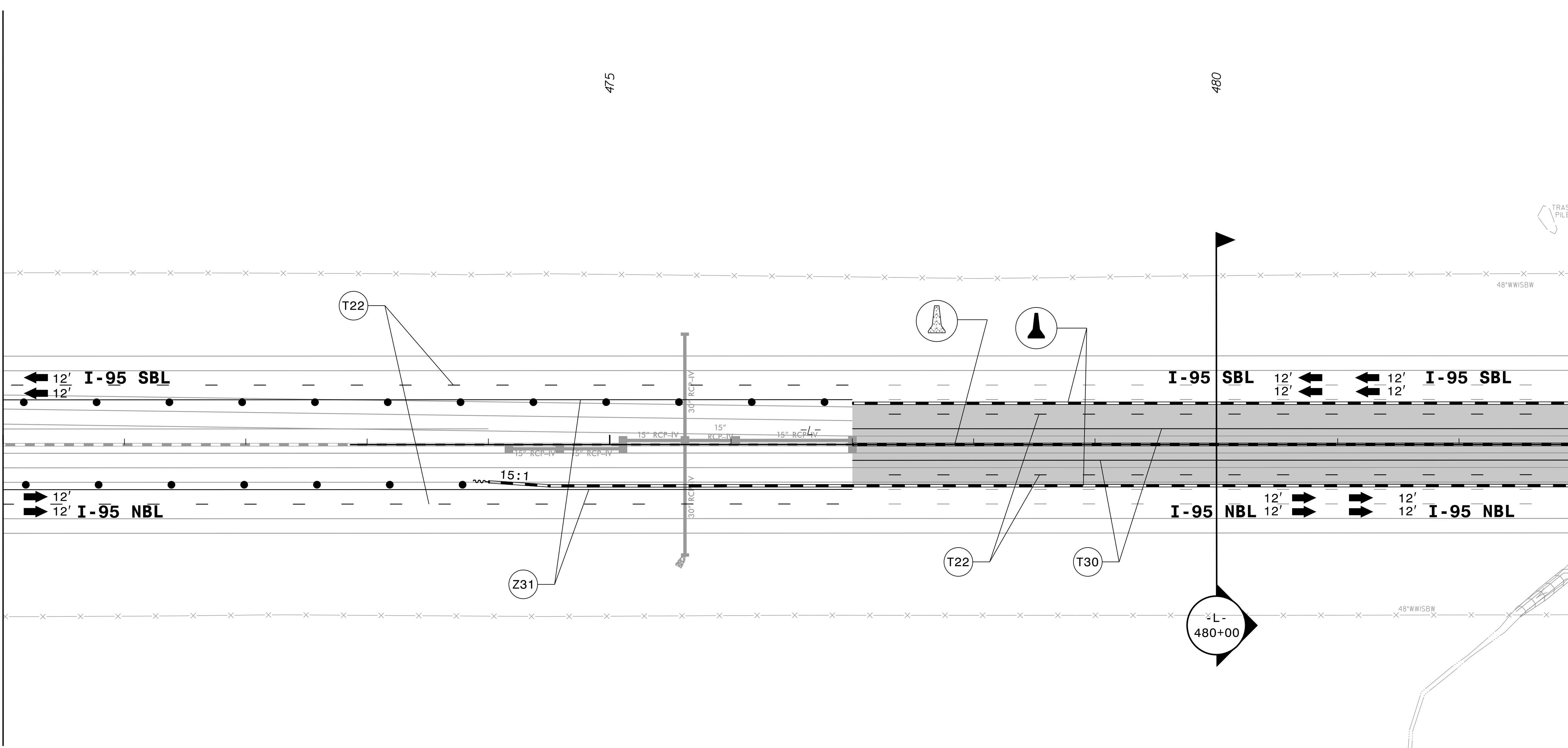


MATCHLINE -L- STA 470+00.00 SEE SHEET TMP-199

MATCHLINE -L- STA 483+00.00 SEE SHEET TMP-201



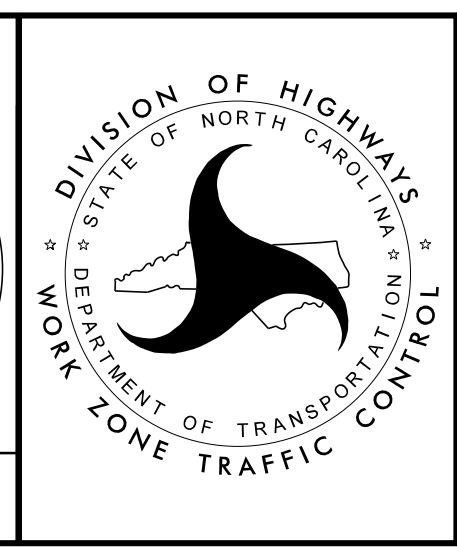
4/14/2022 X:\Raleigh\20-0629.001 - I-5987A TCP Sec IN\05-CAD\I-5987A\TrafficControl\TCP\PSHV\Phase 5\I-5987A_TMP_psh200.dgn JAdorno

AMT A. MORTON THOMAS AND ASSOCIATES, INC.
6131 FALLS OF NEUSE ROAD, SUITE 101 • RALEIGH, NC 27609
(919) 855-9989 • NC LICENSE NO. F-1049
WWW.AMTENGINEERING.COM

APPROVED: _____
DATE: _____

5/18/2022

**DOCUMENT NOT CONSIDERED FINAL
UNLESS ALL SIGNATURES COMPLETED**



**TEMPORARY TRAFFIC CONTROL
PHASE V DETAIL**