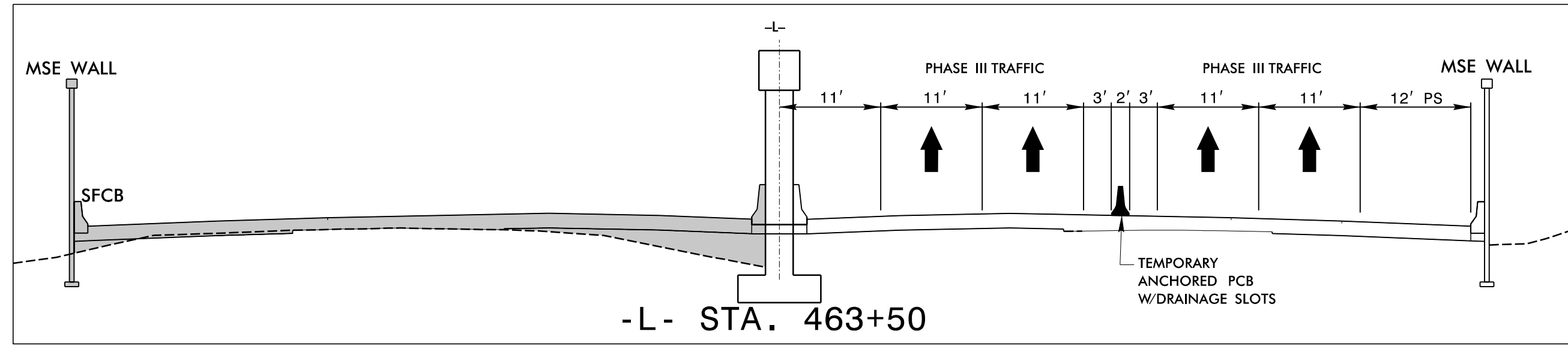
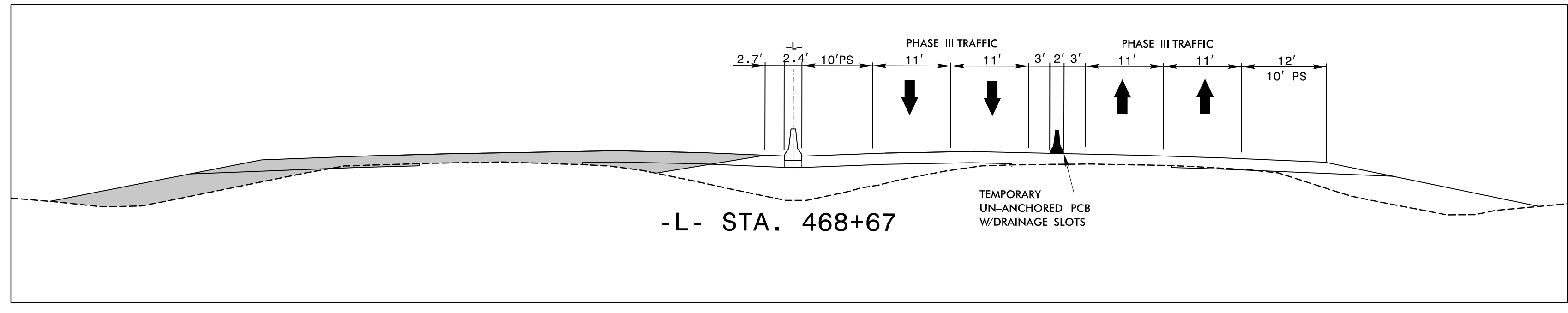
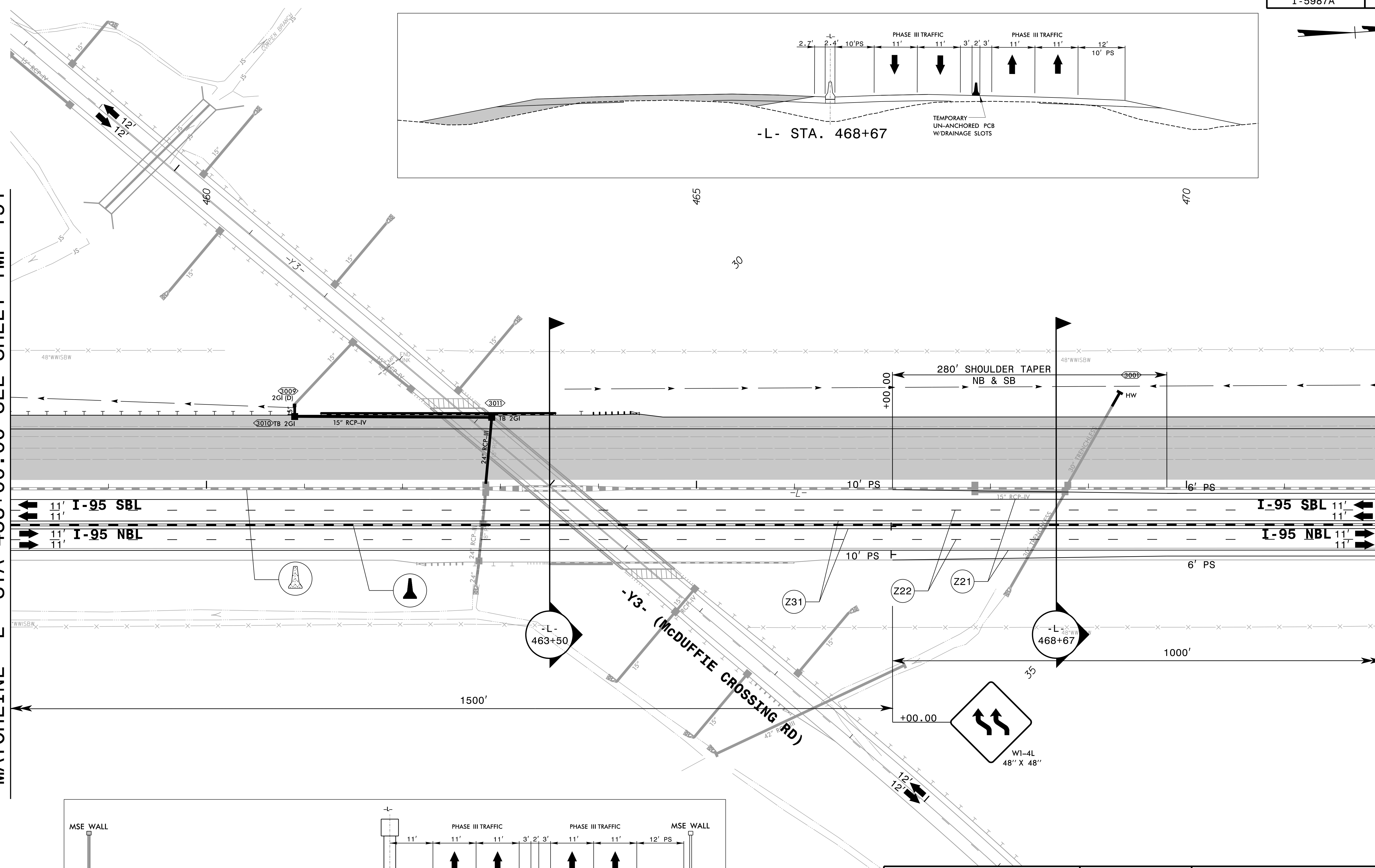


MATCHLINE -L- STA 458+00.00 SEE SHEET TMP-191

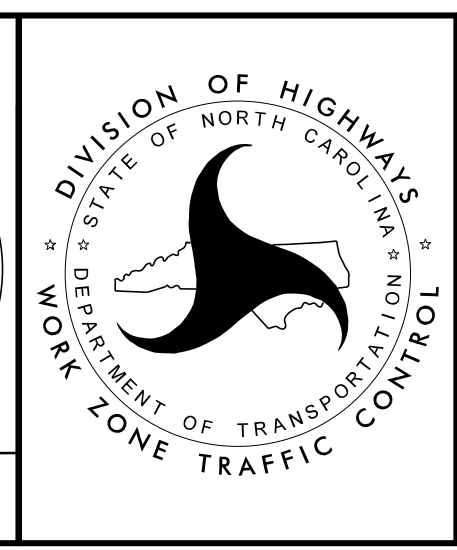
MATCHLINE -L- STA 472+00.00 SEE SHEET TMP-193



APPROVED: _____
 DATE: 04/12/2022

5/18/2022

**DOCUMENT NOT CONSIDERED FINAL
UNLESS ALL SIGNATURES COMPLETED**



**TEMPORARY TRAFFIC CONTROL
PHASE III DETAIL**

4/12/2022
 X:\Raleigh\20-0629.001 - I-5987A TCP Sec II\05-CAD\I-5987A\TrafficControl\PSHV\Phase 3\I-5987A_TMP_psh192.dgn
 JAdorno