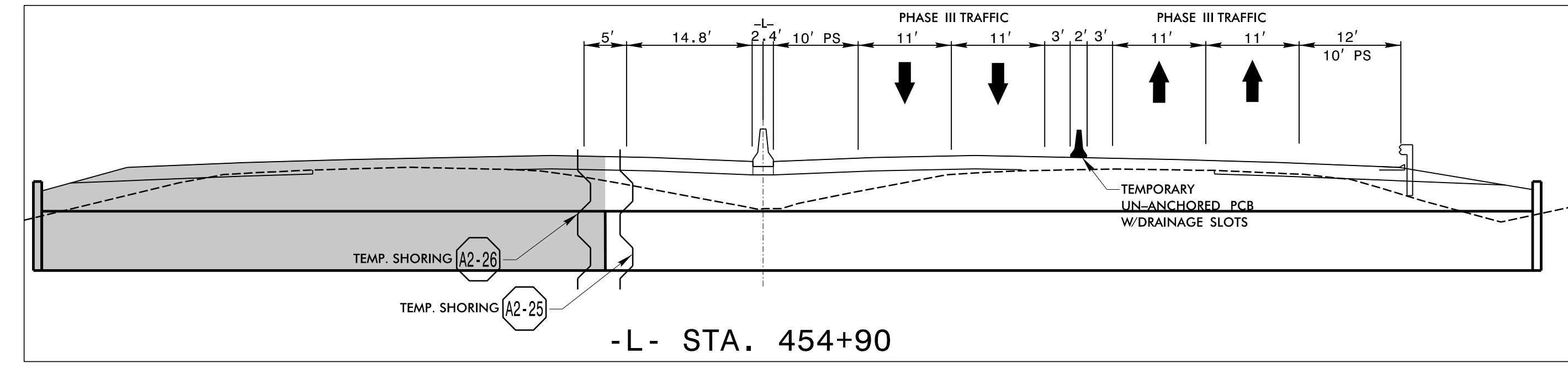


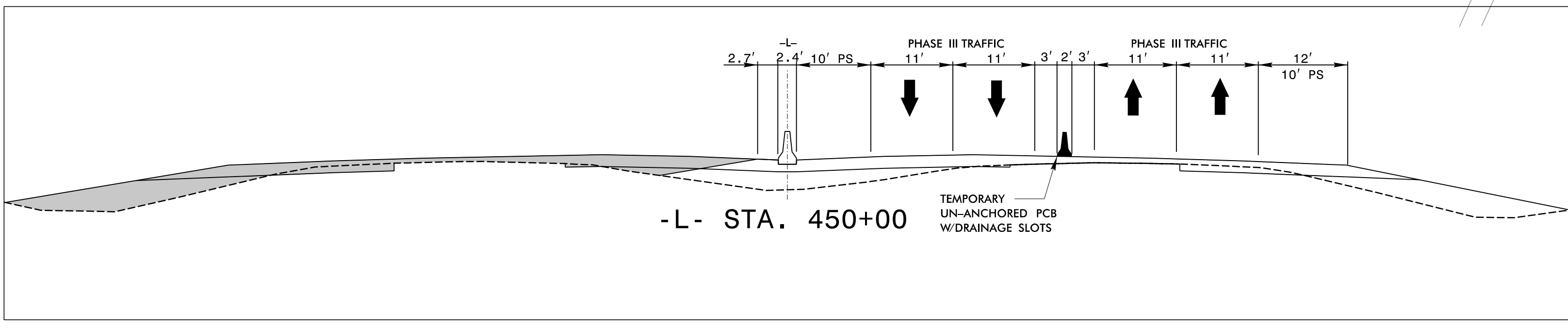
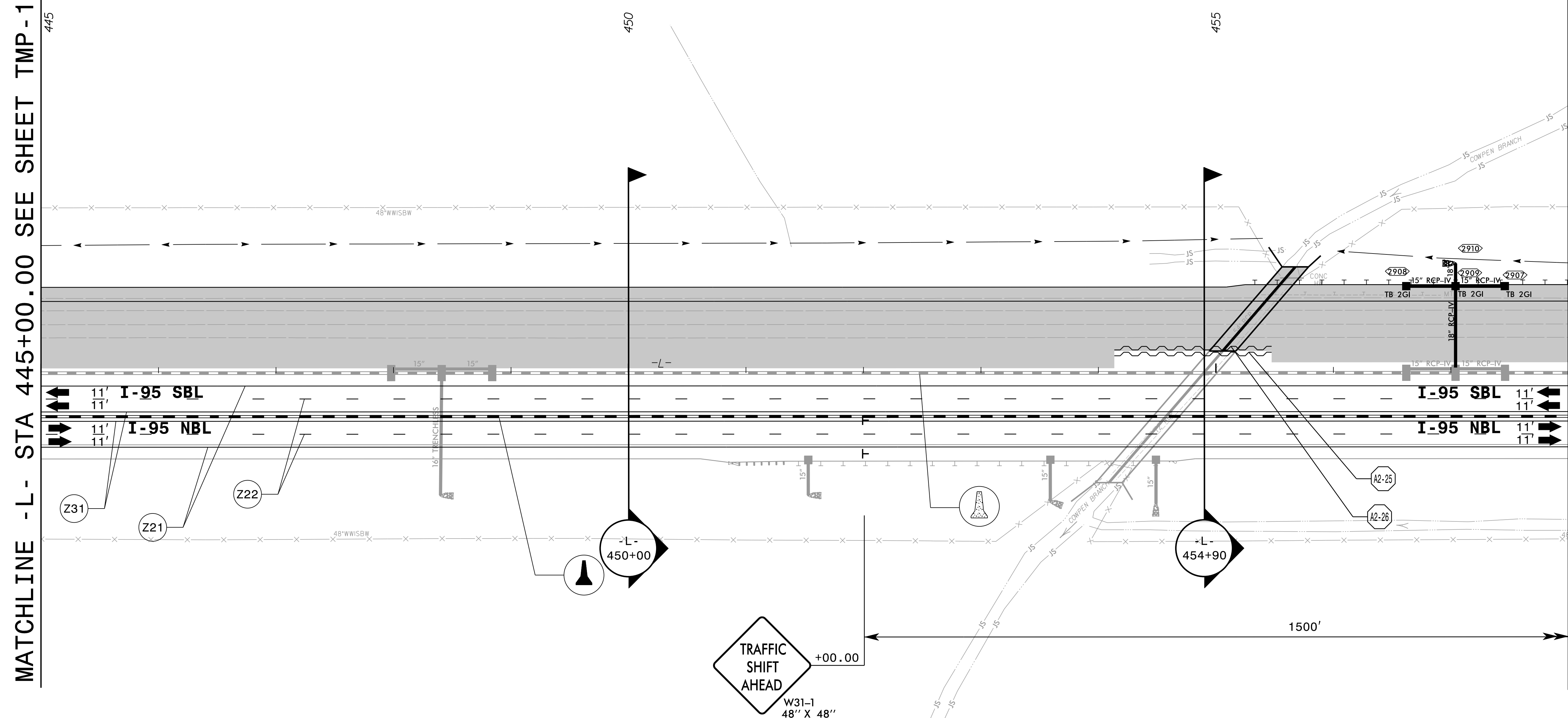
A2-25 QUANTITY = 728 SQ.FT.
 TEMPORARY SHORING
 FROM -L- STA. 454+74, -4.0'
 TO -L- STA. 455+47, -4.0'
 (SEE SHEET TMP-2TS8 FOR
 TEMPORARY SHORING NOTES)

A2-26 QUANTITY = 728 SQ.FT.
 TEMPORARY SHORING
 FROM -L- STA. 454+74, -9.0'
 TO -L- STA. 455+47, -9.0'
 (SEE SHEET TMP-2TS8 FOR
 TEMPORARY SHORING NOTES)



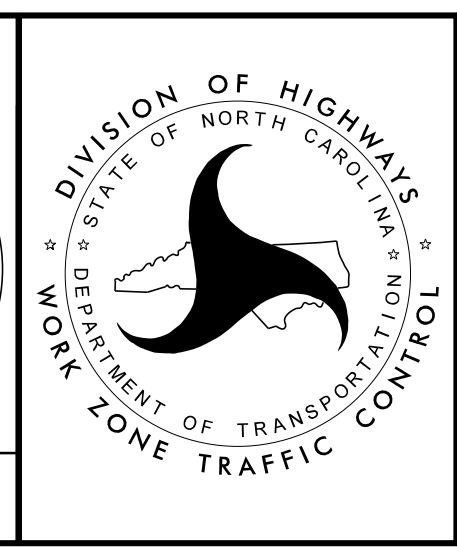
MATCHLINE -L- STA 445+00.00 SEE SHEET TMP-190

MATCHLINE -L- STA 458+00.00 SEE SHEET TMP-192



APPROVED: _____
 DATE: 04/12/2022

DAVID A. SHIBATA
 PROFESSIONAL ENGINEER
 STATE OF NORTH CAROLINA
 LICENSE NO. 48219
 5/18/2022



**TEMPORARY TRAFFIC CONTROL
 PHASE III DETAIL**