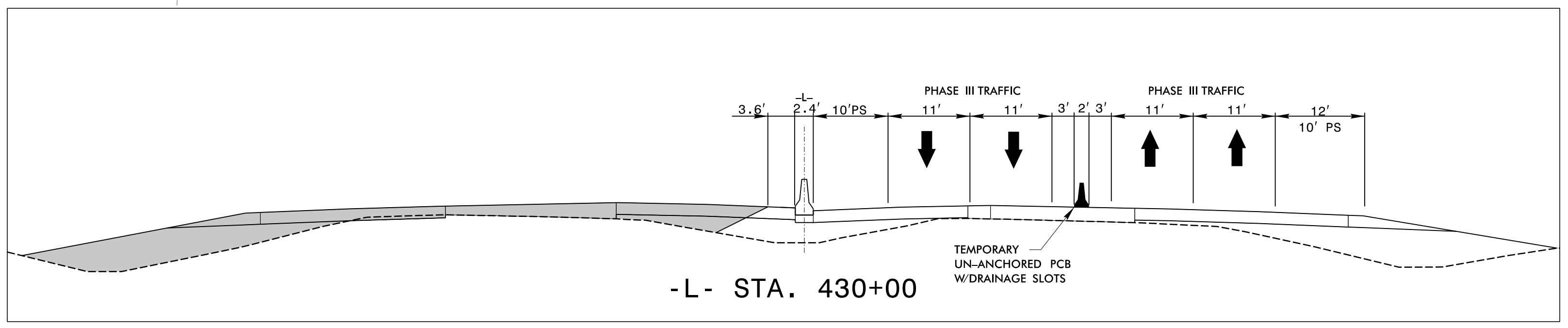
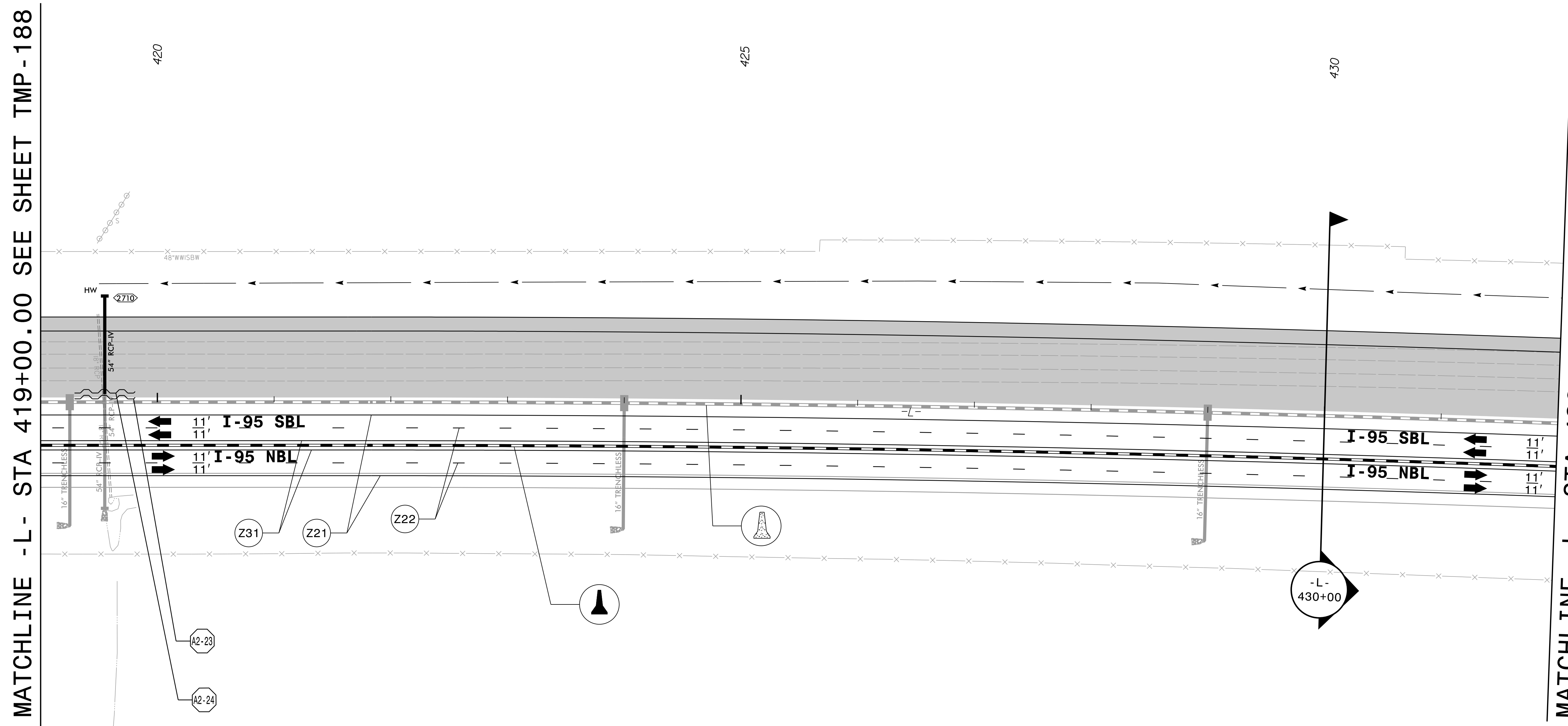


A2-23 QUANTITY = 373 SQ.FT.
 TEMPORARY SHORING
 FROM -L- STA. 419+29, -4.0'
 TO -L- STA. 419+81, -4.0'
 (SEE SHEET TMP-2TS7 FOR
 TEMPORARY SHORING NOTES)

A2-24 QUANTITY = 373 SQ.FT.
 TEMPORARY SHORING
 FROM -L- STA. 419+29, -9.0'
 TO -L- STA. 419+81, -9.0'
 (SEE SHEET TMP-2TS7 FOR
 TEMPORARY SHORING NOTES)

MATCHLINE -L- STA 419+00.00 SEE SHEET TMP-188

MATCHLINE -L- STA 432+00.00 SEE SHEET TMP-190

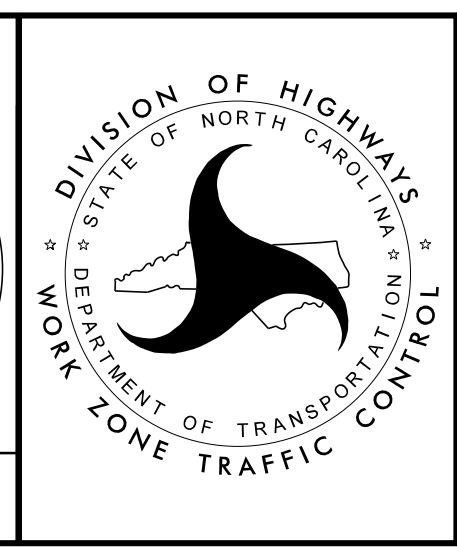


4/12/2022 X:\Raleigh\20-0629.001 - I-5987A TCP Sec II\05-CAD\I-5987A\TrafficControl\TCP\PSHV\Phase 3\I-5987A_TMP_psh189.dgn JAdorno

APPROVED: _____
 DATE: 04/12/2022

5/18/2022

**DOCUMENT NOT CONSIDERED FINAL
 UNLESS ALL SIGNATURES COMPLETED**



**TEMPORARY TRAFFIC CONTROL
 PHASE III DETAIL**