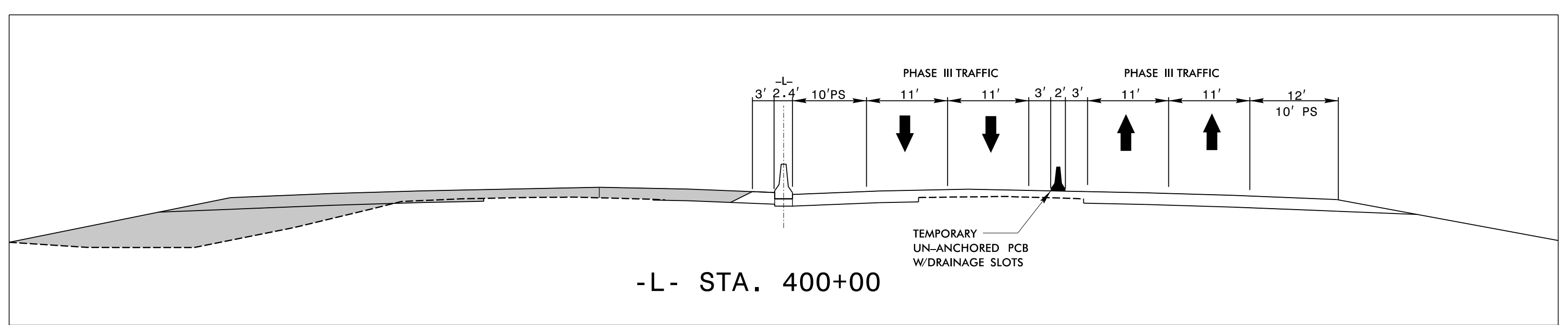
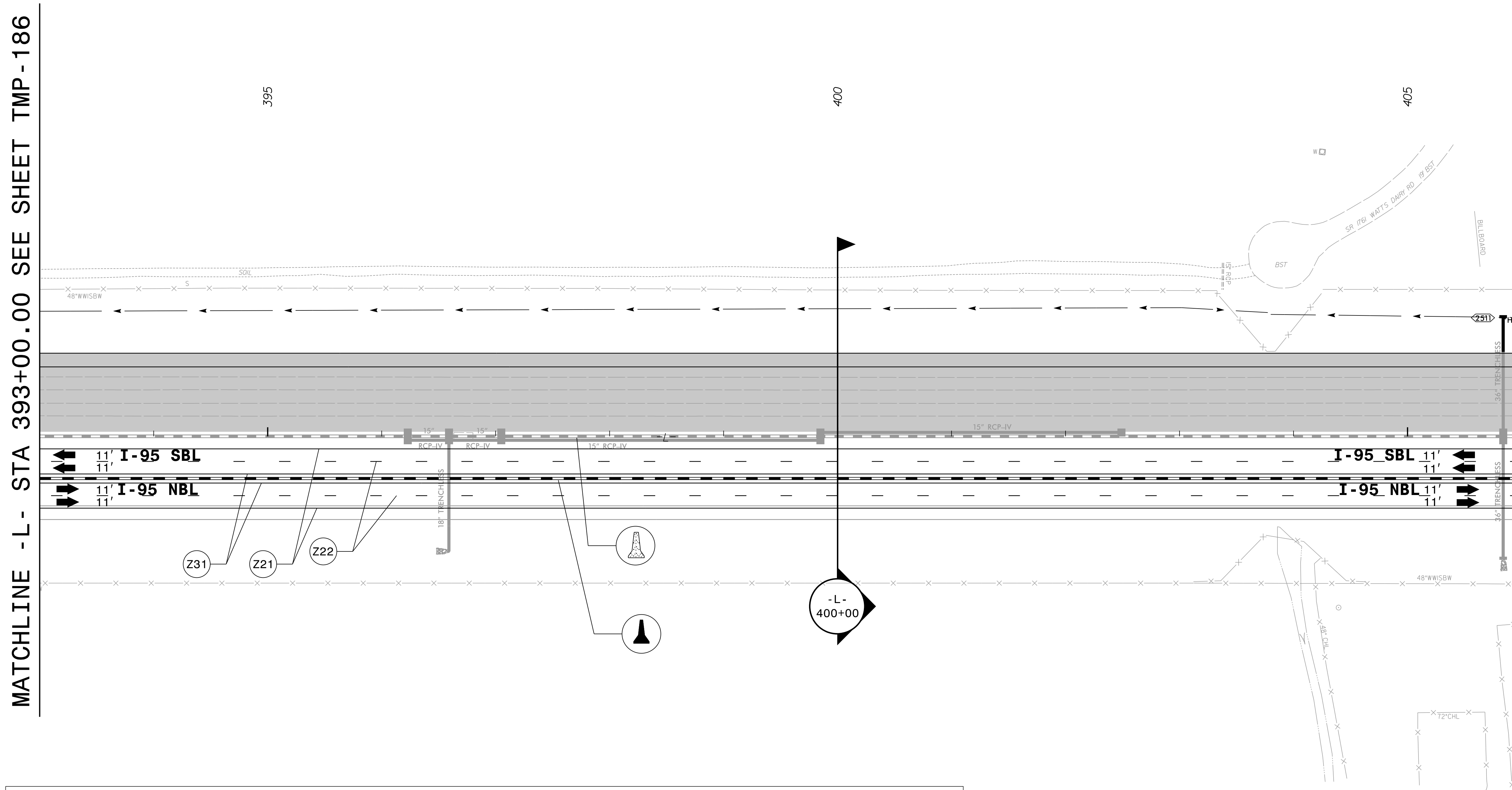


MATCHLINE -L- STA 393+00.00 SEE SHEET TMP-186

MATCHLINE -L- STA 406+00.00 SEE SHEET TMP-188



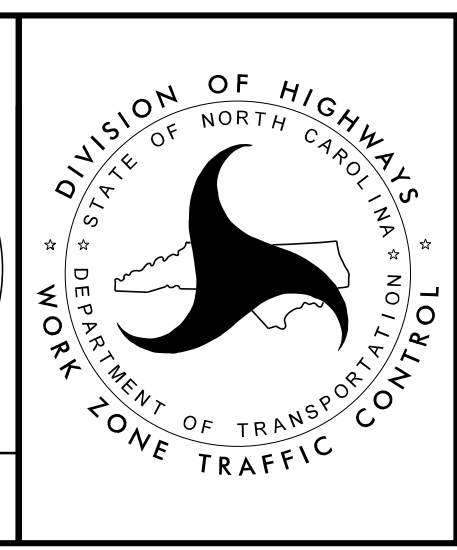
4/12/2022 X:\Raleigh\20-0629.001 - I-5987A TCP Sec II\05-CAD\I-5987A\TrafficControl\TCP\PSHV\Phase 3\I-5987A_TMP_pshi87.dgn JAdorno

AMT A. MORTON THOMAS AND ASSOCIATES, INC.
 6131 FALLS OF NEUSE ROAD, SUITE 101 • RALEIGH, NC 27609
 (919) 855-9989 • NC LICENSE NO. F-1049
 WWW.AMTENGINEERING.COM

APPROVED: _____
 DATE: 04/12/2022

5/18/2022

**DOCUMENT NOT CONSIDERED FINAL
 UNLESS ALL SIGNATURES COMPLETED**



**TEMPORARY TRAFFIC CONTROL
 PHASE III DETAIL**