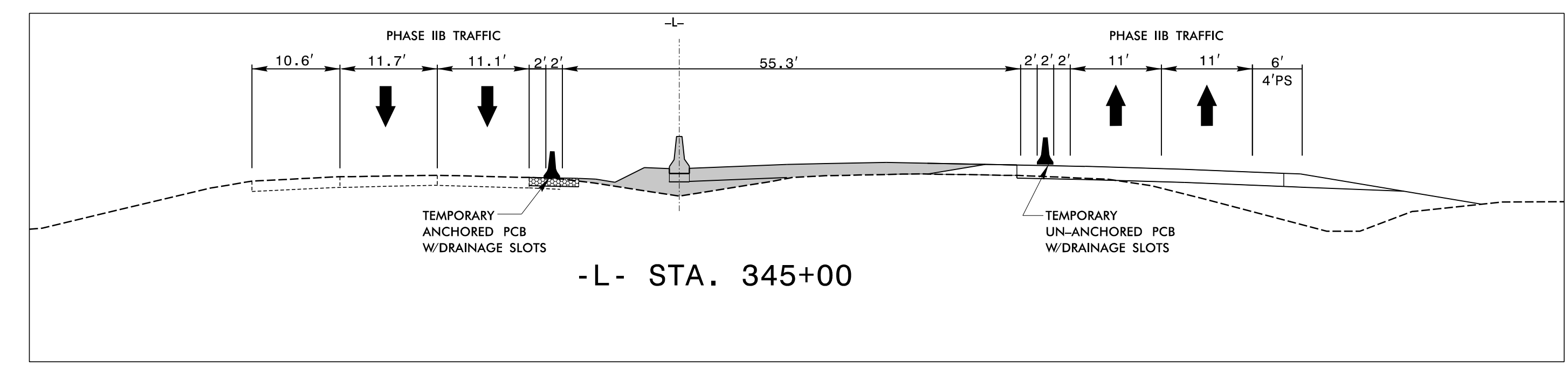
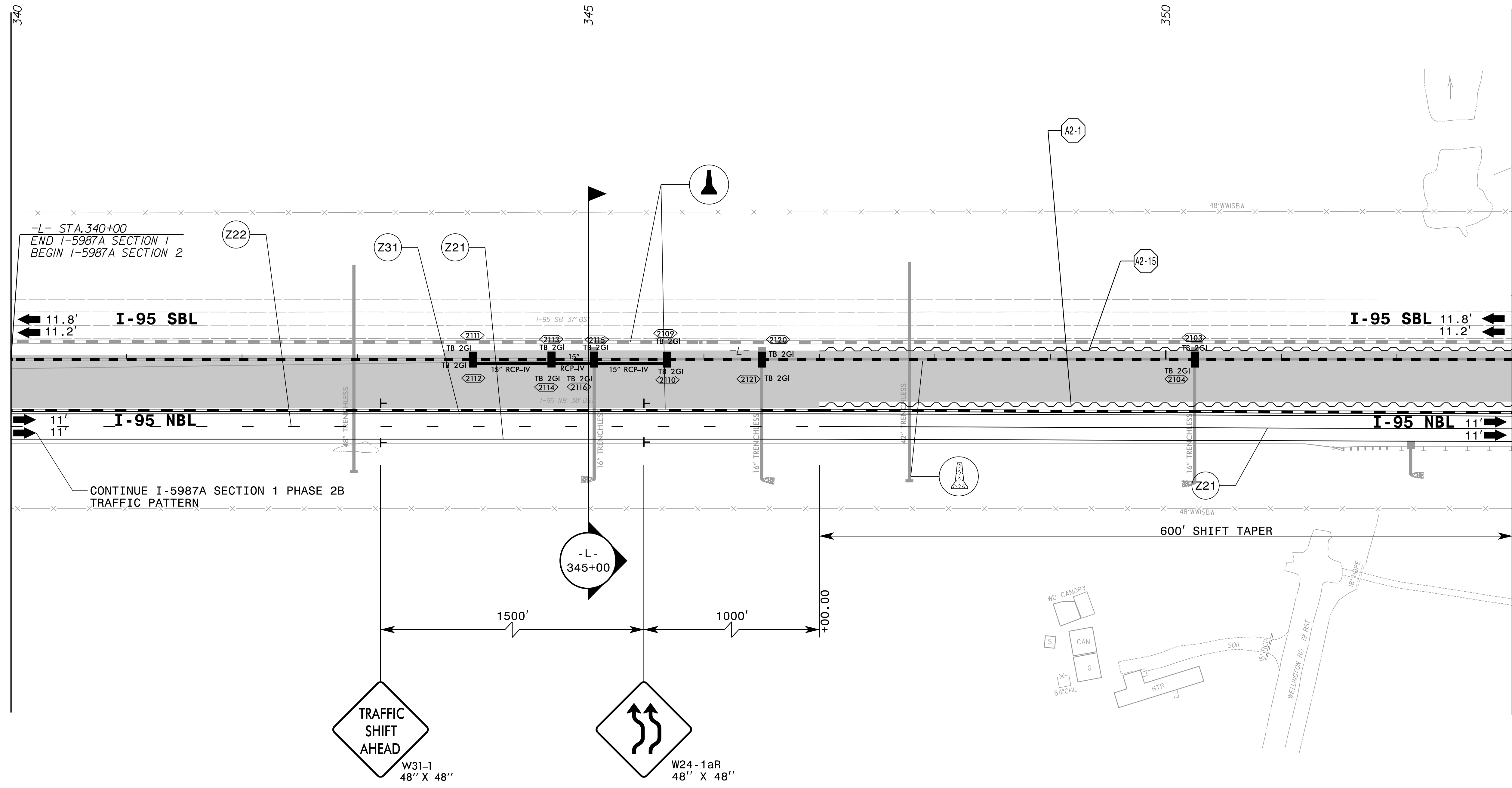


A2-1 QUANTITY = 8359 SQ. FT.
 TEMPORARY SHORING
 FROM -L- STA. 347+00, 39.0'
 TO -L- STA. 362+00, 39.0'
 (SEE SHEET TMP-2TS6 FOR
 TEMPORARY SHORING NOTES)

A2-15 QUANTITY = 8359 SQ. FT.
 TEMPORARY SHORING
 FROM -L- STA. 347+00, -9.0'
 TO -L- STA. 362+00, -9.0'
 (SEE SHEET TMP-2TS6 FOR
 TEMPORARY SHORING NOTES)



MATCHLINE -L- STA 340+00.00 SEE SHEET TMP-101
 END I-5987A SECTION 1 - BEGIN I-5987A SECTION 2

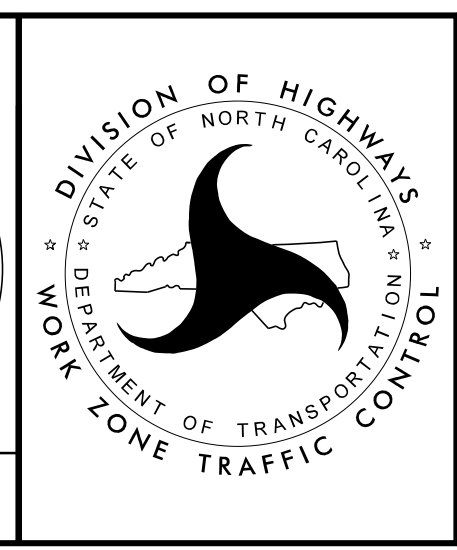


MATCHLINE -L- STA 353+00.00 SEE SHEET TMP-172

4/12/2022
 X:\Raleigh\20-0629.001 - I-5987A TCP Sec II\05-CAD\I-5987A\TrafficControl\CP\PSHV\Phase 2B\I-5987A-TMP_psh71.dgn
 JAdorno

APPROVED: _____
 DATE: 04/12/2022

**DOCUMENT NOT CONSIDERED FINAL
 UNLESS ALL SIGNATURES COMPLETED**



**TEMPORARY TRAFFIC CONTROL
 PHASE IIB DETAIL**