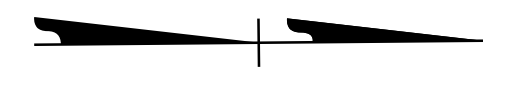


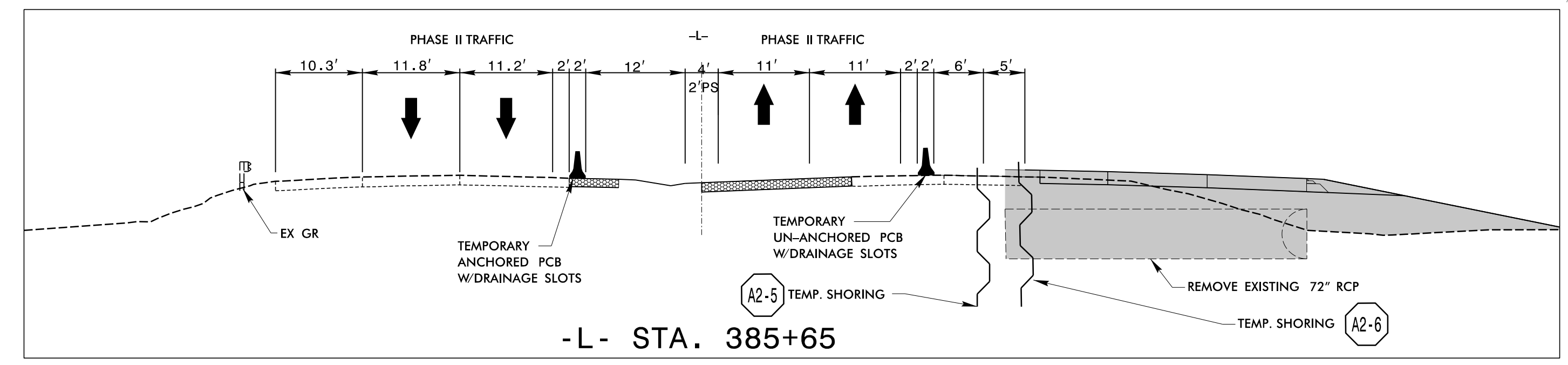
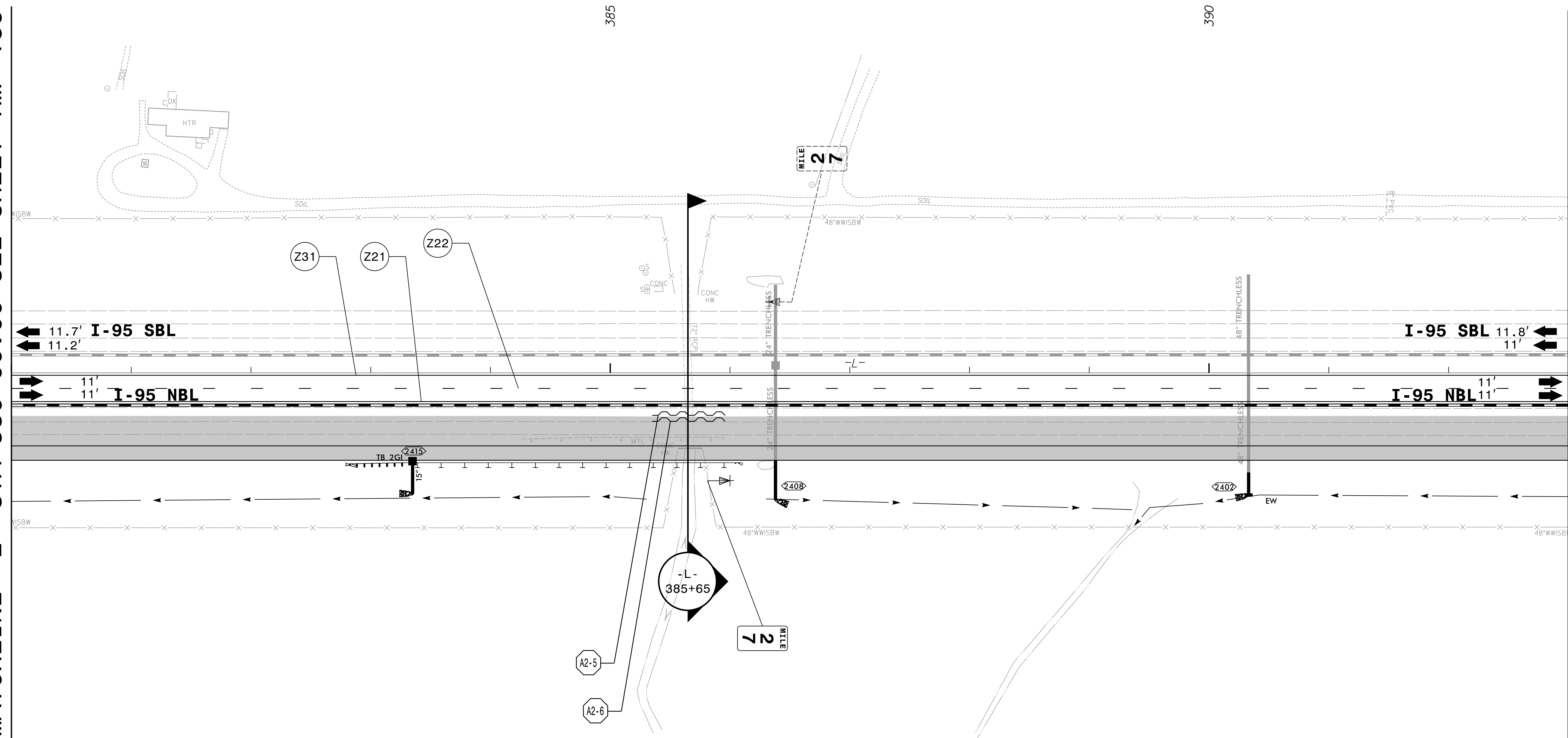
A2-5 QUANTITY = 499 SQ. FT.
 TEMPORARY SHORING
 FROM -L- STA. 385+35, 34.0'
 TO -L- STA. 385+96, 34.0'
 (SEE SHEET TMP-2TS5 FOR
 TEMPORARY SHORING NOTES)

A2-6 QUANTITY = 499 SQ. FT.
 TEMPORARY SHORING
 FROM -L- STA. 385+35, 39.0'
 TO -L- STA. 385+96, 39.0'
 (SEE SHEET TMP-2TS5 FOR
 TEMPORARY SHORING NOTES)



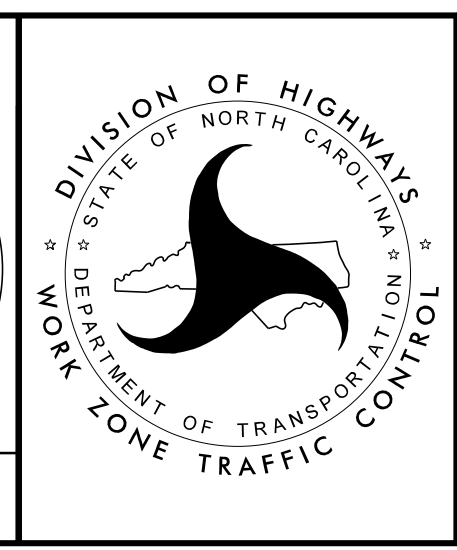
MATCHLINE -L- STA 380+00.00 SEE SHEET TMP-159

MATCHLINE -L- STA 393+00.00 SEE SHEET TMP-161



APPROVED: _____
 DATE: 04/12/2022

DAVID A. SHIBATA
 PROFESSIONAL ENGINEER
 SEAL 0482169
 5/18/2022



**TEMPORARY TRAFFIC CONTROL
 PHASE II DETAIL**

4/12/2022 X:\Raleigh\20-0629.001 - I-5987A TCP Sec II\05-CAD\I-5987A\TrafficControl\TCP\PSHV\Phase 2\I-5987A_TMP_psh160.dgn JAdorno