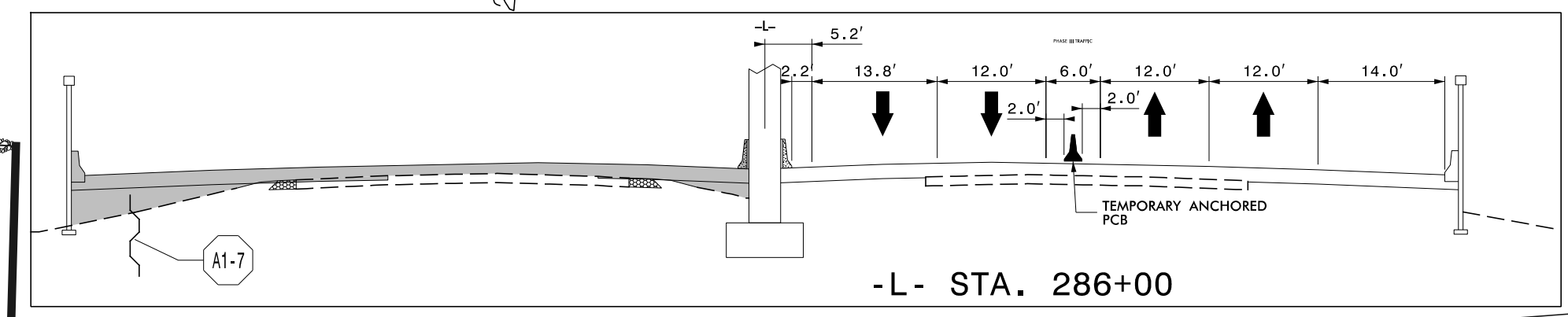
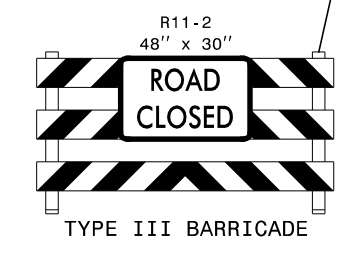


MATCHLINE -Y1A-
STA. 37+00.00
SEE SHEET TMP-131

UNCOVER SIGNS 510 AND 515 UNTIL
COMPLETION OF -Y1ARPB-.



MATCHLINE -L- STA. 284+00 SEE SHEET TMP-123



REMOVE BARRICADE
UPON COMPLETION
OF -Y1ARPB-

SHIFT/RELOCATE SIGNS LOCATED BEHIND
PCB WITHIN THE WORK AREA AS NEEDED
TO COMPLETE THE WORK AROUND THEM.

INSTALL PERFORMANCE IN
ACCORDANCE WITH FINAL
PAVEMENT MARKING PLANS
ON COMPLETED -Y1ARPA-

WEIGH
STATION
1 MILE

RELOCATE ONTO
TEMPORARY SUPPORTS

END ANCHORED PCB

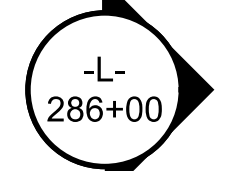
13.8'
12' I-95 SBL
12' I-95 NBL
12'

13.8'
I-95 SBL 13'
I-95 NBL 13'
12'

EXIT 25

420' LANE SHIFT
(L = 70x6)

TEMPORARY PCB W/
DRAINAGE SLOTS
AND TEMPORARY
GLARE SCREEN
(ANCHORED)



4/26/2022
R:\TrafficControl\TCP\B987a_tcp_secd_phase_3_psh\24.dgn
User:jtownsend

-SR2- (RUSS RD)

MATCHLINE -Y1A- STA. 46+25.00 SEE SHEET TMP-133

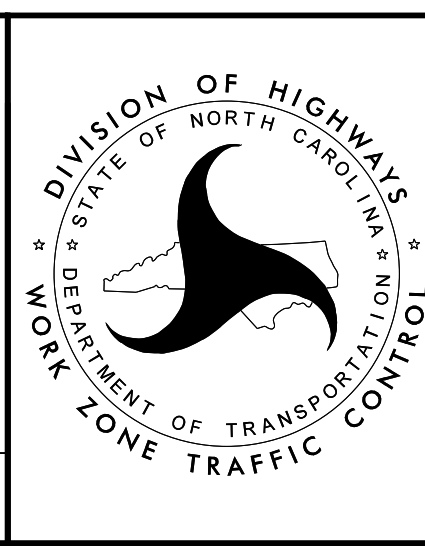
MATCHLINE -L- STA. 298+00 SEE SHEET TMP-125

TRAFFIC IS IN FINAL PATTERN ON -SR2-,
-Y1A-, -Y1ARAB1-, -Y1ARAB2-, -Y1ARPB-,
-Y1ARPC-, AND -Y1ARPD-. NO WORK ON
-SR2-, -Y1A-, -Y1ARAB1-, -Y1ARAB2-,
-Y1ARPB-, -Y1ARPC-, AND -Y1ARPD- ON
THIS SHEET.

APPROVED: _____
DATE: _____

5/18/2022

**DOCUMENT NOT CONSIDERED FINAL
UNLESS ALL SIGNATURES COMPLETED**



TEMPORARY TRAFFIC CONTROL
PHASE III DETAIL

