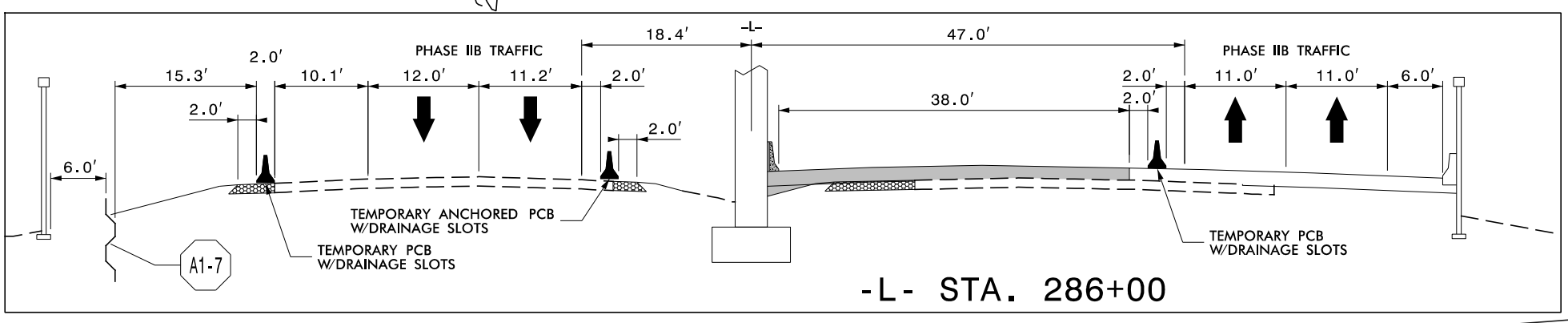
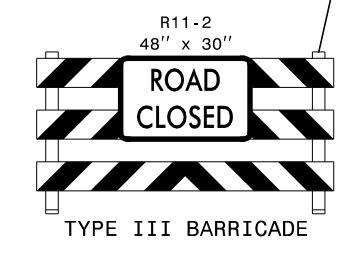


MATCHLINE -Y1A-  
STA. 37 + 00.00  
SEE SHEET TMP-105



-Y1ARPA-



INSTALL FINAL SIGNS ON -Y1A-, -Y1ARPA-, -Y1ARPC-, -Y1ARPD-, -Y1ARAB1-, AND -Y1ARAB2- IN ACCORDANCE WITH FINAL SIGNING PLANS. COVER SIGNS 510 AND 515 UNTIL COMPLETION OF -Y1ARPB-.

INSTALL PAINT MARKINGS IN ACCORDANCE WITH FINAL PAVEMENT MARKING PLANS ON COMPLETED -Y1A- (US 301) AND -Y1ARAB1-

ALL -L- (I-95) CROSS PIPES ON THIS SHEET ARE INSTALLED USING TRENCHLESS METHODS UNLESS NOTED OTHERWISE.

WEIGH  
STATION  
1 MILE

MATCHLINE -L- STA. 284 + 00 SEE SHEET TMP-97

MATCHLINE -L- STA. 298 + 00 SEE SHEET TMP-99

I-95 SBL

I-95 SBL

I-95 NBL

I-95 NBL

INSTALL PERFORMANCE MARKINGS IN ACCORDANCE WITH FINAL PAVEMENT MARKING PLANS ON COMPLETED -Y1ARPC-

INSTALL COLD APPLIED MARKINGS IN ACCORDANCE WITH FINAL PAVEMENT MARKING PLANS ON CONCRETE BRIDGE DECK

INSTALL PAINT MARKINGS IN ACCORDANCE WITH FINAL PAVEMENT MARKING PLANS ON COMPLETED -Y1A- (US 301) AND -Y1ARAB2-

TEMPORARY PCB W/  
DRAINAGE SLOTS

INSTALL PERFORMANCE MARKINGS IN ACCORDANCE WITH FINAL PAVEMENT MARKING PLANS ON COMPLETED -Y1ARPD-

-SR2- (RUSS RD)

MATCHLINE -Y1A- STA. 46 + 25.00 SEE SHEET TMP-107

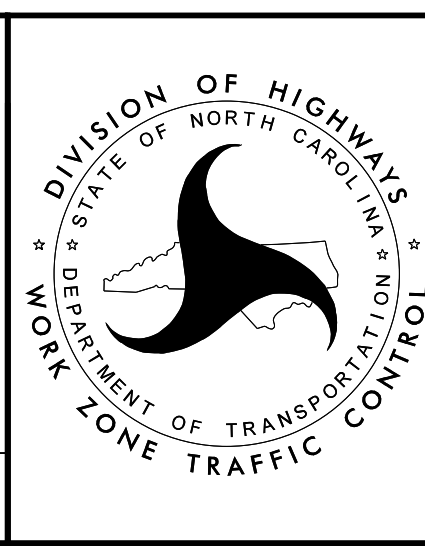
4/26/2022  
R:\TrafficControl\TrafficControl\I5987a\_tcp\_secd\_phase\_2b\_pst098.dgn  
User:jtownsend



APPROVED: \_\_\_\_\_  
DATE: \_\_\_\_\_

5/18/2022

**DOCUMENT NOT CONSIDERED FINAL  
UNLESS ALL SIGNATURES COMPLETED**



TEMPORARY TRAFFIC CONTROL  
PHASE IIB DETAIL