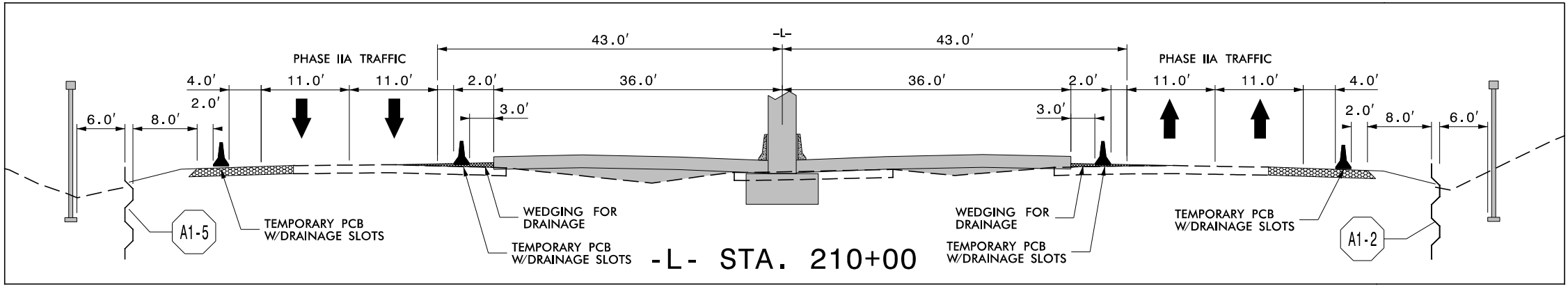
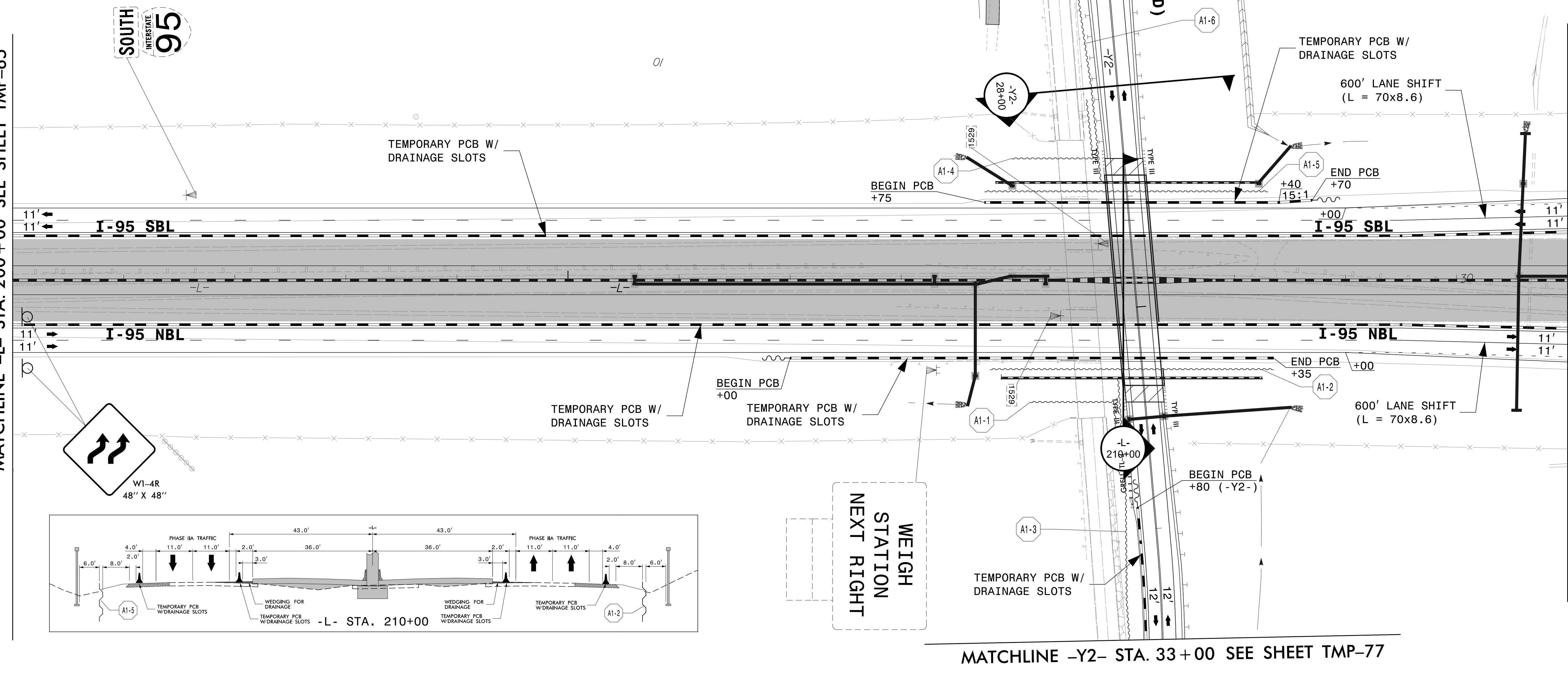


MATCHLINE -Y2- STA. 25+00 SEE SHEET TMP-76

MATCHLINE -L- STA. 200+00 SEE SHEET TMP-65

MATCHLINE -L- STA. 214+00 SEE SHEET TMP-67



MATCHLINE -Y2- STA. 33+00 SEE SHEET TMP-77

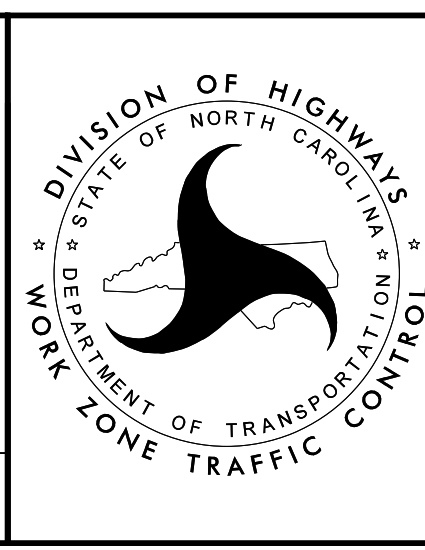
4/26/2022 R:\TrafficControl\TCP\B987a_tcp_secd_phase_2a_pst066.dgn User:townsend



APPROVED: _____
 DATE: _____

5/18/2022

**DOCUMENT NOT CONSIDERED FINAL
 UNLESS ALL SIGNATURES COMPLETED**



**TEMPORARY TRAFFIC CONTROL
 PHASE IIA DETAIL**