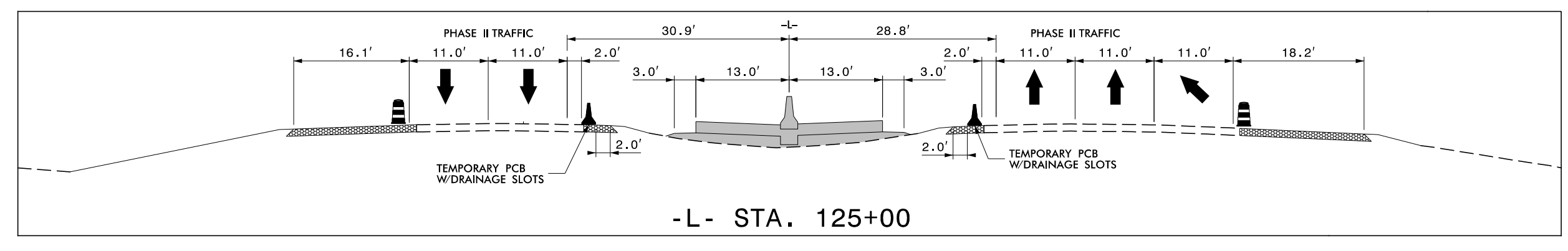


MATCHLINE -L- STA. 116 + 00 SEE SHEET TMP-33

MATCHLINE -L- STA. 130 + 00 SEE SHEET TMP-35



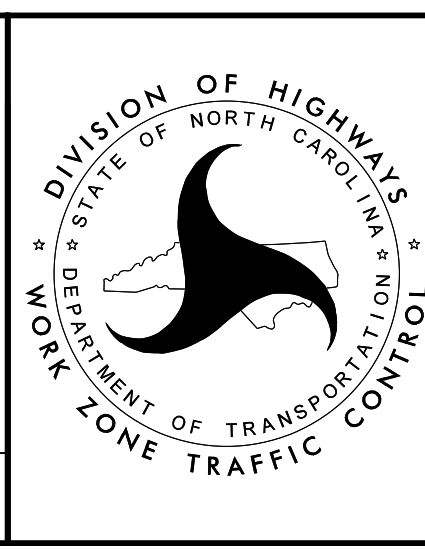
4/26/2022 R:\TrafficControl\TCP\B987a_tcp_secd_phase_2_psh034.dgn User:jtownsend



APPROVED: _____
 DATE: _____

JOHN G. TOWNSEND
 ENGINEER
 5/18/2022

**DOCUMENT NOT CONSIDERED FINAL
 UNLESS ALL SIGNATURES COMPLETED**



**TEMPORARY TRAFFIC CONTROL
 PHASE II DETAIL**