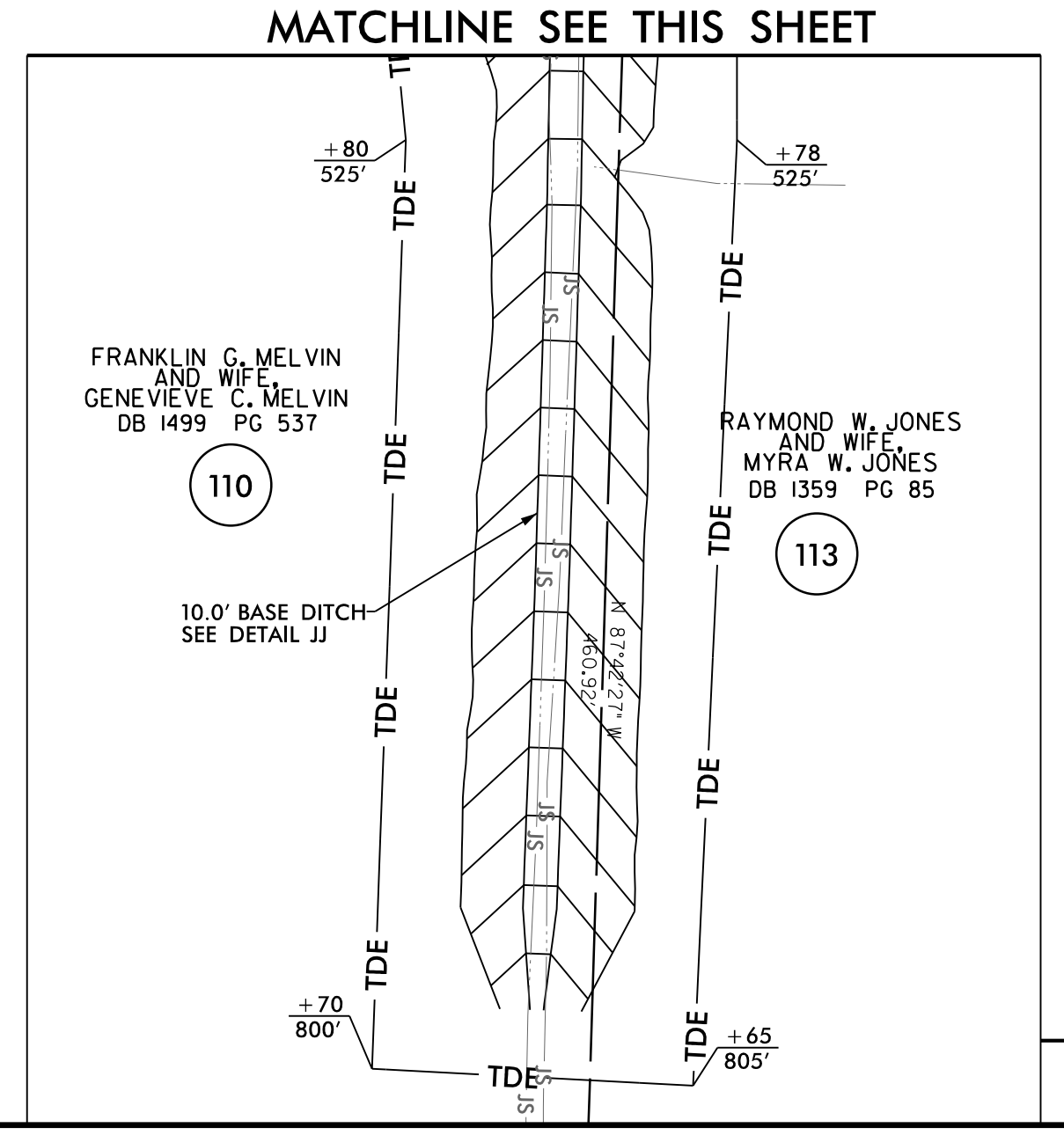
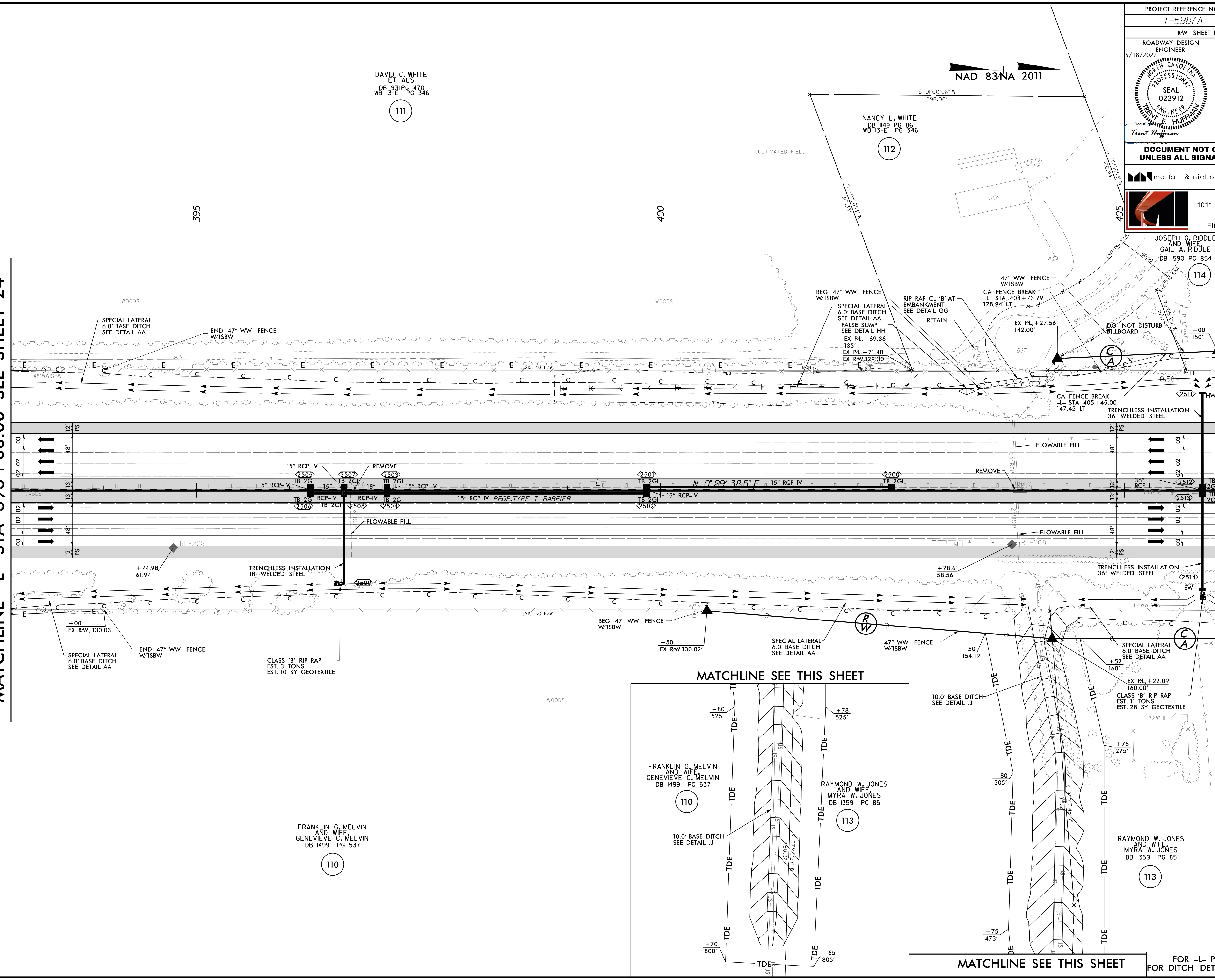


8/17/2022

PROJECT REFERENCE NO. <b>1-5987A</b>		SHEET NO. <b>25</b>	
RW SHEET NO.			
ROADWAY DESIGN ENGINEER 5/18/2022 <b>DAVID C. WHITE</b> SEAL 023912		HYDRAULICS ENGINEER 5/19/2022 <b>LINDA M. JOHNS</b> SEAL 33246	
<p><b>DOCUMENT NOT CONSIDERED FINAL UNLESS ALL SIGNATURES COMPLETED</b></p> <p><b>moftatt &amp; nichol</b> 4100 FALLS OF NEUSE ROAD, SUITE 300 RALEIGH, NORTH CAROLINA 27609 (919) 781-4626 VOICE (919) 781-4869 FAX NC License No.: F-0105</p> <p><b>MI ENGINEERING</b> 1011 SCHAUB DRIVE, SUITE 100 RALEIGH, NC 27606 (919) 851-6606 FIRM PE NUMBER : P-0671</p>			

MATCHLINE -L- STA 393 + 00.00 SEE SHEET 24

MATCHLINE -L- STA 406 + 00.00 SEE SHEET 26



DAVID C. WHITE  
ET ALS  
DB 931 PG 470  
WB 13-E PG 346  
**111**

NANCY L. WHITE  
DB 149 PG 86  
WB 13-E PG 346  
**112**

JOSEPH G. RIDDLE  
AND WIFE  
GAIL A. RIDDLE  
DB 1590 PG 854  
**114**

FRANKLIN C. MELVIN  
AND WIFE  
GENEVIEVE C. MELVIN  
DB 1499 PG 537  
**110**

FRANKLIN C. MELVIN  
AND WIFE  
GENEVIEVE C. MELVIN  
DB 1499 PG 537  
**110**

RAYMOND W. JONES  
AND WIFE  
MYRA W. JONES  
DB 1359 PG 85  
**113**

RAYMOND W. JONES  
AND WIFE  
MYRA W. JONES  
DB 1359 PG 85  
**113**

5/2/2022  
D:\1125\0500\CAD\15987A\Roadway\Proj\15987A\_RDY\_PSH\_025.dgn  
moftatt