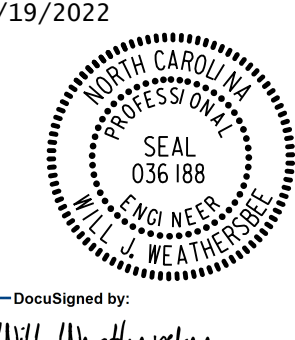

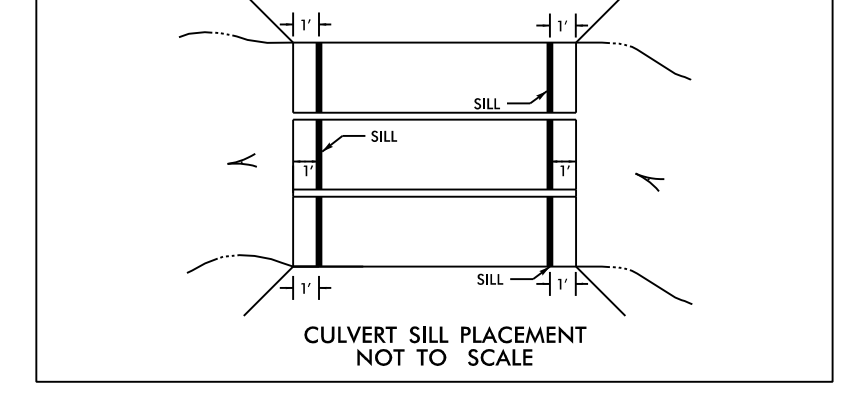
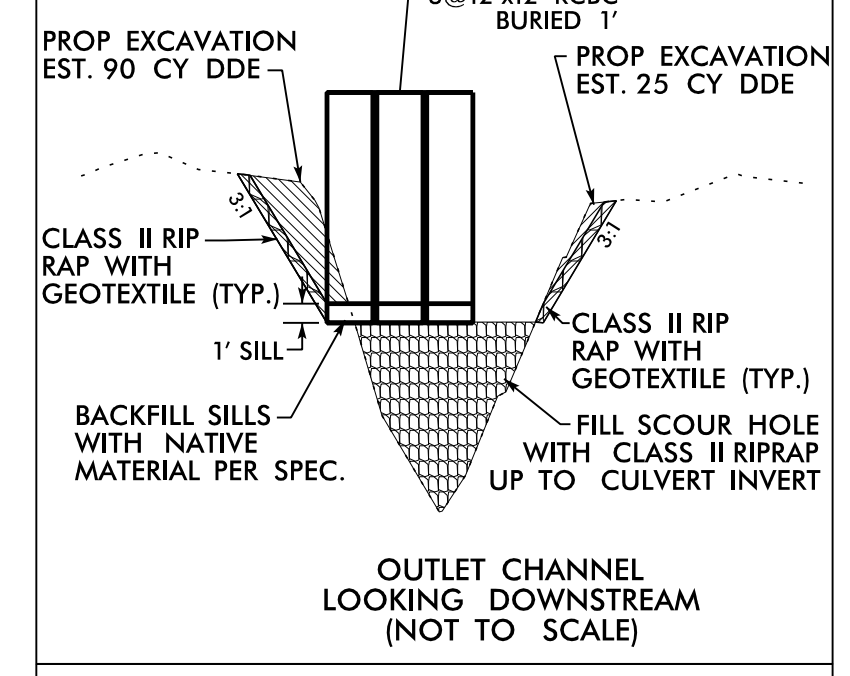
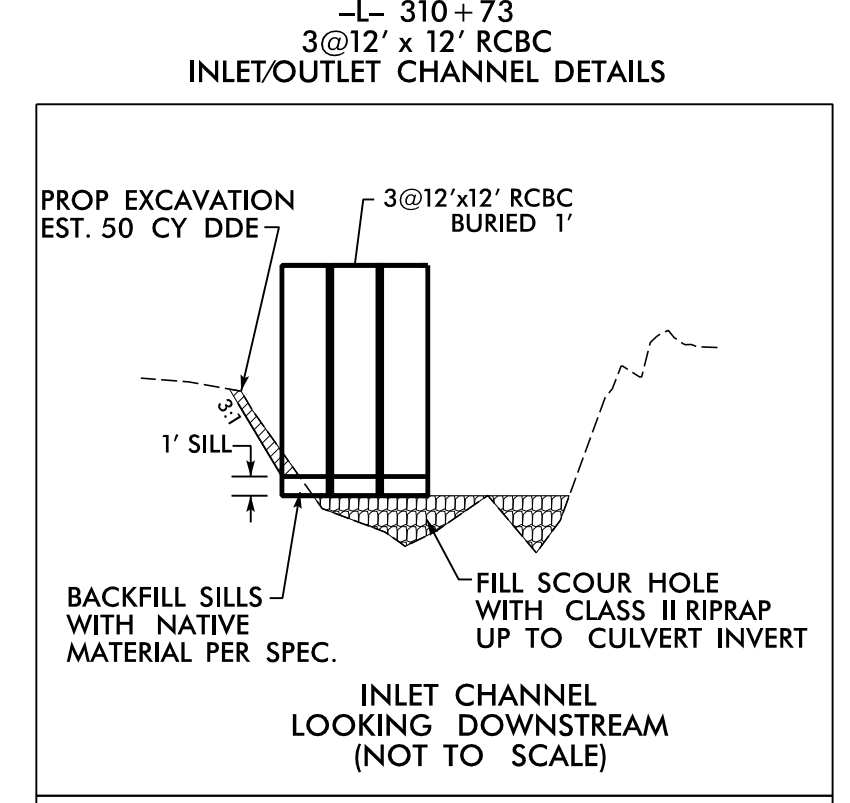
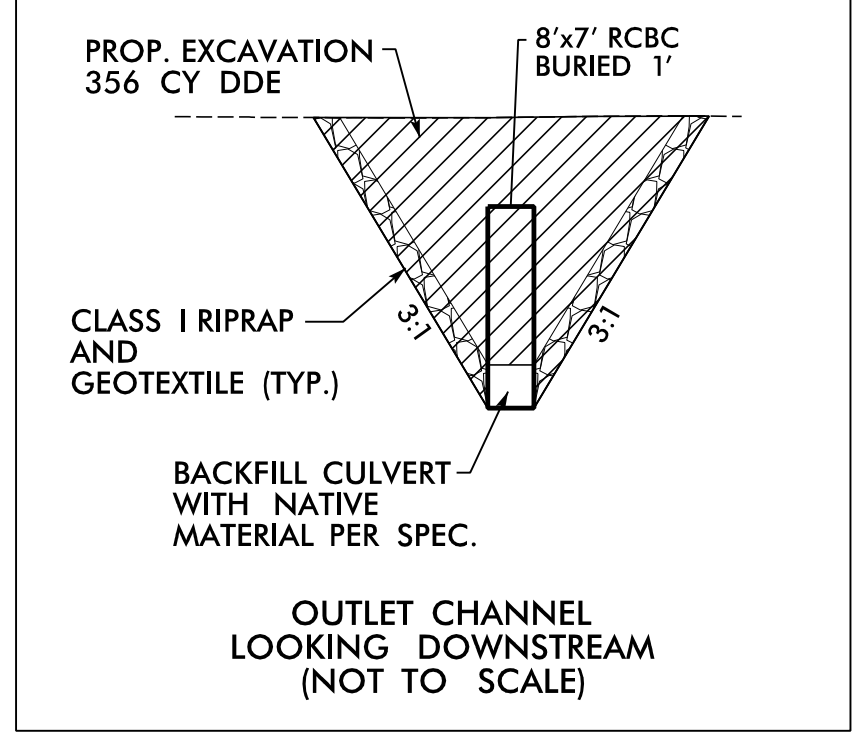
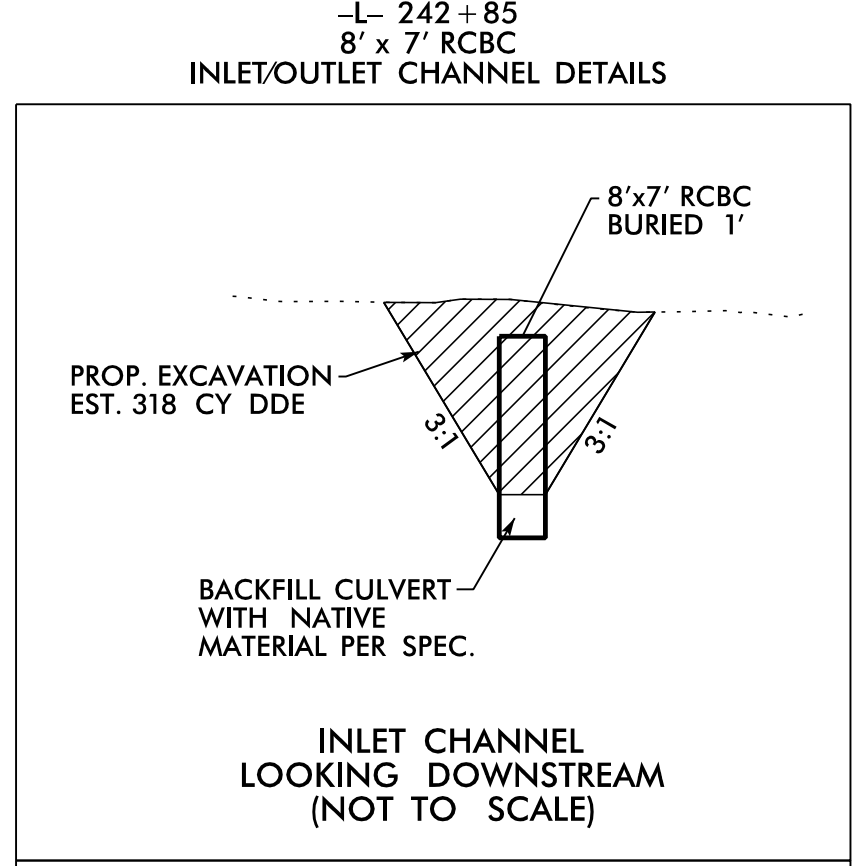
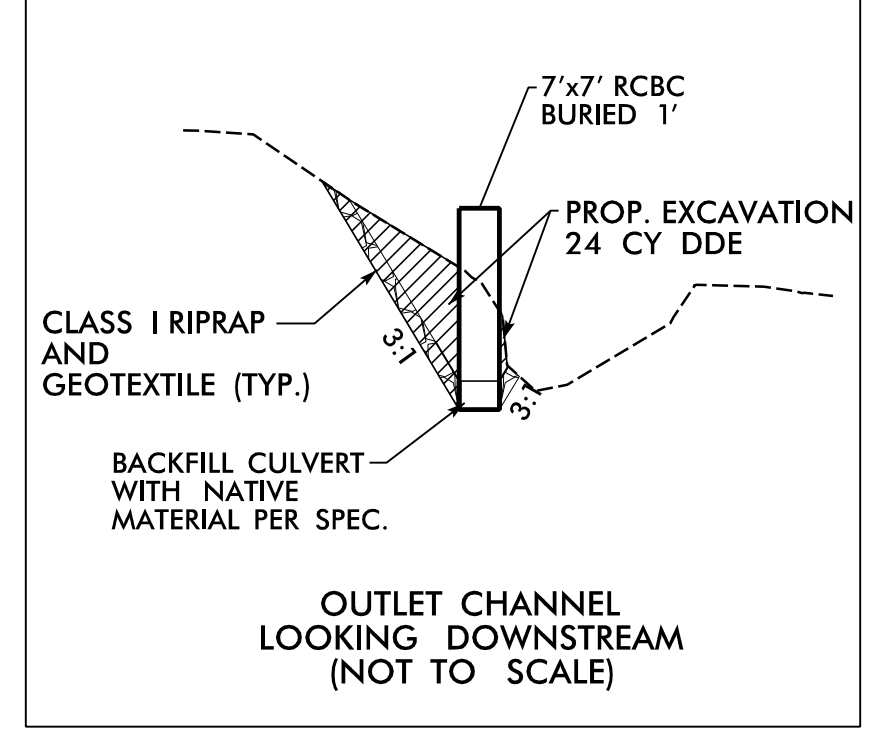
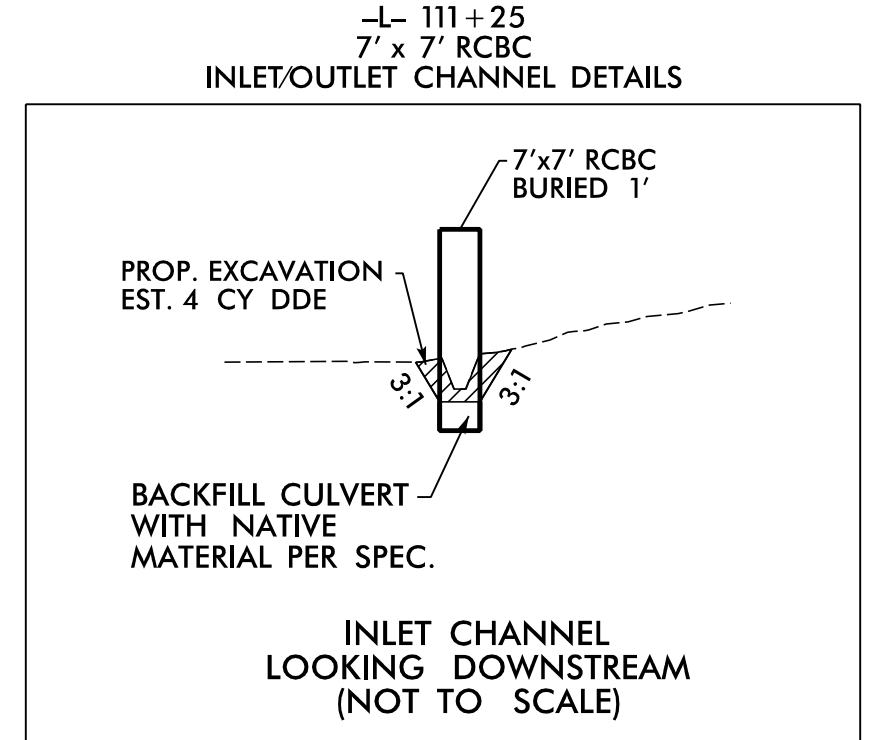
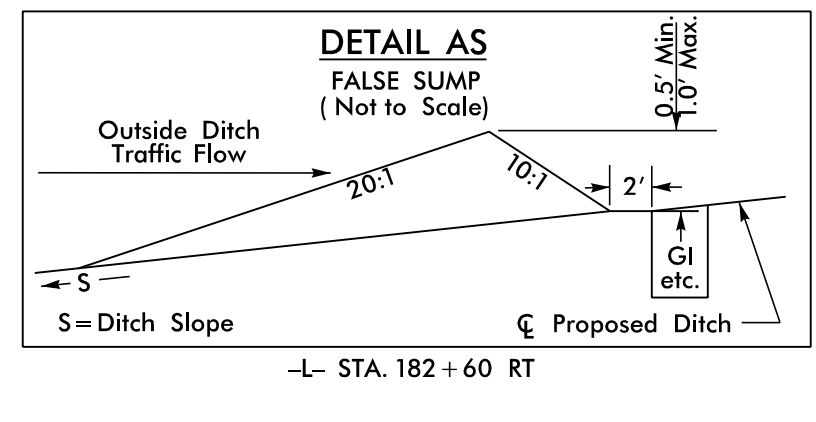
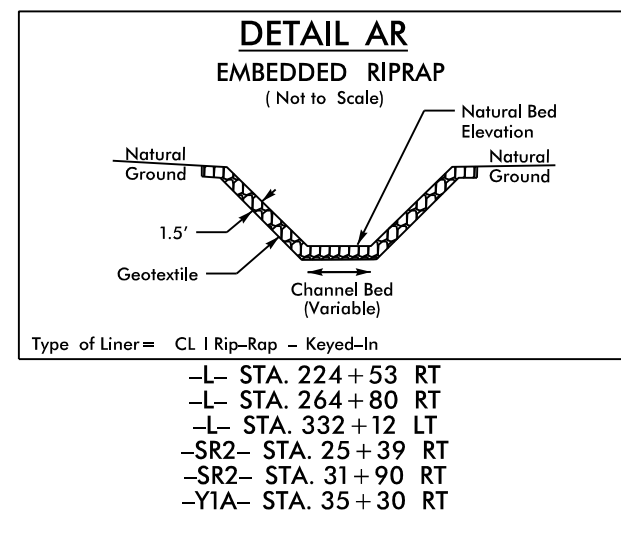
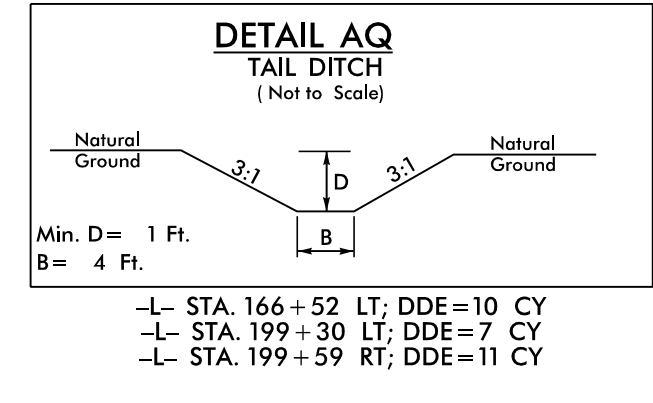
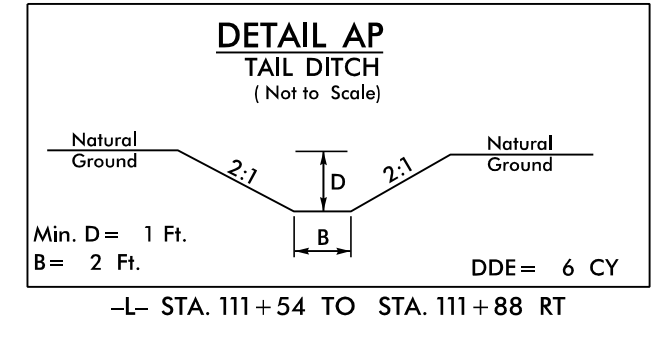
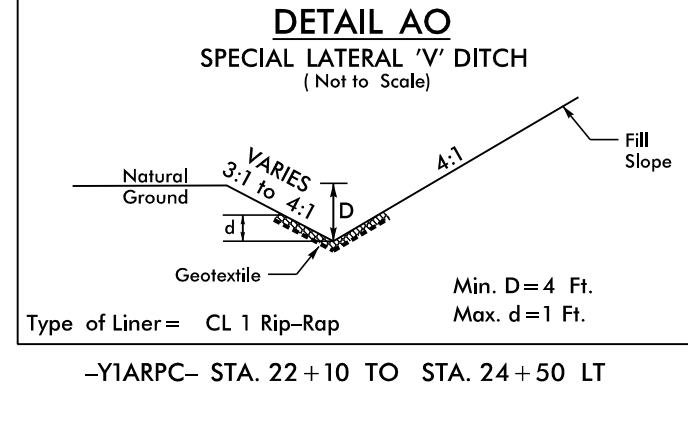
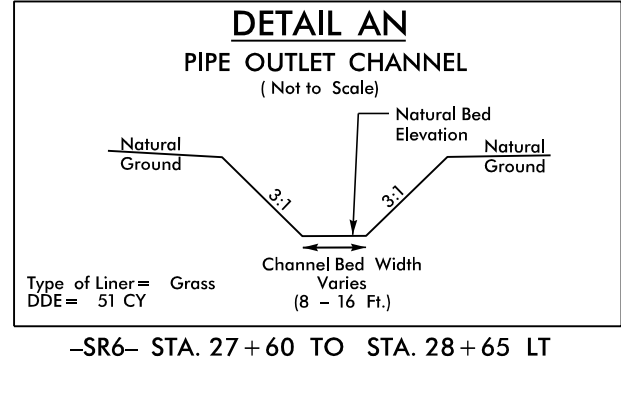
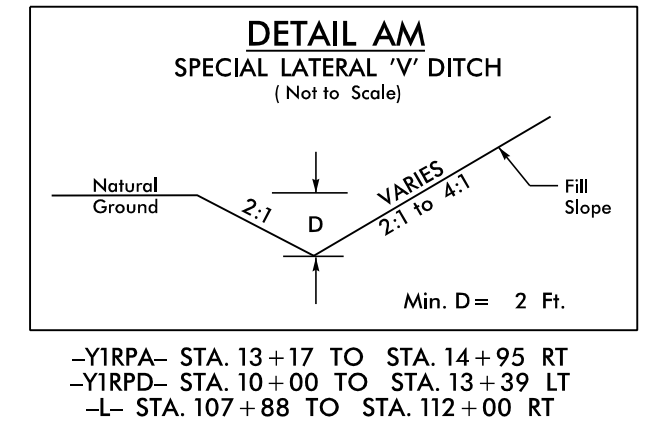
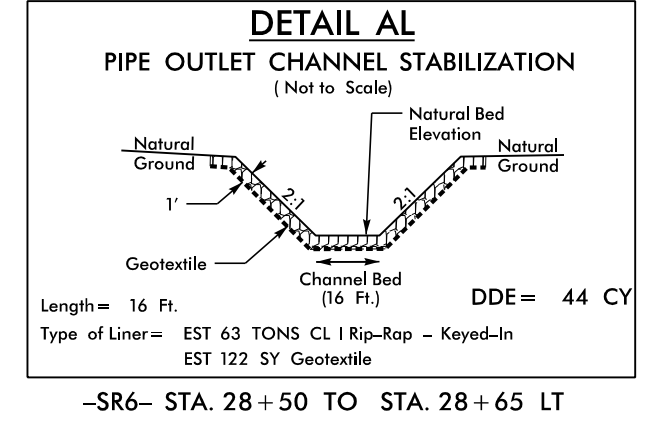
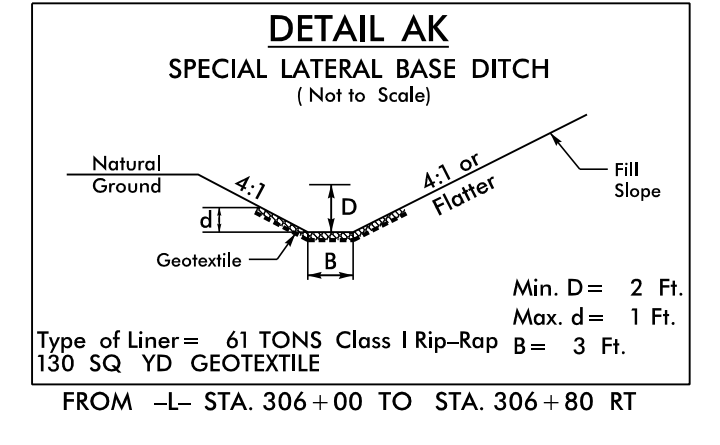
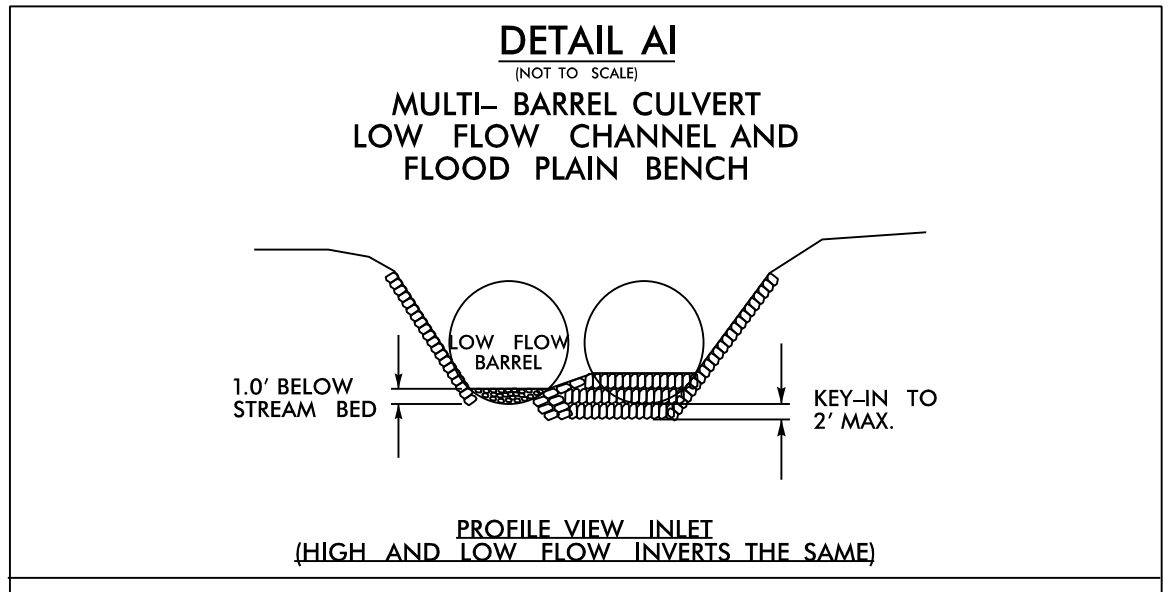
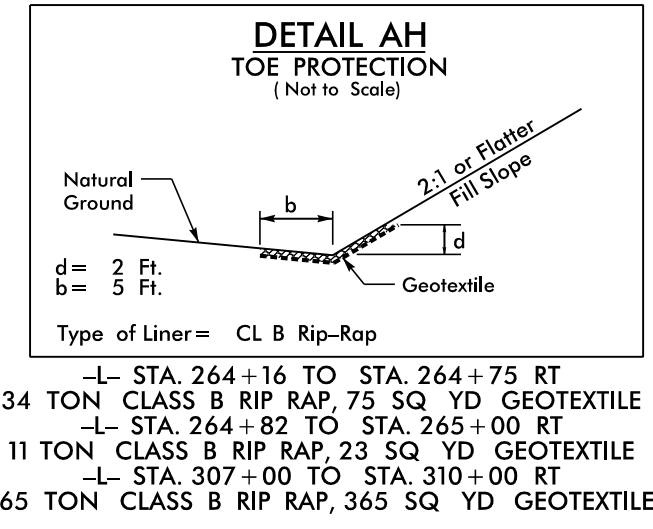
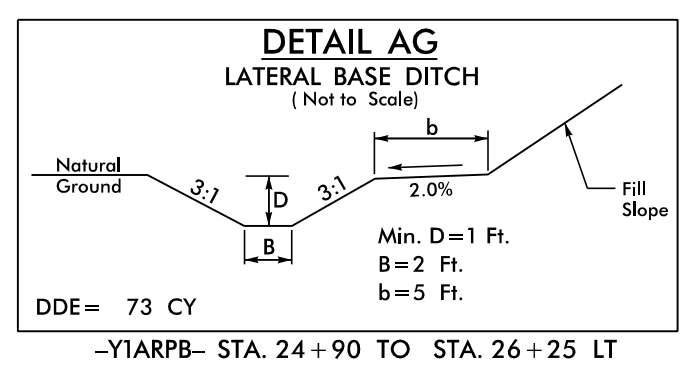


5/28/2022

PROJECT REFERENCE NO. 1-5987A	SHEET NO. 2D-2
ROADWAY DESIGN ENGINEER	HYDRAULICS ENGINEER
	5/19/2022
	
Documented by: <b>Will Weatherstone</b> <small>Professional Engineer</small>	
<b>DOCUMENT NOT CONSIDERED FINAL UNLESS ALL SIGNATURES COMPLETED</b>	
	
NV5 ENGINEERS & CONSULTANTS, INC. 7500 E. INDEPENDENCE BLVD, STE 100 CHARLOTTE, NC 28227 P: 704.537.7300 www.NV5.com NC License # F-1333	



F:\1\2022\B5987A\HYD\_PSH\_2D-2.dgn