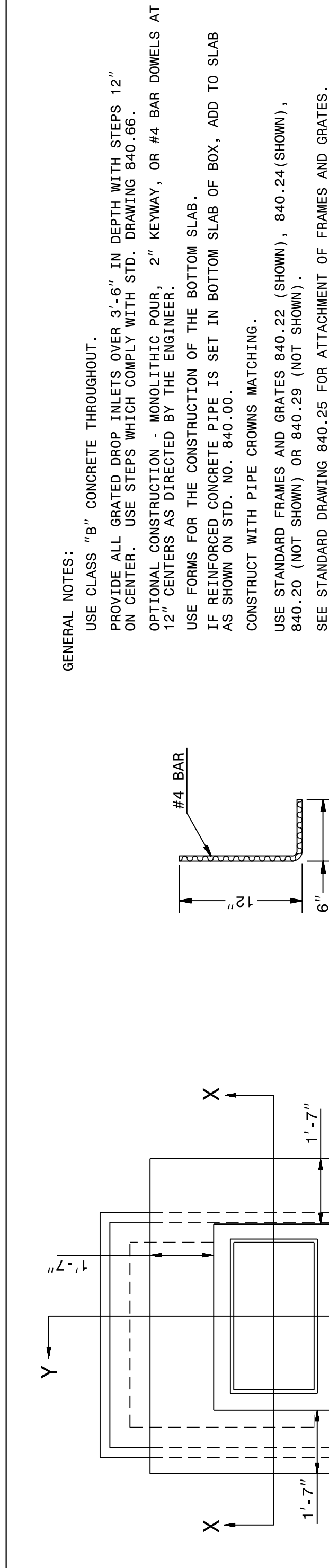


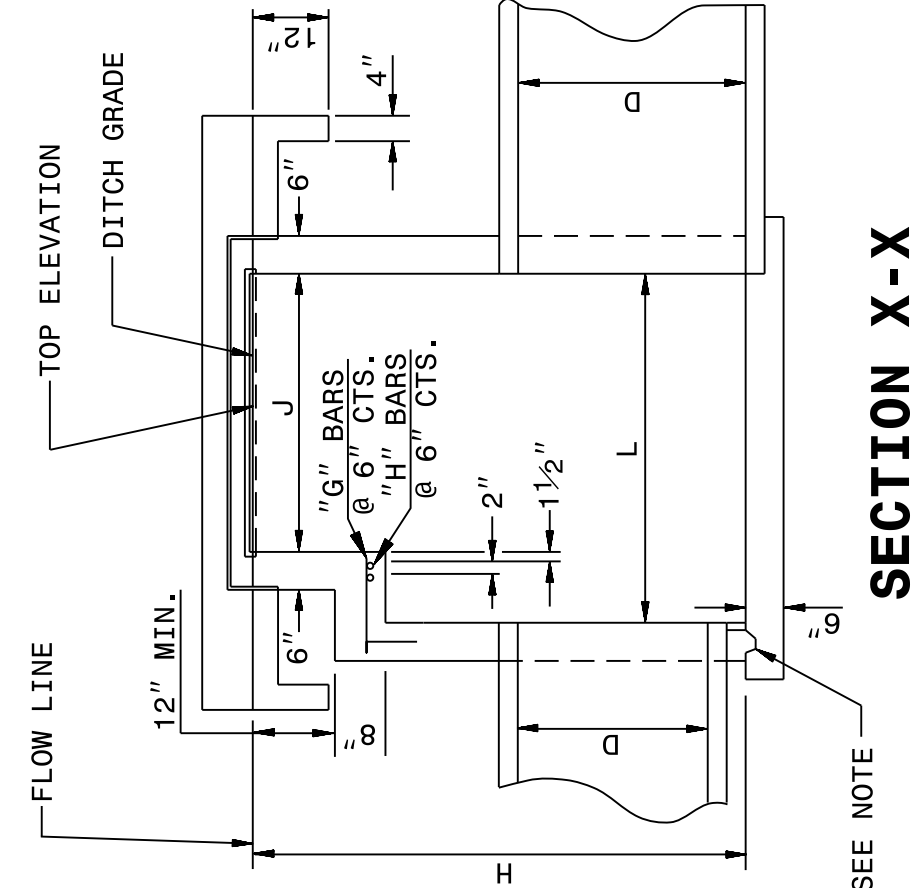
STATE OF NORTH CAROLINA DEPT. OF TRANSPORTATION DIVISION OF HIGHWAYS RALEIGH, N.C.

ENGLISH DETAIL DRAWING FOR CONCRETE GRATED DROP INLET TYPE 'A' MINIMUM DEPTH 12" THRU 72" PIPE

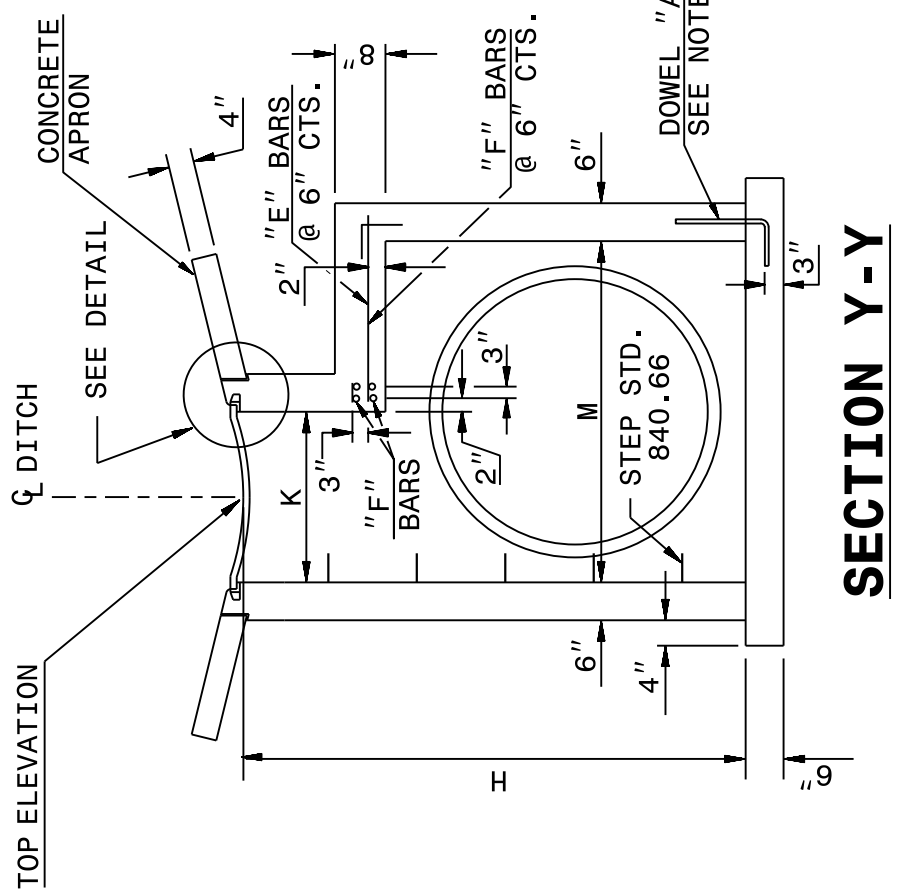
SHEET 1 OF 2 840d17



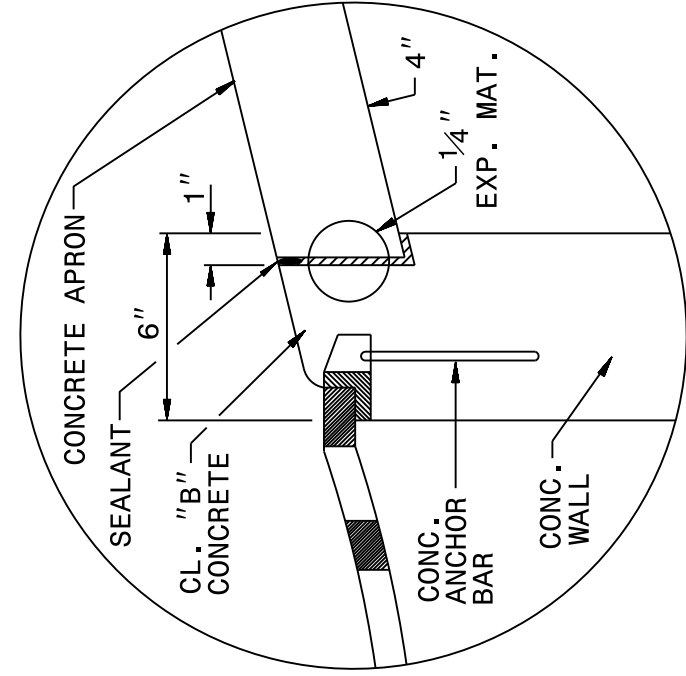
PLAN



SECTION X-X



SECTION Y-Y



DETAIL (APRON SUPPORT NOTCH)

GENERAL NOTES:
 USE CLASS "B" CONCRETE THROUGHOUT.
 PROVIDE ALL GRATED DROP INLETS OVER 3'-6" IN DEPTH WITH STEPS 12" ON CENTER. USE STEPS WHICH COMPLY WITH STD. DRAWING 840.66.
 OPTIONAL CONSTRUCTION - MONOLITHIC POUR, 2" KEYWAY, OR #4 BAR DOWELS AT 12" CENTERS AS DIRECTED BY THE ENGINEER.
 USE FORMS FOR THE CONSTRUCTION OF THE BOTTOM SLAB.
 REINFORCED CONCRETE PIPE IS SET IN BOTTOM SLAB OF BOX, ADD TO SLAB AS SHOWN ON STD. NO. 840.00.
 CONSTRUCT WITH PIPE CROWNS MATCHING.
 USE STANDARD FRAMES AND GRATES 840.22 (SHOWN), 840.24 (SHOWN), 840.20 (NOT SHOWN) OR 840.29 (NOT SHOWN).
 SEE STANDARD DRAWING 840.25 FOR ATTACHMENT OF FRAMES AND GRATES.
 CHAMFER ALL EXPOSED CORNERS 1".
 DRAWING NOT TO SCALE.
 MAX. DEPTH OF THIS STRUCTURE FROM TOP OF BOTTOM SLAB TO TOP ELEVATION IS 12 FEET.

STATE OF NORTH CAROLINA DEPT. OF TRANSPORTATION DIVISION OF HIGHWAYS RALEIGH, N.C.

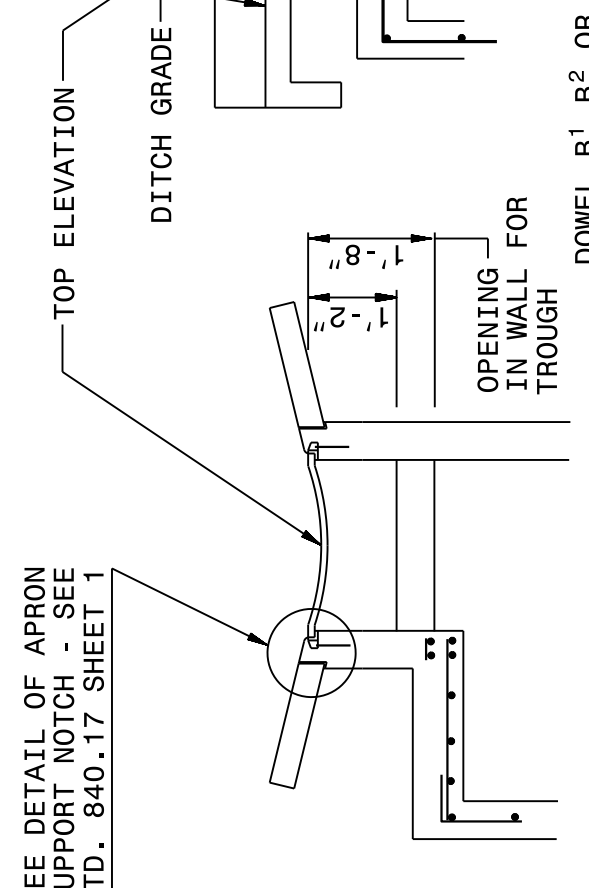
ENGLISH DETAIL DRAWING FOR CONCRETE GRATED DROP INLET TYPE 'A' MINIMUM DEPTH 12" THRU 72" PIPE

SHEET 1 OF 2 840d17

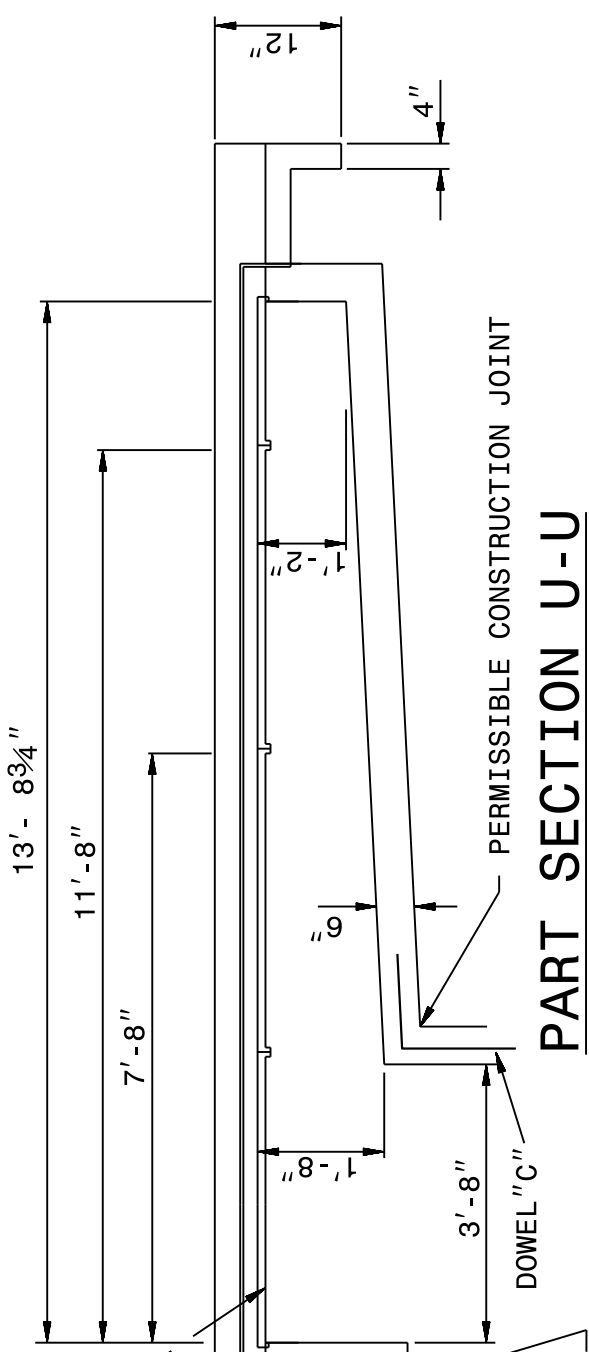
STATE OF NORTH CAROLINA DEPT. OF TRANSPORTATION DIVISION OF HIGHWAYS RALEIGH, N.C.

ENGLISH DETAIL DRAWING FOR CONCRETE GRATED DROP INLET TYPE 'A' MINIMUM DEPTH 12" THRU 72" PIPE

SHEET 2 OF 2 840d17



PART SECTION V-V

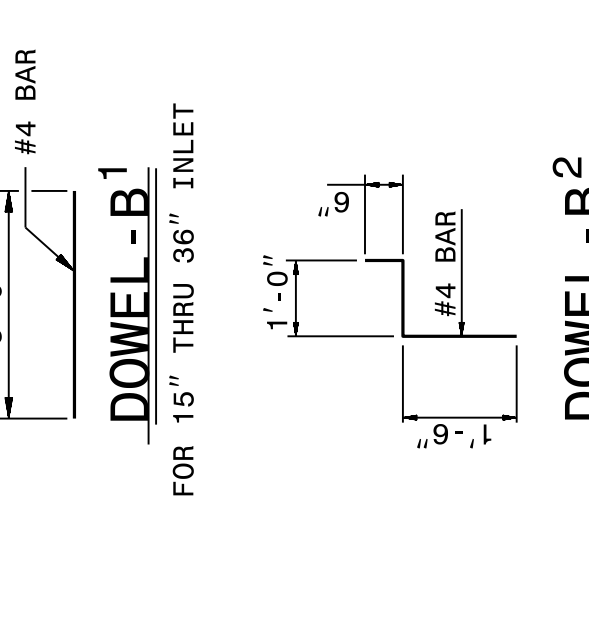


PART SECTION U-U

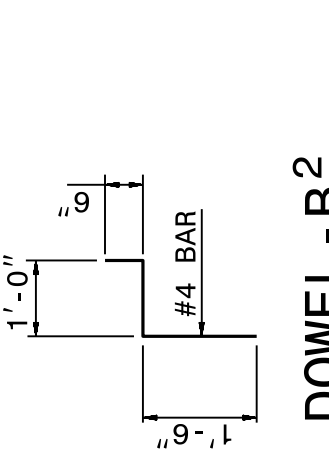
STATE OF NORTH CAROLINA DEPT. OF TRANSPORTATION DIVISION OF HIGHWAYS RALEIGH, N.C.

ENGLISH DETAIL DRAWING FOR CONCRETE GRATED DROP INLET TYPE 'A' MINIMUM DEPTH 12" THRU 72" PIPE

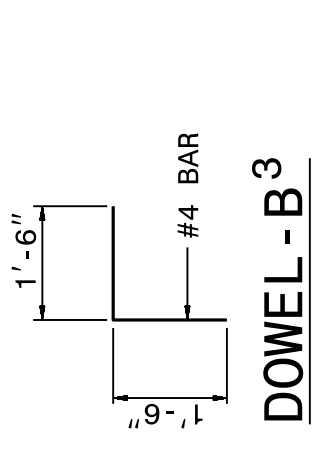
SHEET 2 OF 2 840d17



DOWEL-B1 FOR 15" THRU 36" INLET



DOWEL-B2 FOR 42" INLET



DOWEL-B3

QUANTITY TO BE ADDED FOR EACH 2' INCREMENT INLET OPENING

ADDITIONAL INLETS	2'-0"	4'-0"	6'-0"	8'-0"	10'-0"	12'-0"
CONCRETE CU. YDS.	0.191	0.417	0.665	0.897	1.145	1.380
CONCRETE APRON CU. YDS.	0.074	0.148	0.222	0.296	0.370	0.444

PIPE	DIMENSIONS OF BOX AND PIPE		REINFORCING STEEL - NO. 4 BARS										MIN. DIMENSIONS AND QUANTITIES FOR CONCRETE GRATED DROP INLET (BASED ON MIN. HEIGHT, H)										
	SPAN	WIDTH	D	J	K	L	M	H	NO.	LENGTH	NO.	LENGTH	BARS G	BARS F	BARS E	BARS H	TOTAL BOTTOM SLAB	H PER FT	APRON TOTAL	DEDUCTIONS FOR ONE PIPE			
12"	3'-8"	2'-0"	2'-0"	2'-3"	—	—	—	—	—	—	—	—	—	—	—	—	0.362	0.926	0.247	0.395	1.683	0.015	0.024
15"	3'-8"	2'-0"	2'-0"	2'-5"	—	—	—	—	—	—	—	—	—	—	—	—	0.362	0.988	0.247	0.395	1.745	0.023	0.036
18"	—	—	2'-0"	2'-8"	—	—	—	—	—	—	—	—	—	—	—	—	0.362	1.050	0.247	1.807	0.033	0.049	—
24"	—	—	2'-10"	3'-3"	8	1'-5"	6	4'-9"	—	—	—	—	—	—	—	—	0.444	1.362	0.278	2.201	0.059	0.085	—
30"	—	—	3'-5"	3'-10"	8	2'-0"	7	4'-9"	—	—	—	—	—	—	—	—	0.502	1.644	0.288	2.541	0.082	0.127	—
36"	—	—	4'-0"	4'-4"	8	2'-5"	8	4'-11"	4	0'-9"	2	4'-11"	4	0'-9"	—	—	0.560	1.931	0.321	2.920	0.132	0.178	—
42"	—	—	4'-10"	5'-0"	10	3'-1"	9	5'-7"	9	5'-7"	3	5'-7"	67	0.704	2.500	0.370	0.704	2.500	0.370	3.677	0.180	0.243	—
48"	—	—	5'-4"	5'-6"	11	3'-7"	10	6'-1"	11	6'-1"	4	6'-1"	87	0.823	3.013	0.407	0.823	3.013	0.407	4.315	0.235	0.317	—
54"	—	—	6'-0"	6'-0"	12	4'-1"	11	6'-7"	11	6'-7"	5	6'-7"	107	0.951	3.589	0.444	0.951	3.589	0.444	5.072	0.287	0.401	—
60"	—	—	6'-6"	6'-6"	13	4'-9"	12	7'-3"	13	7'-3"	6	7'-3"	135	1.311	4.539	0.494	1.311	4.539	0.494	6.170	0.367	0.495	—
66"	—	—	7'-2"	7'-1"	14	5'-4"	14	7'-10"	14	7'-10"	7	7'-10"	168	1.136	5.061	0.537	1.136	5.061	0.537	6.901	0.444	0.599	—
72"	—	—	7'-8"	7'-8"	15	5'-11"	15	8'-5"	4	4'-3"	8	8'-5"	199	1.500	5.860	0.580	1.500	5.860	0.580	7.868	0.528	0.713	—

DOCUMENT NOT CONSIDERED FINAL UNLESS ALL SIGNATURES COMPLETED

CONTRACT STANDARDS AND DEVELOPMENT UNIT
 Office 919-707-6950 FAX 919-250-4119

SEE TITLE BLOCK

ORIGINAL BY: J. Howerton DATE: 1/22/14
 MODIFIED BY: DATE:
 CHECKED BY: DATE:
 FILE SPEC.: jhowerton\minimum depth type A.dgn



DocuSigned by:
 Ronald Elton Davenport, Jr.
 5/18/2022

I:\SEP-2017\1155\portraits\Special Details\jhowerton\840d17 Minimum Depth Type A.dgn
 jhowerton At CSD 2/25/2015