

STATE OF NORTH CAROLINA DEPT. OF TRANSPORTATION DIVISION OF HIGHWAYS RALEIGH, N.C.

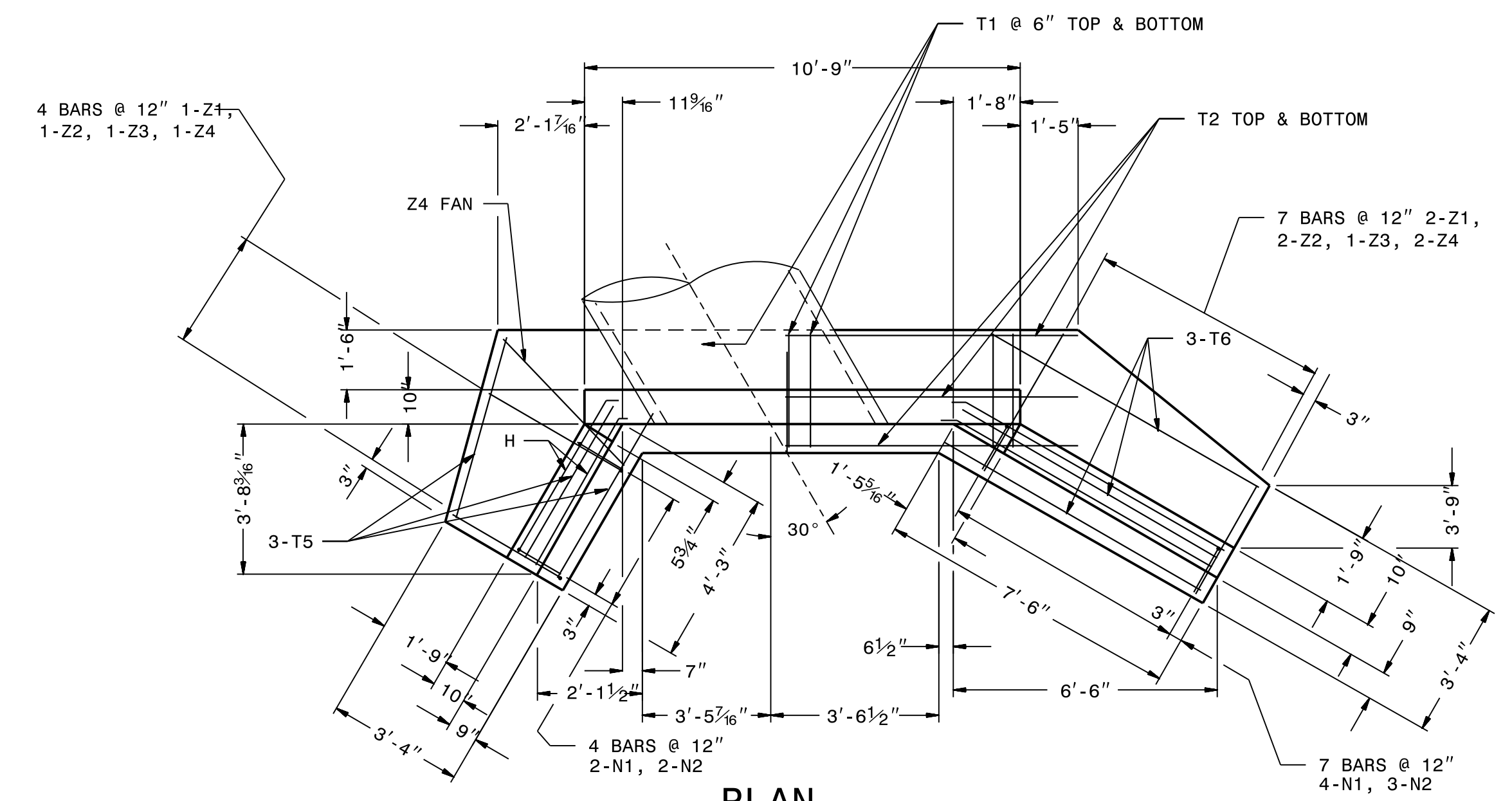
ENGLISH DETAIL DRAWING FOR REINFORCED CONCRETE ENDWALL FOR SINGLE 60° PIPE 60° OR 120° SKEW

SHEET OF 838d27

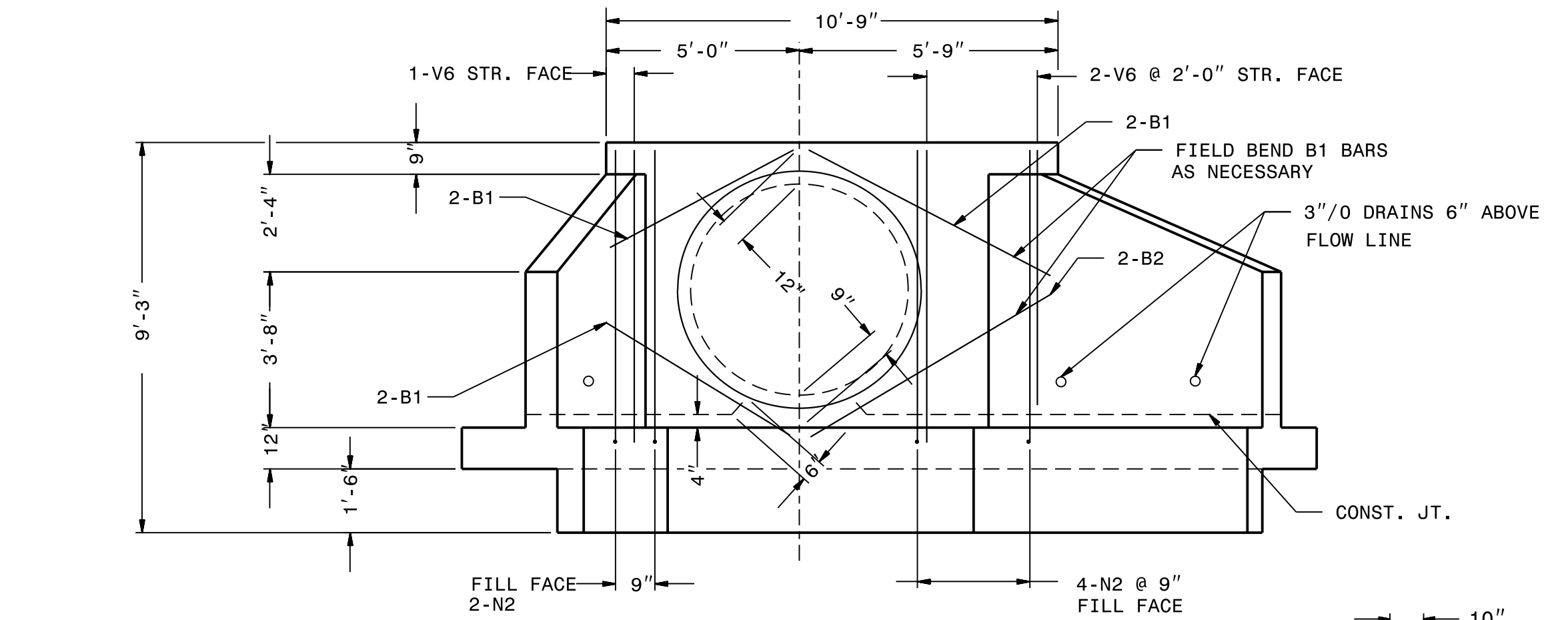
STATE OF NORTH CAROLINA DEPT. OF TRANSPORTATION DIVISION OF HIGHWAYS RALEIGH, N.C.

ENGLISH DETAIL DRAWING FOR REINFORCED CONCRETE ENDWALL FOR SINGLE 60° PIPE 60° OR 120° SKEW

SHEET OF 838d27

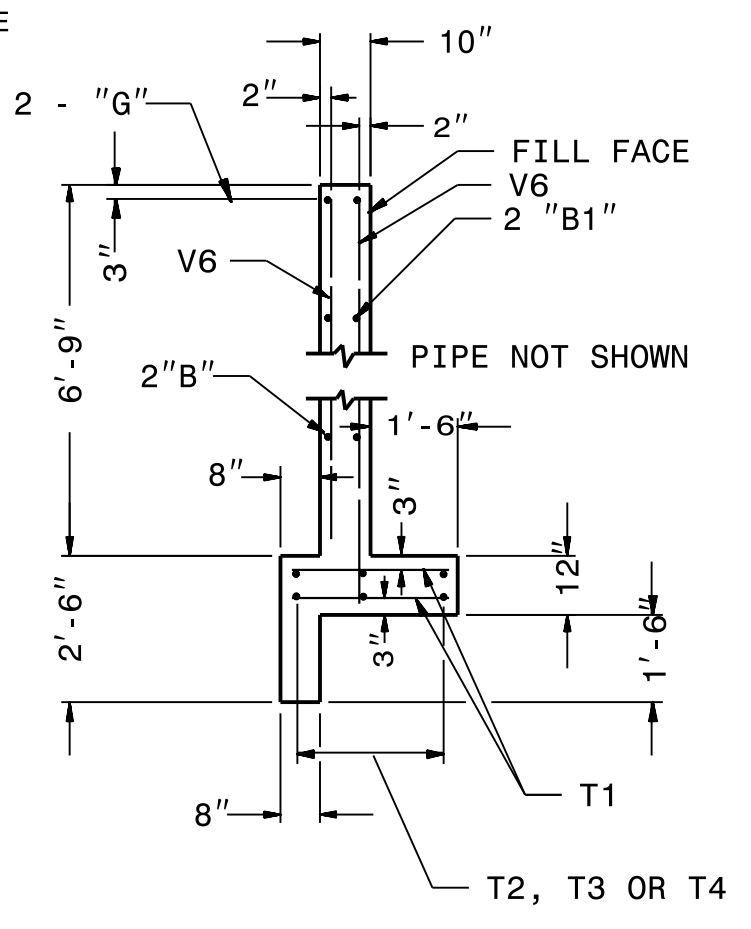
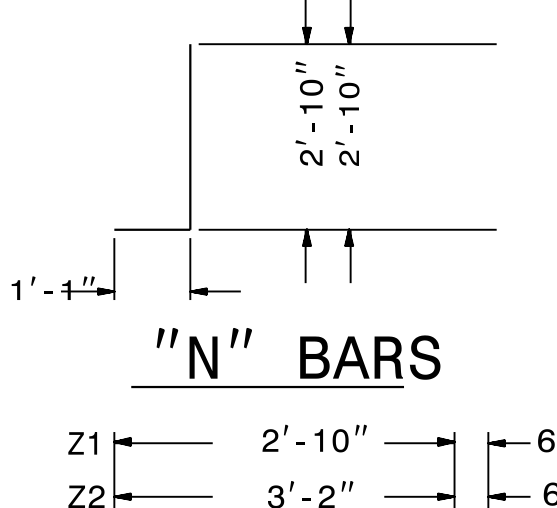
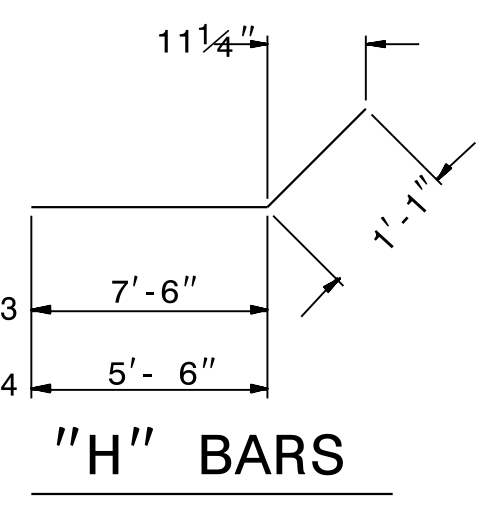
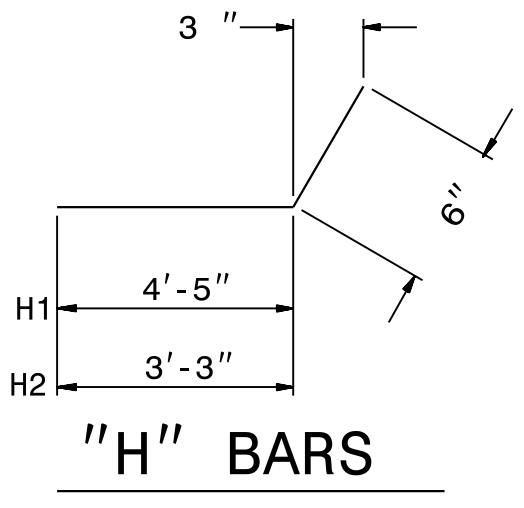


PLAN

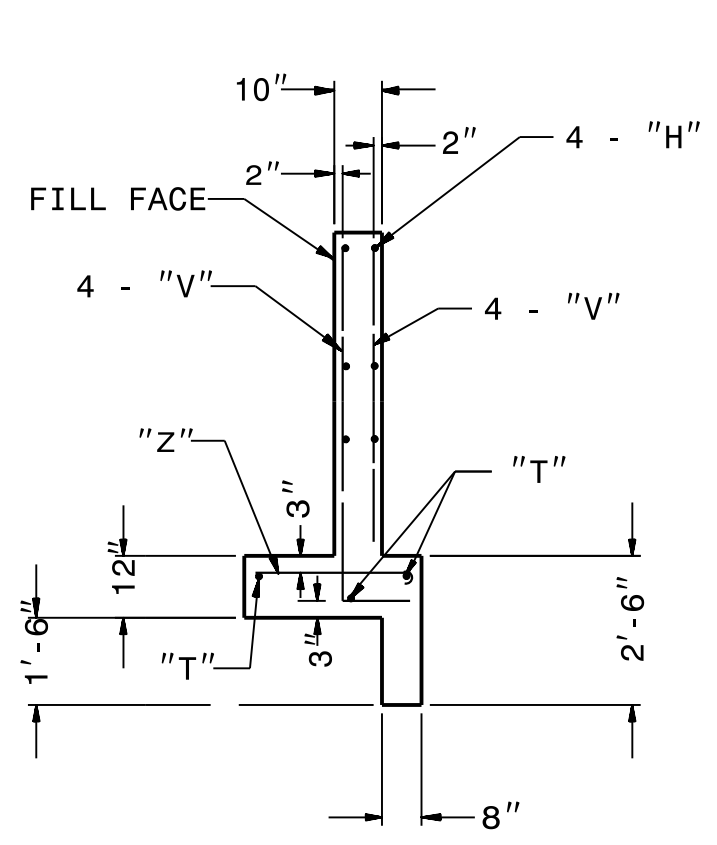


ELEVATION

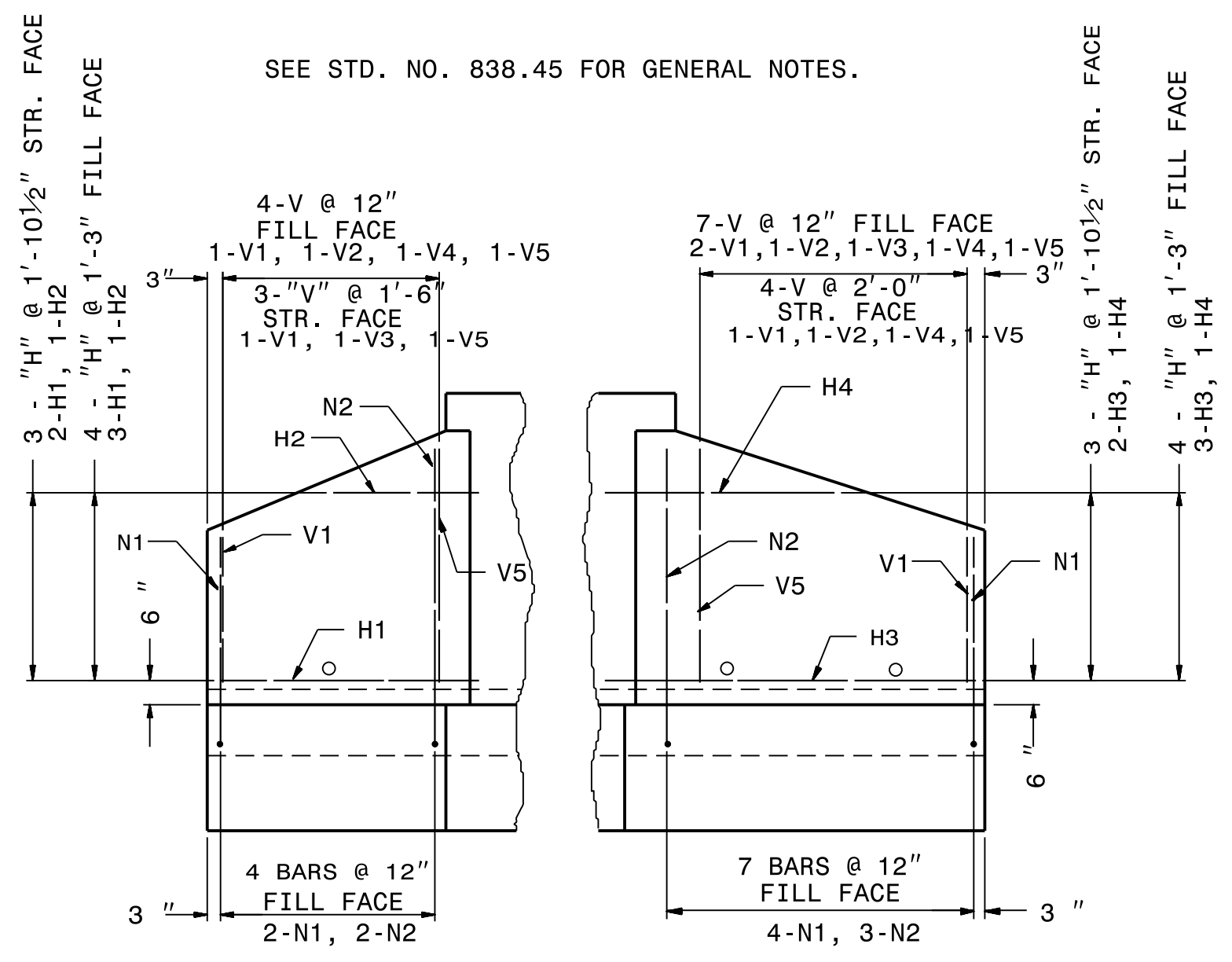
"H", "N", & "Z" BAR DIMENSIONS ARE OUT TO OUT.



SECTION - BB



SECTION - AA



WING ELEVATION

SEE STD. NO. 838.45 FOR GENERAL NOTES.

Table with 5 columns: BAR, SIZE, LENGTH, NO., WEIGHT. It lists materials for endwalls and pipes, including reinforcement steel and concrete quantities.

02-MAY-2018 08:34 S:\Contracts\Projects\Special\English\Hydro\endwalls.dgn J:\power\ton AT_CSD-252595



5/18/2022

DOCUMENT NOT CONSIDERED FINAL UNLESS ALL SIGNATURES COMPLETED

CONTRACT STANDARDS & DEVELOPMENT UNIT STANDARDS AND SPECIAL DESIGN Office 919-707-6950 FAX 919-250-4119

SEE PLATE FOR TITLE

ORIGINAL BY: DATE: MODIFIED BY: rnbritt DATE: 05-08-06 CHECKED BY: DATE: FILE SPEC.: s:nbritt/english/hydro/838d24_54_endwall_60sk.dgn