
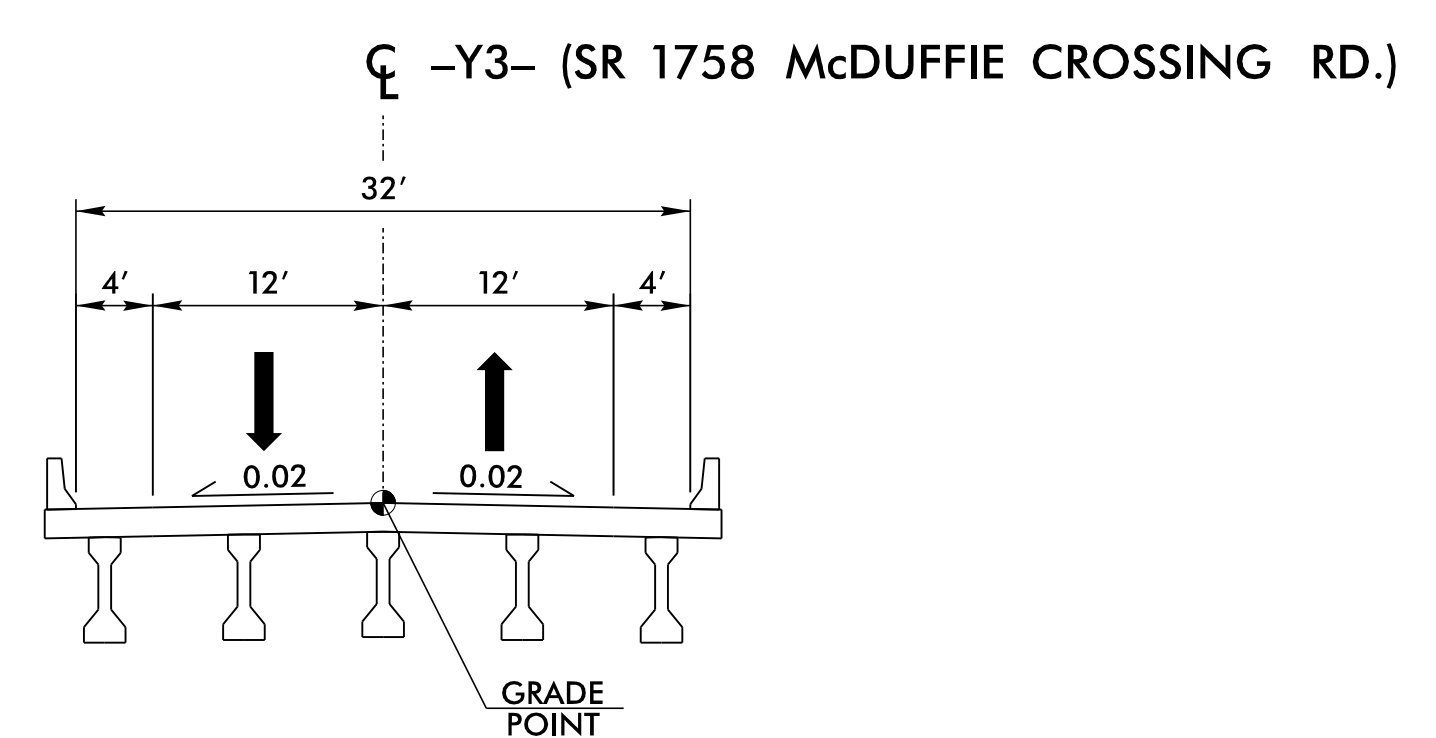


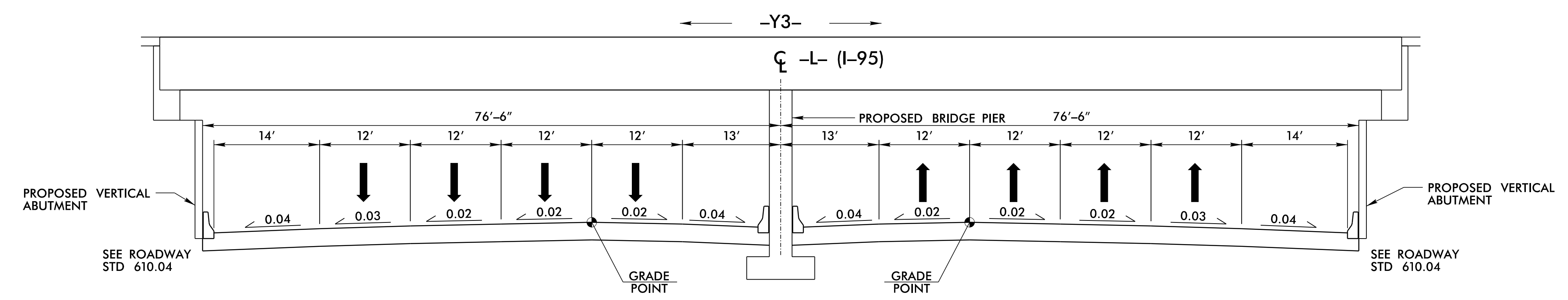
5/14/22

PROJECT REFERENCE NO. <b>1-5987A</b>		SHEET NO. <b>2A-14</b>	
RW SHEET NO.			
ROADWAY DESIGN ENGINEER 5/18/2022		PAVEMENT DESIGN ENGINEER	
			
		DocuSigned by <i>Steve Anthony Dinn</i>	
<b>DOCUMENT NOT CONSIDERED FINAL UNLESS ALL SIGNATURES COMPLETED</b>			

# BRIDGE AT -Y3- STA. 30 + 04.11 OVER -L- STA. 463 + 53.11



**STRUCTURE TYPICAL SECTION**



**TYPICAL SECTION UNDER STRUCTURE**  
MINIMUM VERTICAL CLEARANCE = 17'-0"

5/5/2022  
 R:\Road\15987A\_RDY\_TYP\_SECA1.dgn  
 Steve Anthony Dinn