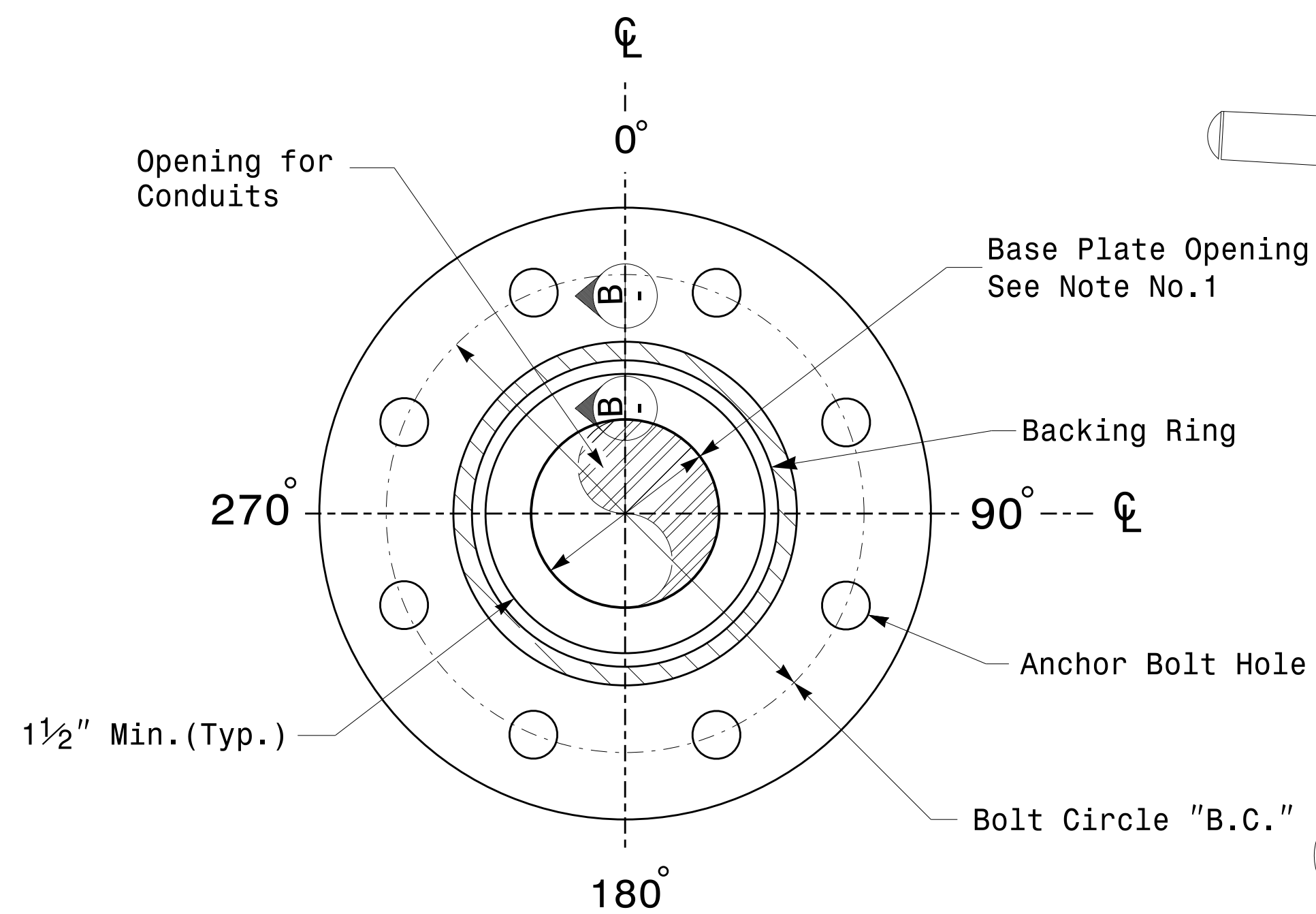
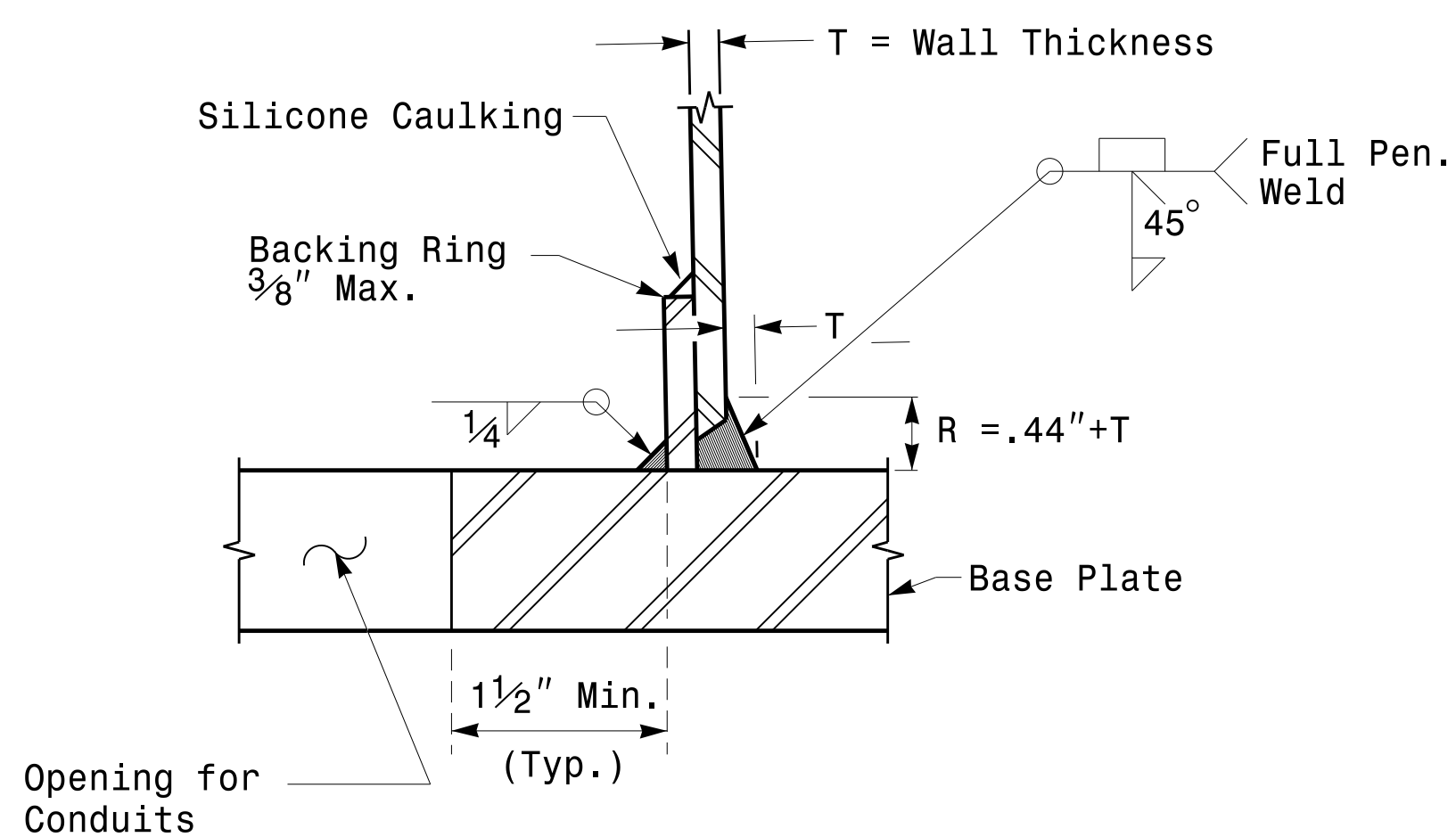


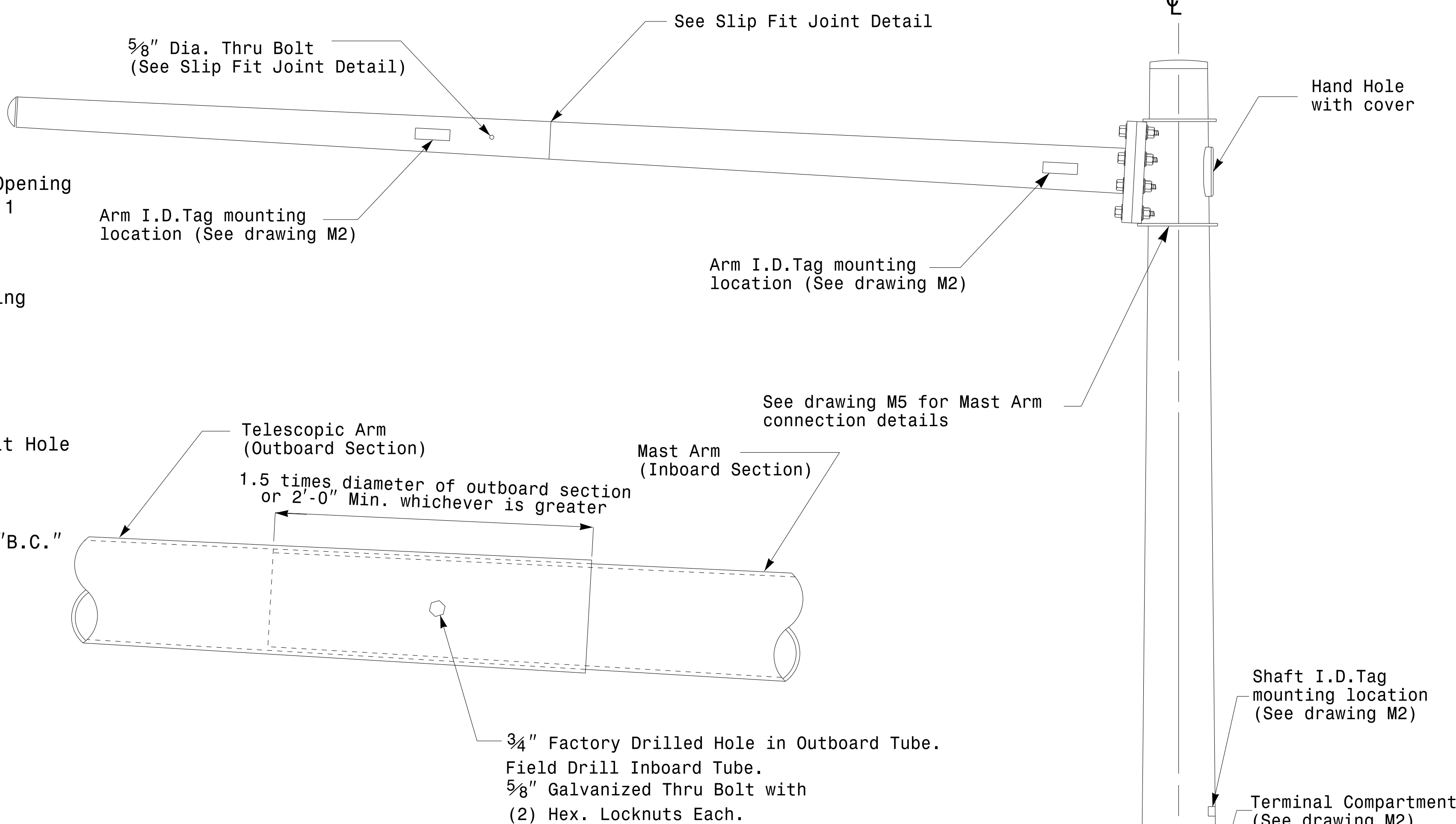
Note:
 1. Opening in pole base plate shall be equal to pole base inside diameter minus 3 1/2" but shall not be less than 8 1/2".



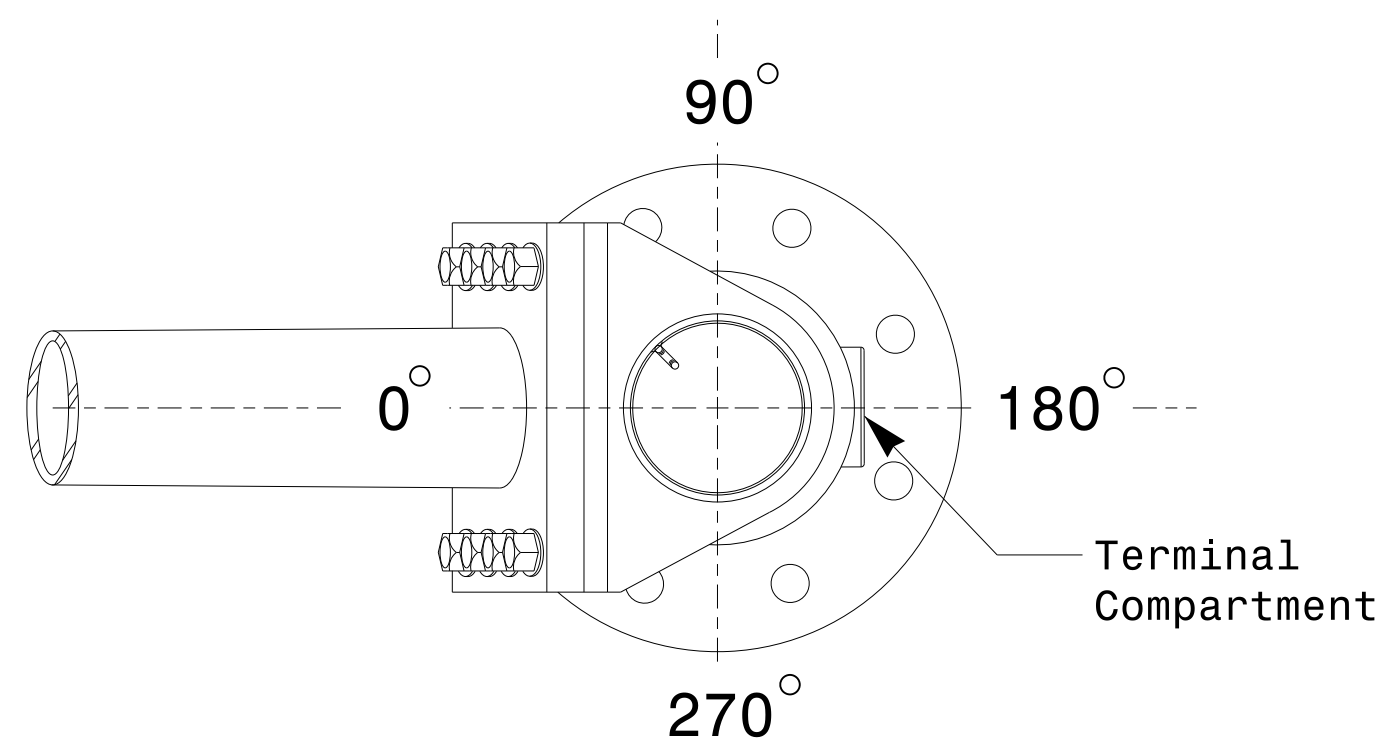
Section A-A
Pole Base Plate Details



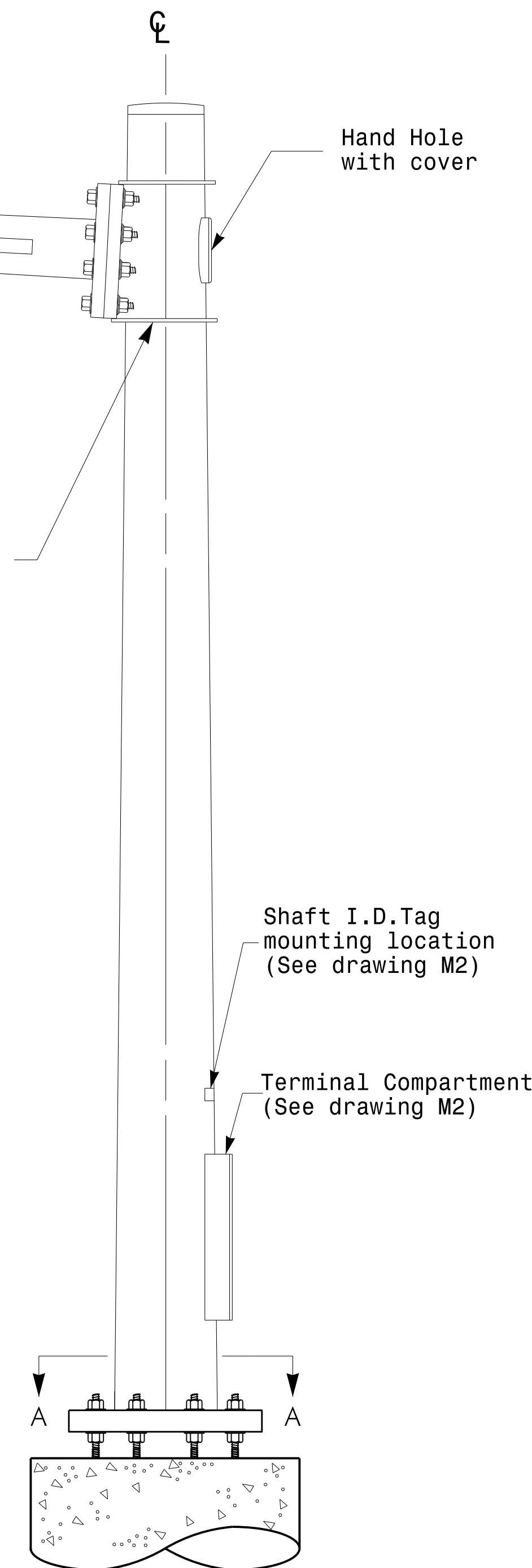
Section B-B
 (Pole Attachment to Base Plate)
Full-Penetration Groove Weld Detail



Slip Fit Joint Detail for Mast Arm



Mast Arm Radial Orientation



Mast Arm Pole

Fabrication Details – Mast Arm Poles

	Typical Fabrication Details For Mast Arm Poles		SEAL
	PLAN DATE: OCTOBER 2017 PREPARED BY: N. BITTING	DESIGNED BY: K.C. DURIGON REVIEWED BY: D.C. SARKAR	
SCALE: 0 NA NONE	DocuSigned by: <i>Dinesh C. Sarkar</i> 10/11/2017		DATE

11-OCT-2017 08:33 136560115 SignalDesign Section Design Section Eastern RegionM4 Sheets20162014 Sig.M4 Std. Fabrication Detail-Mast Arm Poles.dgn