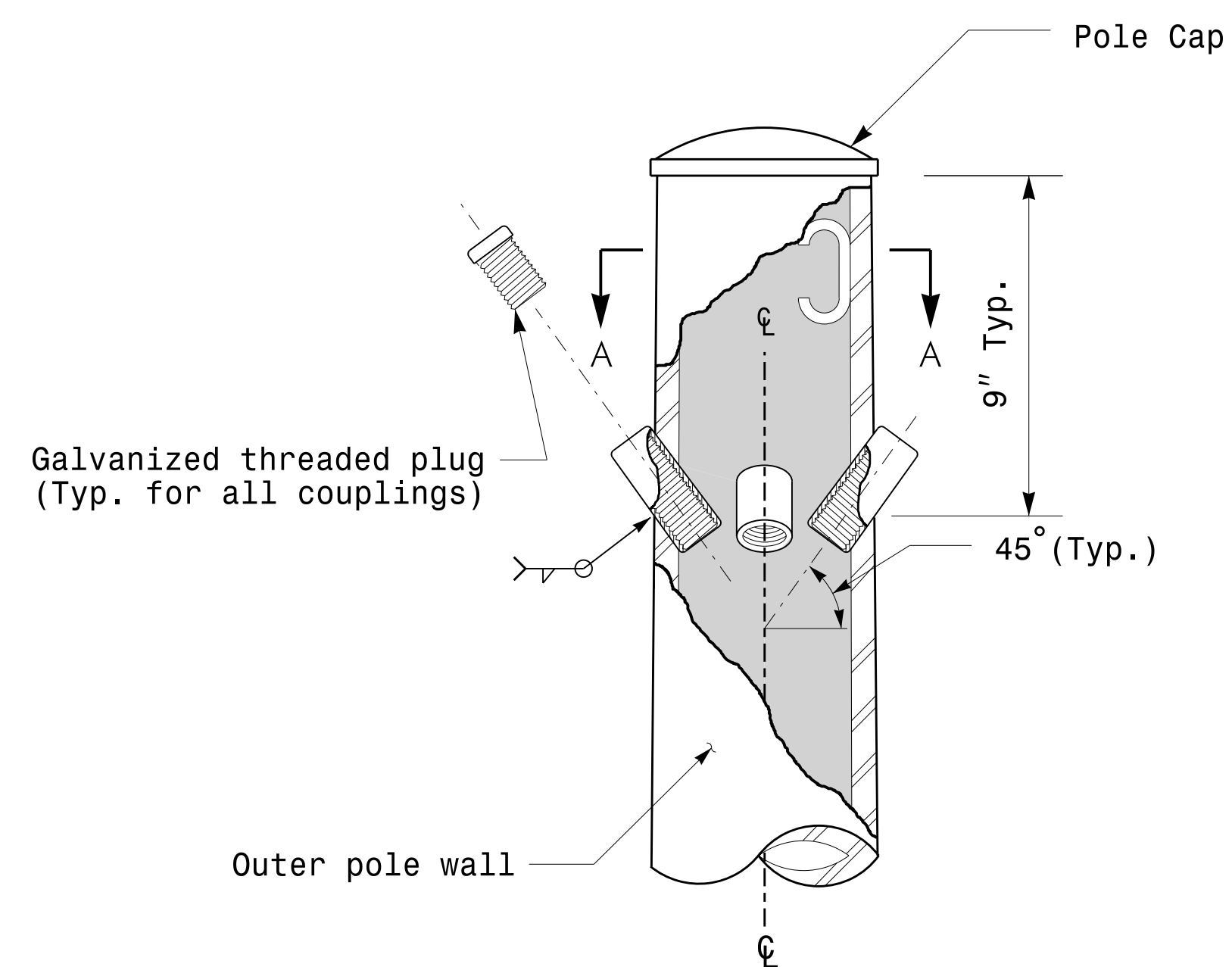
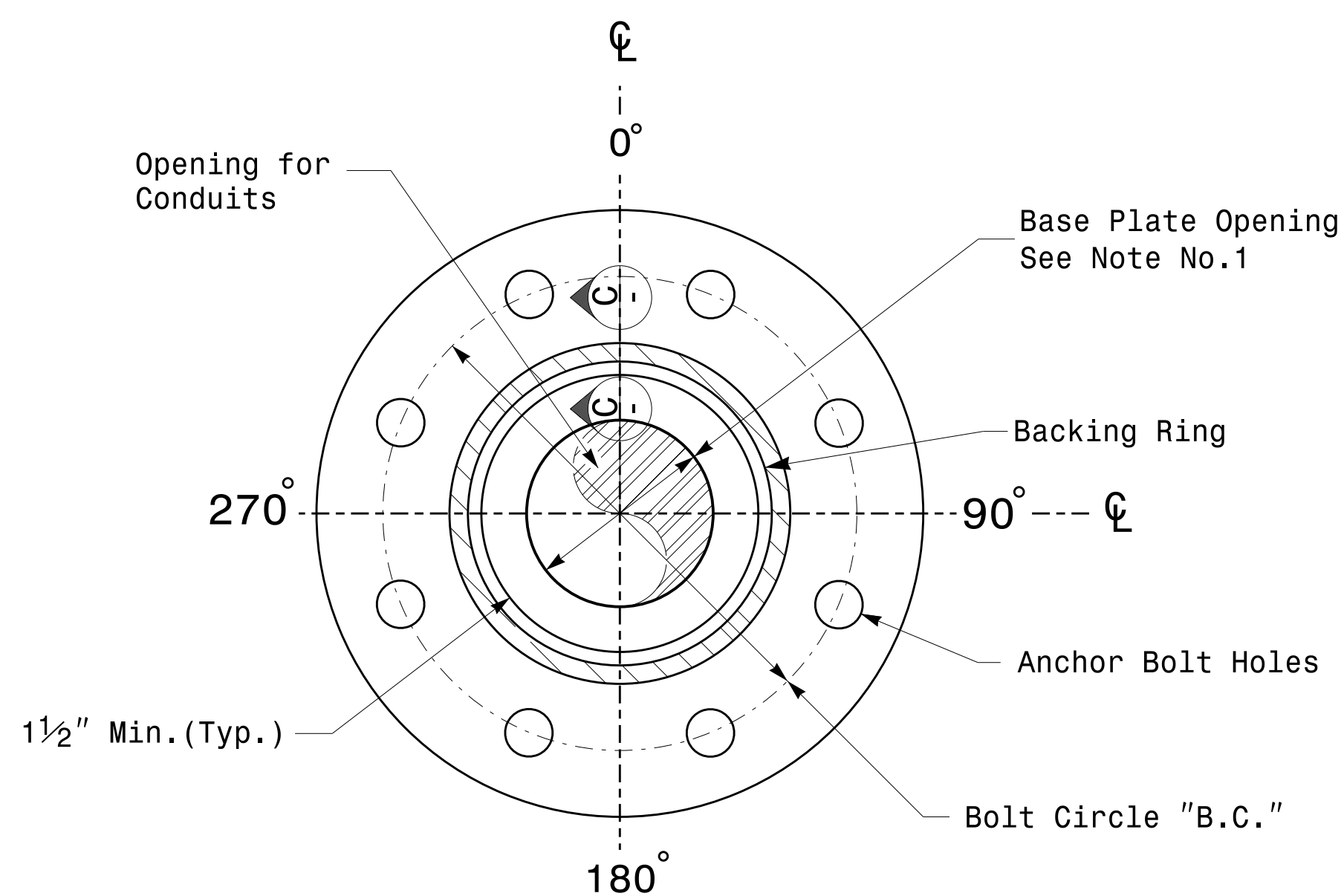


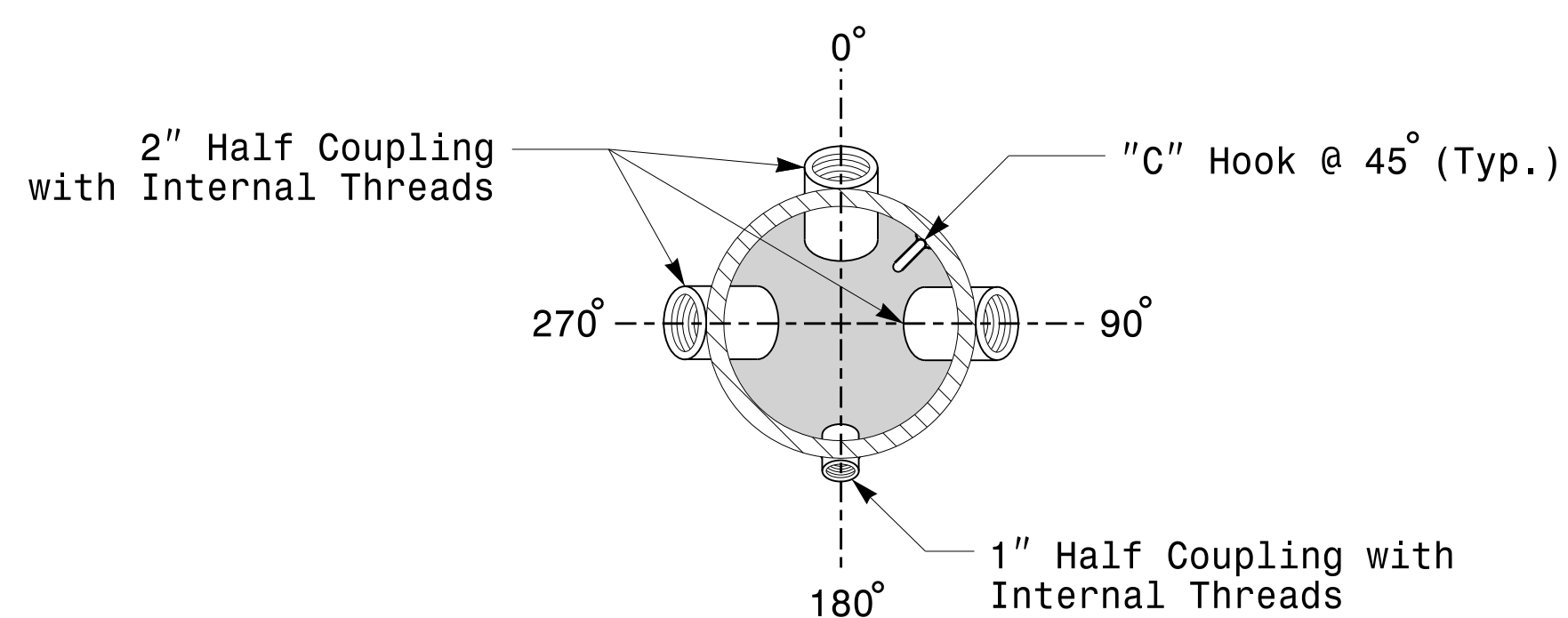
Note:
 1. Opening in pole base plate shall be equal to pole base inside diameter minus 3 1/2" but shall not be less than 8 1/2".



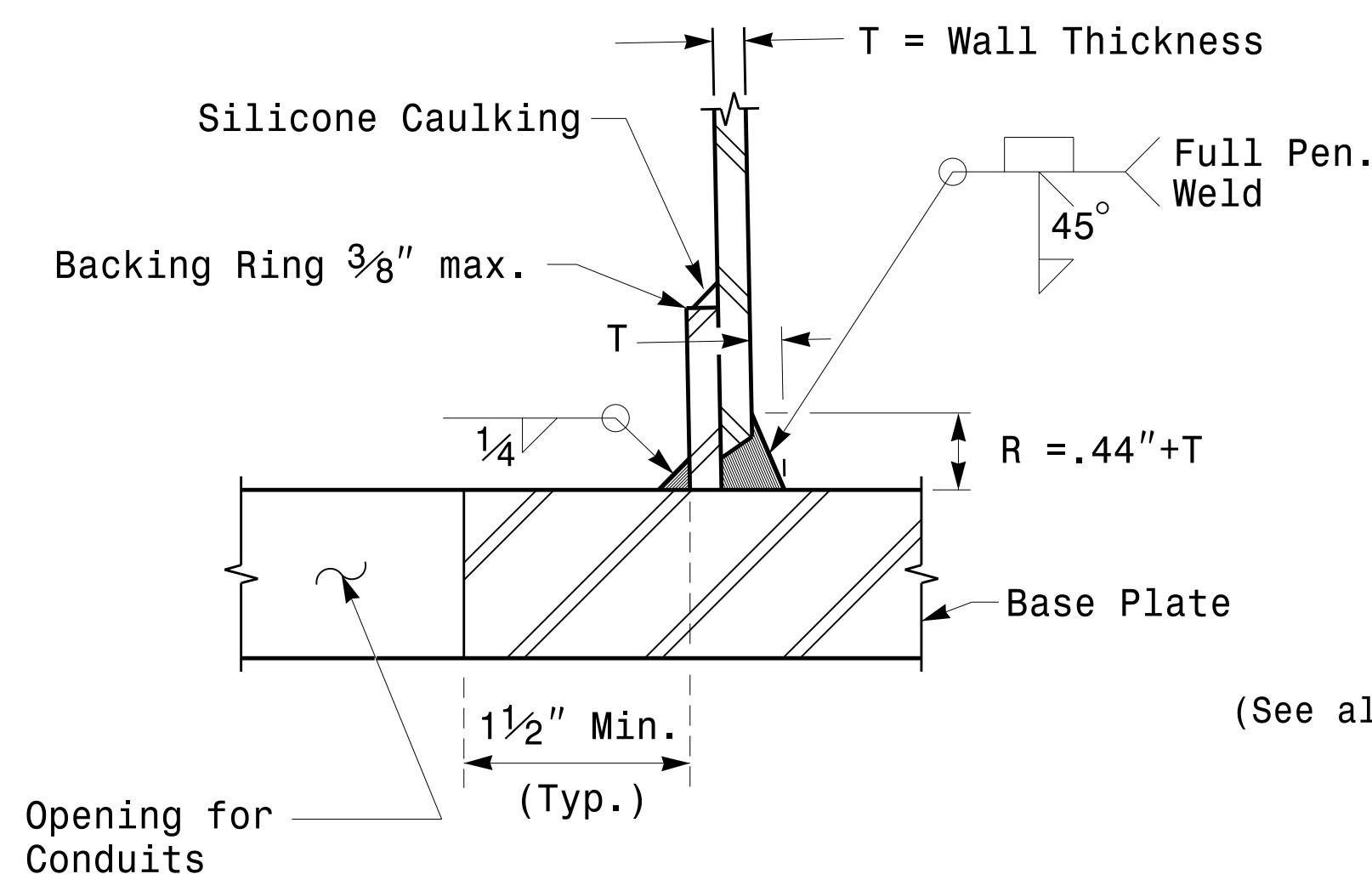
Cable Entrances at Top of Pole



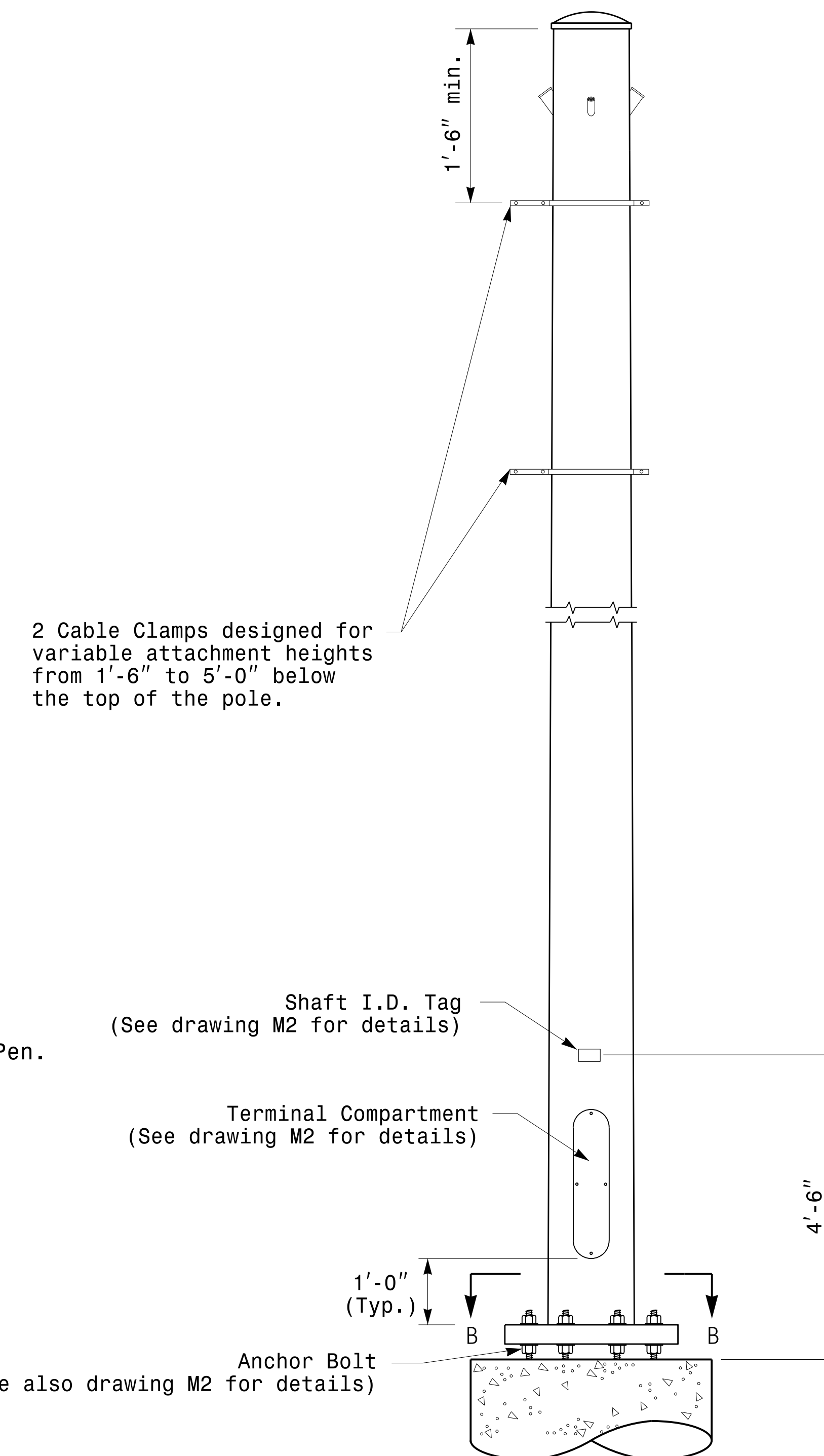
Section B-B
Pole Base Plate Details
(8 and 12 Bolt Pattern)



Section A-A
Radial Orientation for Factory Installed
Accessories at Top of Pole



Section C-C
(Pole Attachment to Base Plate)
Full-Penetration
Groove Weld Detail



Monotube Strain Pole

| | | | |
|---|---|----------------------------------|-----------------------------------|
| <p>750 N. Greenfield Pkwy, Garner, NC 27529</p> | <p>Typical Fabrication Details For Strain Poles</p> | | |
| | <p>PLAN DATE: OCTOBER 2017</p> | <p>DESIGNED BY: K.C. DURIGON</p> | |
| <p>SCALE: NONE</p> | <p>PREPARED BY: N. BITTING</p> | <p>REVIEWED BY: D.C. SARKAR</p> | <p>DocuSigned by: D.C. Sarkar</p> |
| <p>SCALE: NONE</p> | <p>REVISIONS</p> | <p>INIT. DATE</p> | <p>10/11/2017</p> |

Fabrication Details – Strain Poles