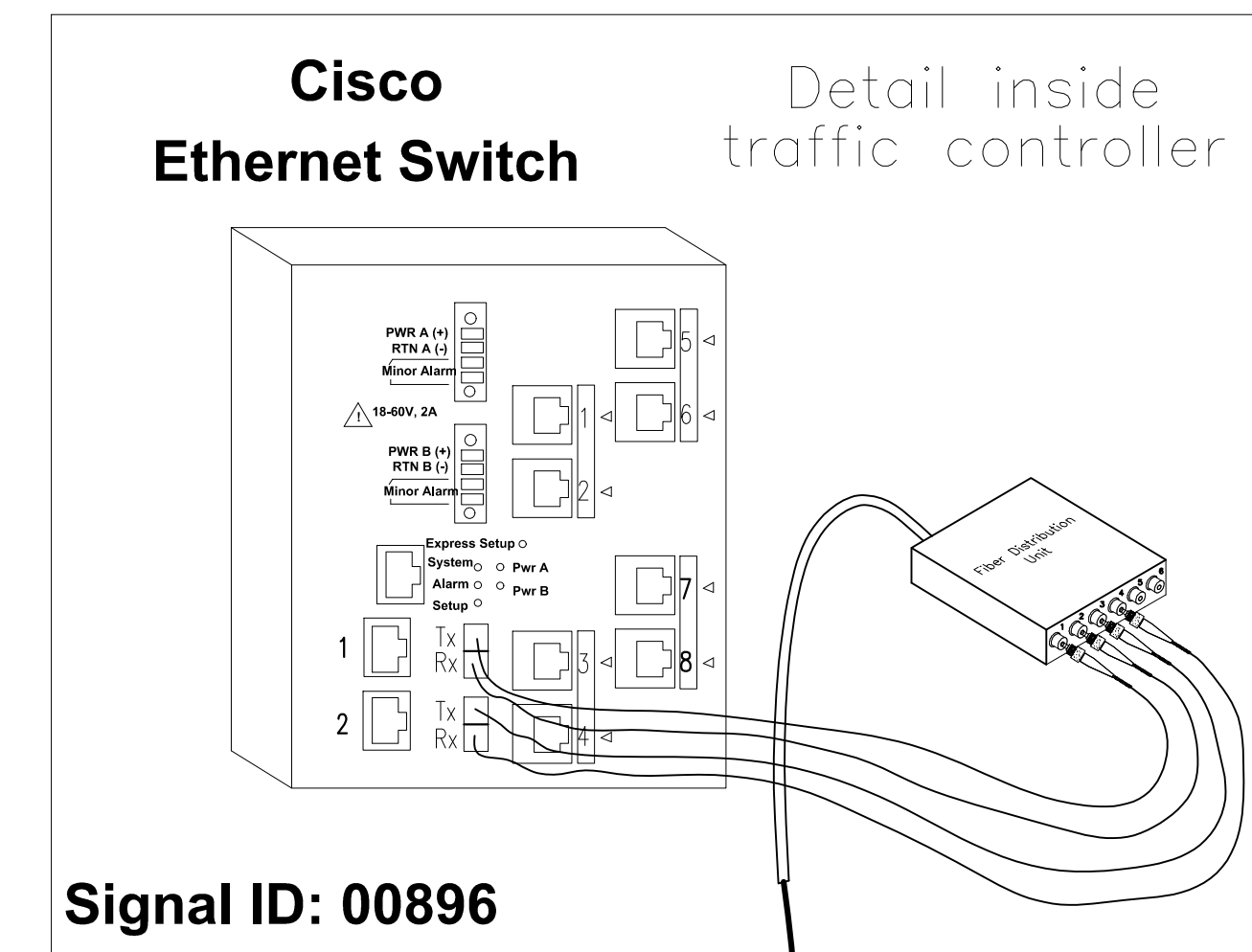


**MODIFY EXISTING SPLICE ENCLOSURE IN EXISTING MANHOLE (MH2) AT BROOKSHIRE BLVD. AT I-485 NB INNER RAMP
SIG. INV# 00896 (10-1853)**

COLOR CODE TIA/EIA 598-A		LEGEND	
(1) BLUE	(7) RED	○ EXISTING SPLICE	□ BUFFER TUBE
(2) ORANGE	(8) BLACK	● NEW SPLICE	
(3) GREEN	(9) YELLOW		
(4) BROWN	(10) VIOLET		
(5) SLATE	(11) ROSE		
(6) WHITE	(12) AQUA		



PROJECT REFERENCE NO. **I-5973**

SHEET NO. **SIG. 3.6**

Plans Prepared By: **Kimley-Horn**
481 FAYETTEVILLE STREET, SUITE 400
SALUDA, NORTH CAROLINA, 27060
PHONE: 919-477-2000

NO.	DATE	BY	REVISION DESCRIPTION

DOCUMENT NOT CONSIDERED FINAL UNLESS ALL SIGNATURES COMPLETED

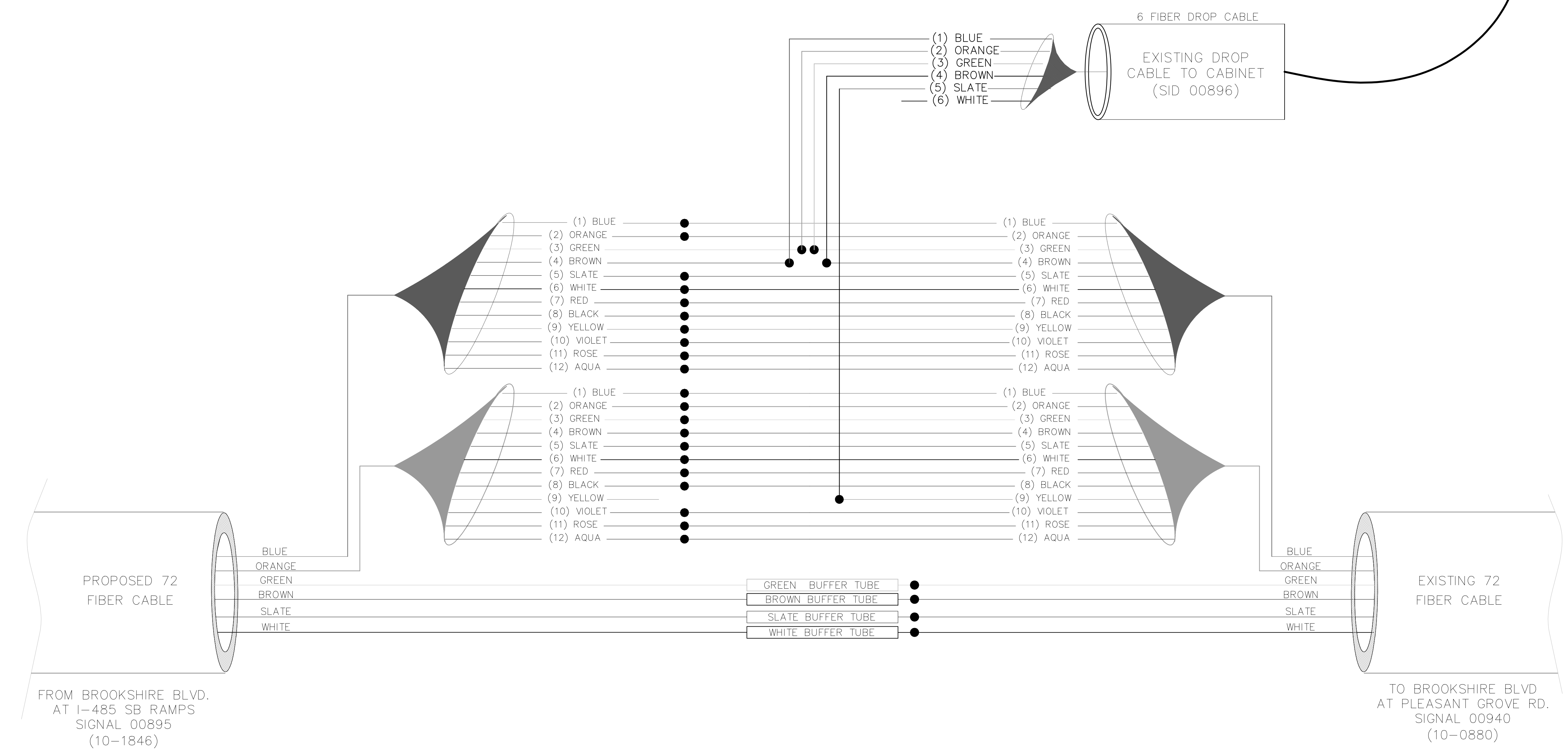
DocuSigned by: *SAI PL* 2/16/2022
0071A5ED9B431

SIGNAL NO. 00896	SLP PREPARED BY	DATE 9/2021
10-1853		
NC DOT ID NO.		

BROOKSHIRE BLVD. @ I-485 INNER RAMP

SPLICE DETAIL

SHEET **SIG3.6** OF **SIG3.6**



EXISTING SPLICE CASE IN MH# 2 (SEE SHEET CR9) AT BROOKSHIRE BLVD