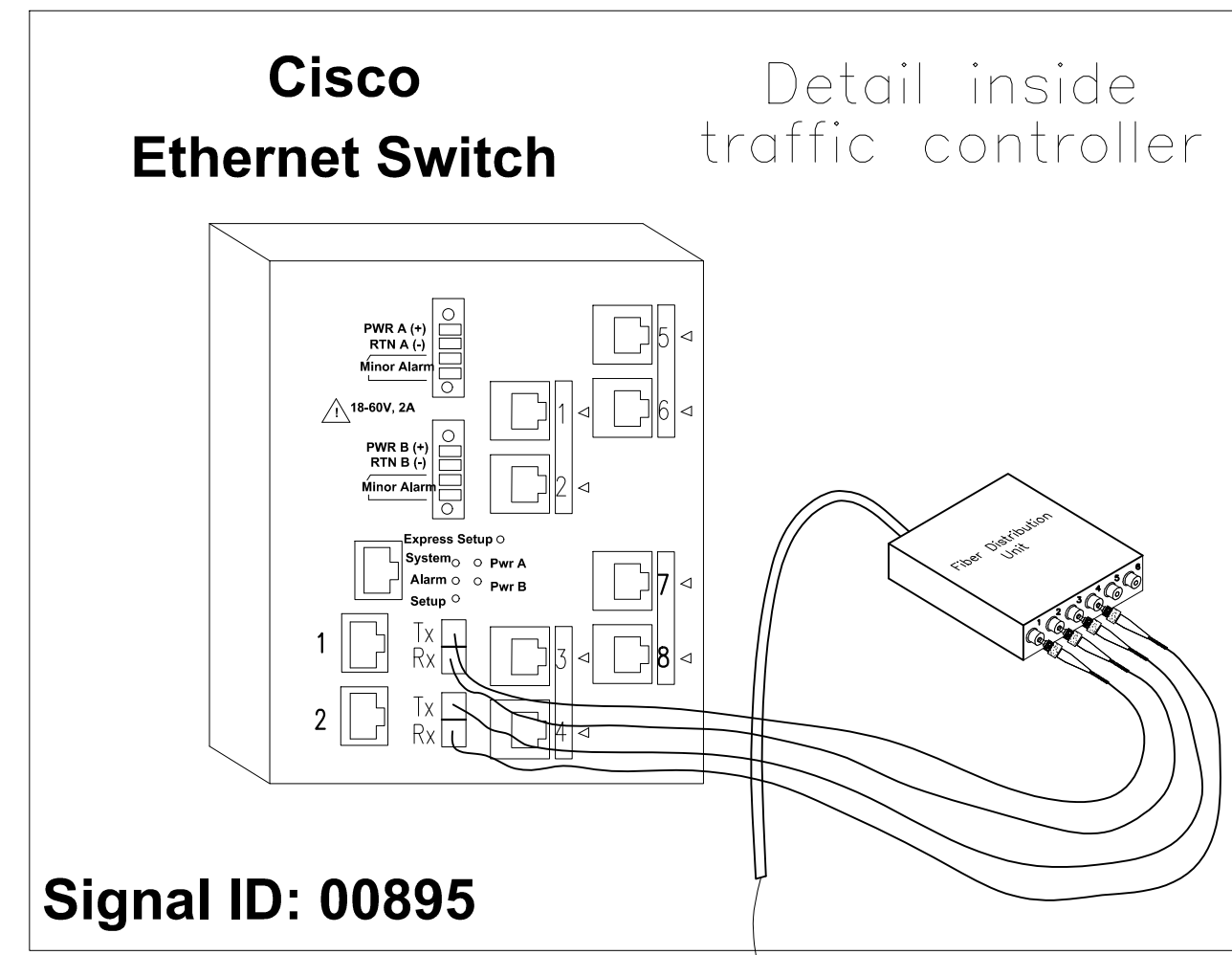
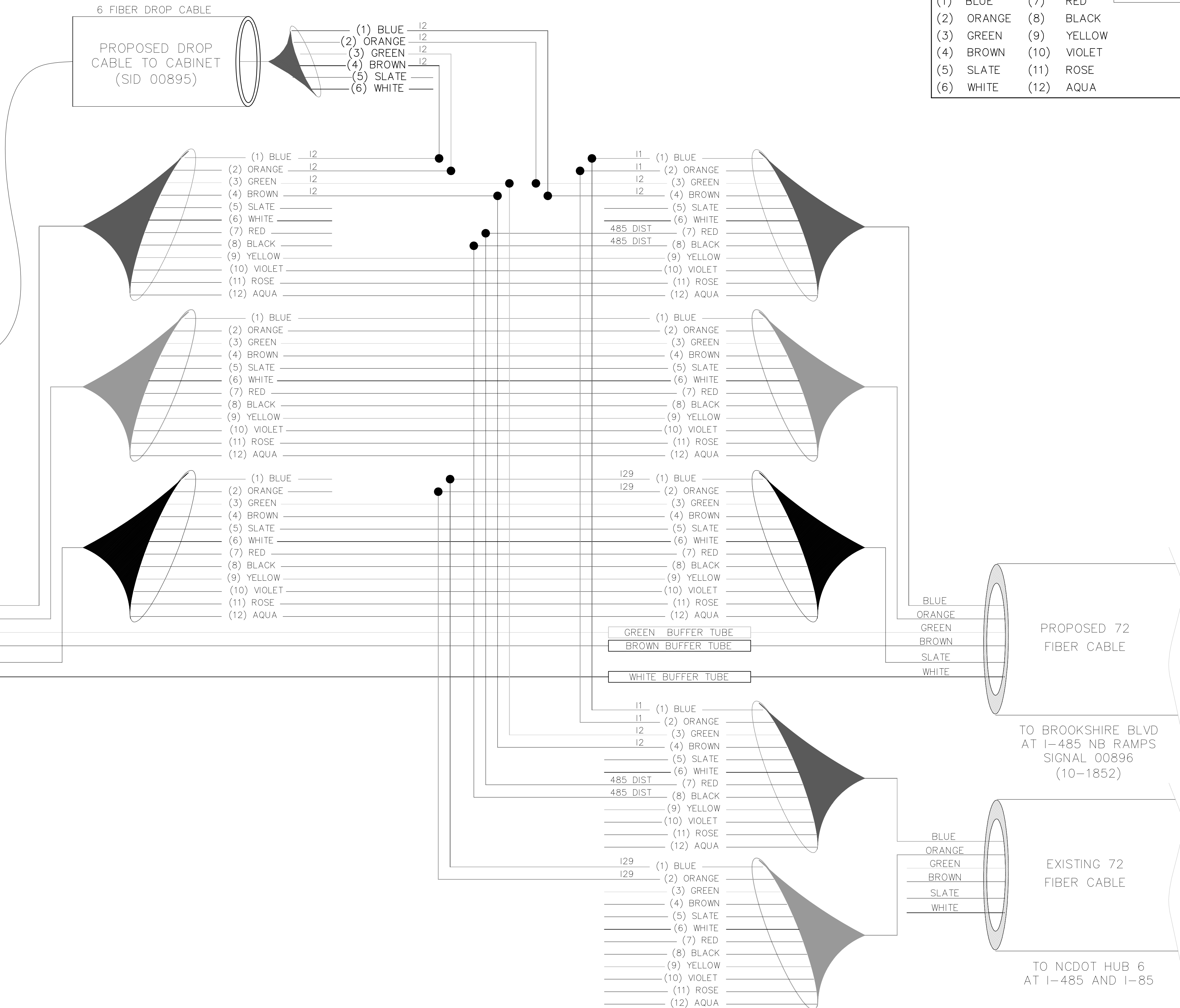


**NEW SPLICE ENCLOSURE IN NEW HANDHOLE (HH5) AT
BROOKSHIRE BLVD AT I-485 SB OUTER RAMP
SIG. INV# 00895 (10-1846)**



COLOR CODE TIA/EIA 598-A		LEGEND	
(1) BLUE	(7) RED	○ EXISTING SPLICE	□ BUFFER TUBE
(2) ORANGE	(8) BLACK	● NEW SPLICE	
(3) GREEN	(9) YELLOW		
(4) BROWN	(10) VIOLET		
(5) SLATE	(11) ROSE		
(6) WHITE	(12) AQUA		



PROJECT REFERENCE NO. **I-5973**
SHEET NO. **SIG. 2.7**

Plans Prepared By: **Kimley-Horn**
421 FAYETTEVILLE STREET, SUITE 600
RALEIGH, NORTH CAROLINA, 27601
PHONE: 919-977-6000

NO.	DATE	BY	DESCRIPTION

DOCUMENT NOT CONSIDERED FINAL UNLESS ALL SIGNATURES COMPLETED

DocuSigned by: *SAH/PA* 2/16/2022
0087658E000537

00895 SIGNAL NO.	10-1846 NCDOT ID NO.	SLP PREPARED BY	9/2021 DATE
---------------------	-------------------------	--------------------	----------------

BROOKSHIRE BLVD. @ I-485 OUTER RAMP
SHEET **SIG. 2.7** OF **SIG. 2.8**
SPLICE DETAIL

SPLICE CASE IN FIBER HH# 5 (SEE SHEET CR7) AT BROOKSHIRE BLVD