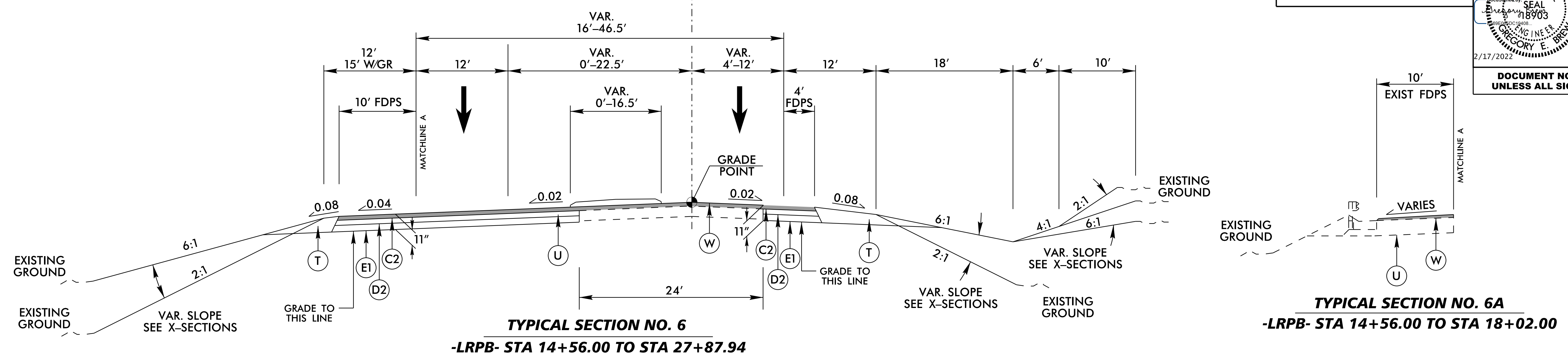


PROJECT REFERENCE NO. I-5973	SHEET NO. 2A-4
ROADWAY DESIGN ENGINEER GREGORY E. BREW 2/17/2022	PAVEMENT DESIGN ENGINEER JOSEPH T. HOLLAND 2/18/2022

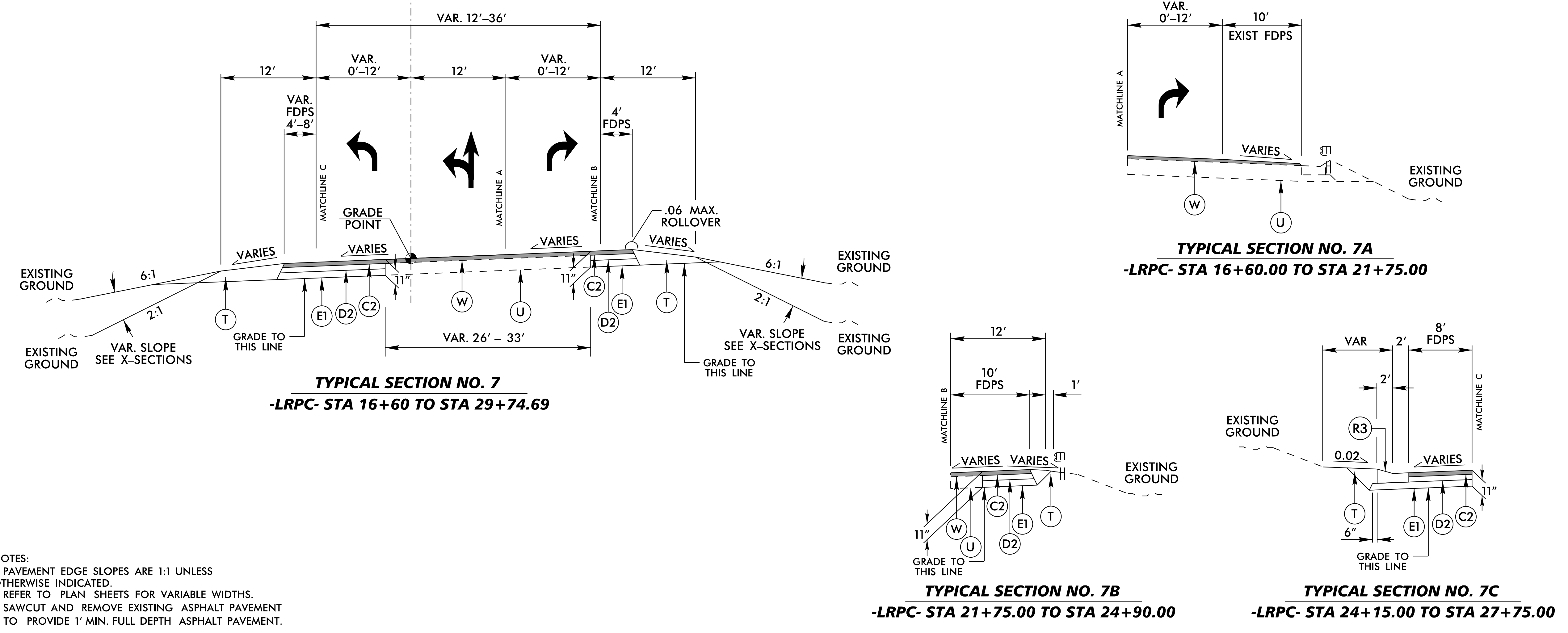
**DOCUMENT NOT CONSIDERED FINAL  
UNLESS ALL SIGNATURES COMPLETED**

REVISIONS

**-LRPB- I-485 SOUTHBOUND ON RAMP**



**-LRPC- I-485 NORTHBOUND OFF RAMP**



PRELIMINARY PAVEMENT SCHEDULE	
C1	1.5" S9.5C
C2	3" S9.5C
C3	VAR. S9.5C
D1	2.5" I19.0C
D2	4" I19.0C
D3	VAR. I19.0C
E1	4" B25.0C
E2	4.5" B25.0C
E3	7.5" B25.0C
E4	VAR. B25.0C
R1	2'-6" CURB AND GUTTER
R2	SHOULDER BERM GUTTER
R3	EXPRESSWAY GUTTER
R4	SINGLE FACED CONC. BARRIER
R5	CONCRETE MEDIAN BARRIER
T	EARTH MATERIAL
U	EXIST. PAVEMENT
V1	3" MILLING
V2	INCIDENTAL MILLING
W	VAR. WEDGING

**NOTES:**  
 1. PAVEMENT EDGE SLOPES ARE 1:1 UNLESS OTHERWISE INDICATED.  
 2. REFER TO PLAN SHEETS FOR VARIABLE WIDTHS.  
 3. SAWCUT AND REMOVE EXISTING ASPHALT PAVEMENT TO PROVIDE 1' MIN. FULL DEPTH ASPHALT PAVEMENT.

K:\CHL\PROJECTS\I-485 Brookshire\Roadway\Pro\I-5973\_rdy\_ttyp.dgn 2/17/2022