

**This electronic collection of documents is provided
for the convenience of the user
and is Not a Certified Document –**

**The documents contained herein were originally issued
and sealed by the individuals whose names and license
numbers appear on each page, on the dates appearing
with their signature on that page.**

**This file or an individual page
shall not be considered a certified document.**

**STATE OF NORTH CAROLINA
DEPARTMENT OF TRANSPORTATION**

**SIGNING PLAN
JOHNSTON COUNTY**

LOCATION: I-95 FROM MILEMARKER 97 TO MILEMARKER 99.2

PROJECT REFERENCE NO. HI - 0008	SHEET NO. SIGN - 1
DocuSigned by: <i>Ayman Alqudwah</i> F32AC5CAF868472...	
APPROVED: _____	
DATE: 08/16/2022	
SEAL	
	
DOCUMENT NOT CONSIDERED FINAL UNLESS ALL SIGNATURES COMPLETED	

T.I.P.: HI-0008

ROADWAY STANDARD DRAWING

THE FOLLOWING ROADWAY STANDARDS AS APPEAR IN "ROADWAY STANDARD DRAWINGS" - PROJECT SERVICES UNIT - N.C. DEPARTMENT OF TRANSPORTATION - RALEIGH, N.C., DATED JANUARY 2018 ARE APPLICABLE TO THIS PROJECT AND BY REFERENCE HEREBY ARE CONSIDERED A PART OF THESE PLANS:

STD. NO.	TITLE
901.10	TYPE 'A' SIGNS
901.20	TYPE 'B' SIGNS
901.50	ARROWS AND SHIELDS
901.70	SIGN STRINGERS AND SUPPORT SPACING
901.80	SIGN MOUNTING DETAILS - FOR TYPE A AND TYPE B SIGNS
904.20	SECONDARY SIGN MOUNTING

GENERAL NOTES

- . SIGNS FURNISHED BY STATE
- . CONFIRM IN WRITING AT LEAST 4 MONTHS IN ADVANCE, THE ACTUAL DATE THE DEPARTMENT FURNISHED SIGNS WILL BE REQUIRED.
- . ALL 'A' & 'B' SIGNS TO BE MOUNTED ON EXISTING SUPPORTS.

SUMMARY OF QUANTITIES

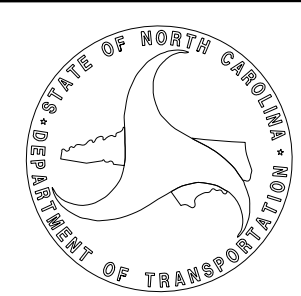
ITEM NO.		ITEM DESCRIPTION	QUANTITY	UNIT
DESC. NO.	SECT. NO.			
4110000000	904	SIGN ERECTION, TYPE A (GROUND MOUNTED)	16	EA.
4110000000	904	SIGN ERECTION, TYPE B (GROUND MOUNTED)	10	EA.
4236000000	907	DISPOSAL OF SIGN, A OR B (GROUND MOUNTED)	29	EA.

INDEX

SHEET NO.	DESCRIPTION
SIGN-1	TITLE SHEET
SIGN-2 & 2A	REVISED SIGNING ROADWAY STANDARD DRAWINGS
SIGN-3-3C	SIGN DESIGNS
SIGN-4-7	SIGNING PLAN SHEET

PLAN PREPARED BY: N.C.D.O.T. SIGNING AND DELINEATION UNIT

A.ALQUDWAH, P.E. SIGNING & DELINEATION REGIONAL ENGINEER
S.JOHNS SIGNING & DELINEATION PROJECT DESIGN ENGINEER



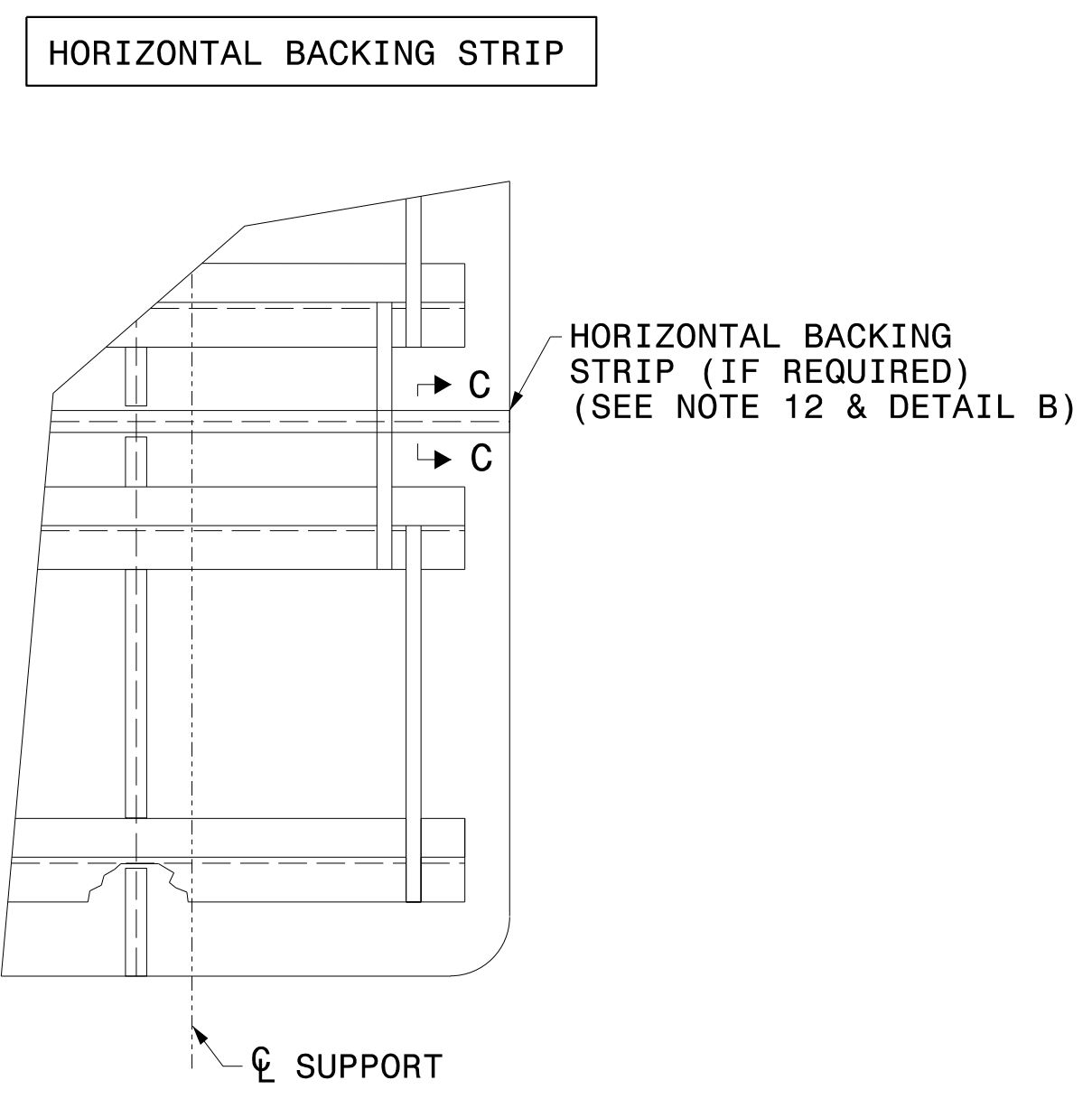
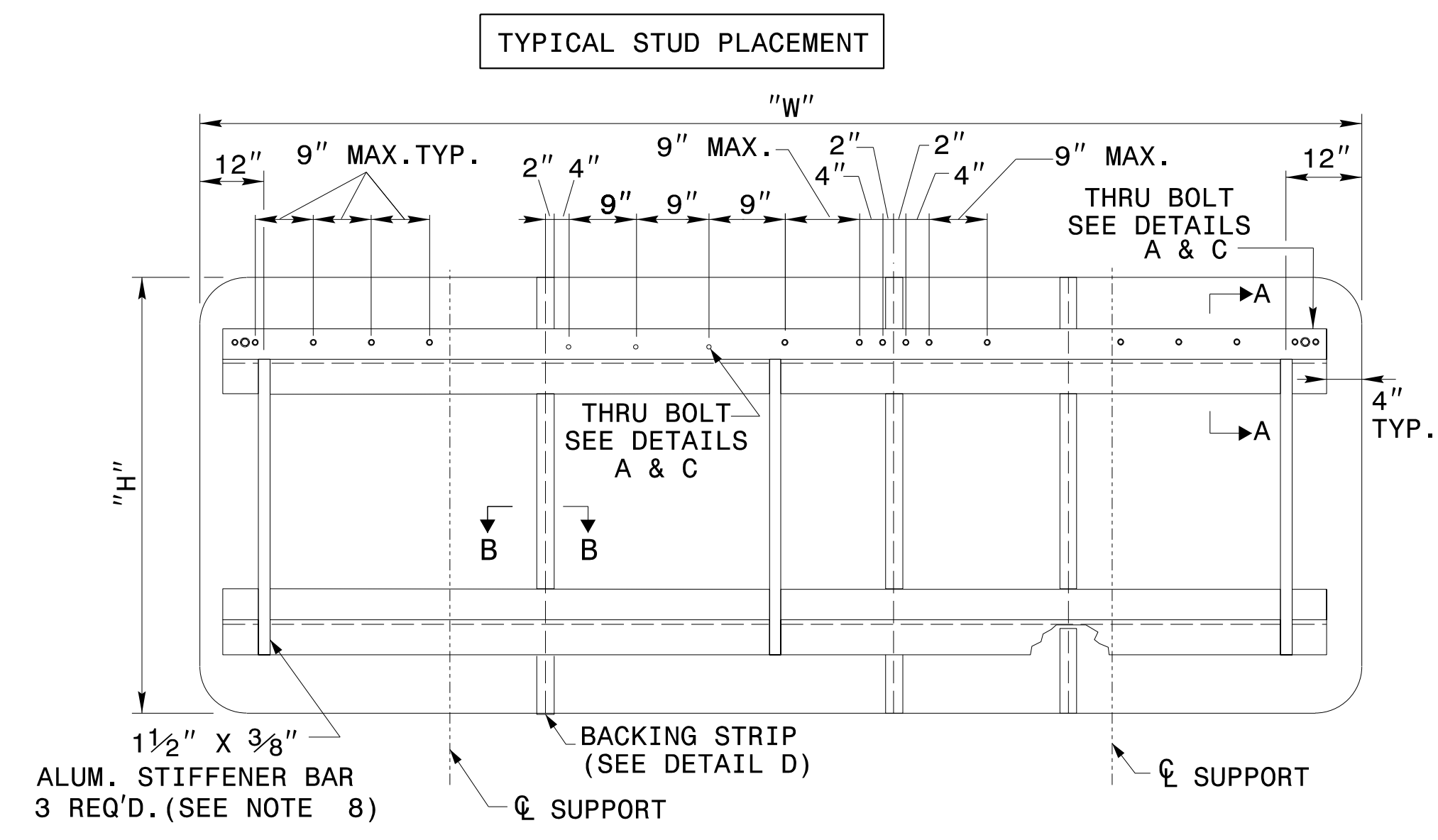
CONTRACT:

STATE OF NORTH CAROLINA
DEPT. OF TRANSPORTATION
DIVISION OF HIGHWAYS
RALEIGH, N.C.

2-19

ENGLISH DETAIL DRAWING FOR
TYPE 'A' SIGNS
WELDED STUD CONSTRUCTION

SHEET 1 OF 2
901D10



- NOTES:
1. USE THE NUMBER AND SIZE OF SUPPORTS SHOWN ON THE SUPPORT CHART IN PROJECT PLANS.
 2. FABRICATE SIGN PANEL SECTIONS WITH SHEETS 4'-0" WIDE. WHEN FABRICATING SIGNS WHICH ARE NOT MULTIPLES OF 4'-0" IN WIDTH, DO NOT CUT MORE THAN TWO SHEETS TO LESS THAN 4'-0" IN WIDTH. THESE PANELS SHALL NOT BE LESS THAN 1'-0" IN WIDTH.
 3. SEE NCDOT STANDARD SPECIFICATIONS FOR ROADS AND STRUCTURES, FOR TYPE OF MATERIAL TO BE USED FOR SIGN PANELS, HANGER ASSEMBLIES, AND SUPPORTS.
 4. USE GALVANIZED STEEL FOR BACKING PLATES AND MOUNTING BOLTS.
 5. SEE ROADWAY STANDARD 904.20 WHEN TYPE "B" SECONDARY SIGN MOUNTING IS REQUIRED.
 6. DETAILS FOR TYPE "A" SECONDARY SIGNS SHALL BE THE SAME AS FOR TYPE "A" SIGNS.
 7. THE VERTICAL DIMENSION BETWEEN PRIMARY AND SECONDARY SIGNS IS TWO (2) INCHES.
 8. ADJUST STIFFENERS TO AVOID CONFLICT WITH SUPPORTS.
 9. SEE ROADWAY STANDARD 901.70 FOR SUPPORT AND "Z" BAR SPACING.
 10. FABRICATE SIGNS TALLER THAN 12'-0" AS TWO SEPARATE SIGNS WITH A HORIZONTAL SPLICE. LOCATE STRINGERS ON EACH SECTION OF THE SIGN BY THE SIGN STRINGER CHART. (SEE ROADWAY STANDARD 901.70)
 11. FABRICATE SIGNS TALLER THAN 12'-0" BUT SHORTER THAN 14'-6" WITH A HORIZONTAL SPLICE LOCATED 7'-0" FROM BOTTOM OF SIGN.
 12. FABRICATE SIGNS 14'-6" TALL AND TALLER WITH A HORIZONTAL SPLICE. LOCATE THE SPLICE AT LEAST HALF OF THE SIGN HEIGHT FROM THE BOTTOM AND AT LEAST 7'-0" FROM THE TOP.
 13. THERE SHALL ONLY BE A 1/8" GAP BETWEEN THE VERTICAL BACKING STRIP AND THE "Z" BAR.
 14. SEE ROADWAY STANDARD 901.80 FOR DETAILS SHOWING SIGN MOUNTING TO SUPPORTS.
 15. PLACE NYLON WASHER UNDER HEAD OF 3/8" THRU BOLTS.
 16. FABRICATE EACH SIGN WITH 3/8" DIA. THRU BOLT, 4" FROM EACH END OF EACH "Z" BAR THRU SIGN PANEL AND "Z" BAR. SEE DETAILS A & C.
 17. FABRICATE EACH SIGN WITH 3/8" DIA. THRU BOLT CENTERED IN EACH PANEL THRU THE TOP AND BOTTOM "Z" BAR. CENTERED THRU BOLT REQUIRED IN END PANELS GREATER THAN 2'-0" WIDE. SEE DETAILS A & C.
 18. THRU BOLTS WILL HAVE A MINIMUM 1/16" TO MAXIMUM 1/8" GAP

STATE OF NORTH CAROLINA
DEPT. OF TRANSPORTATION
DIVISION OF HIGHWAYS
RALEIGH, N.C.

2-19

ENGLISH DETAIL DRAWING FOR
TYPE 'A' SIGNS
WELDED STUD CONSTRUCTION

SHEET 1 OF 2
901D10

09/08/21
S:\S&D\Users\johns\Div 4\HI-0008\HI-0008_Sign-2.dgn
User:johns

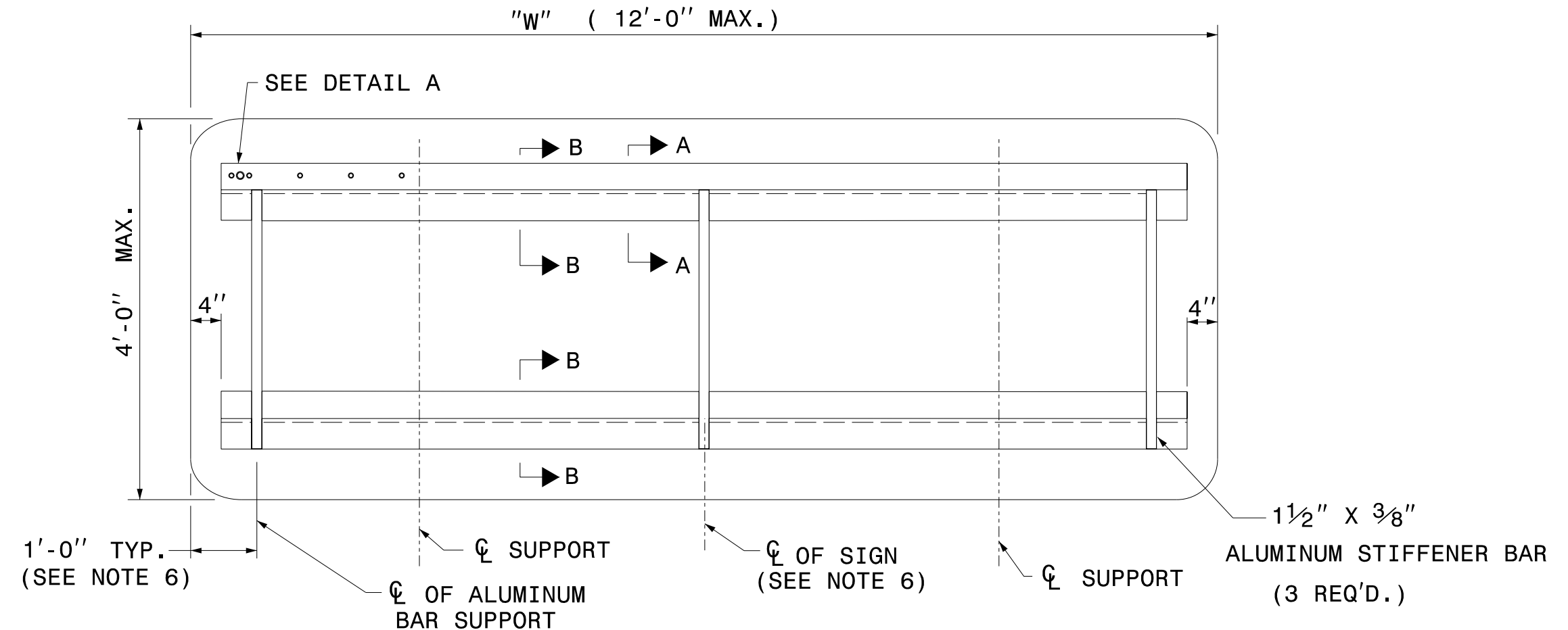
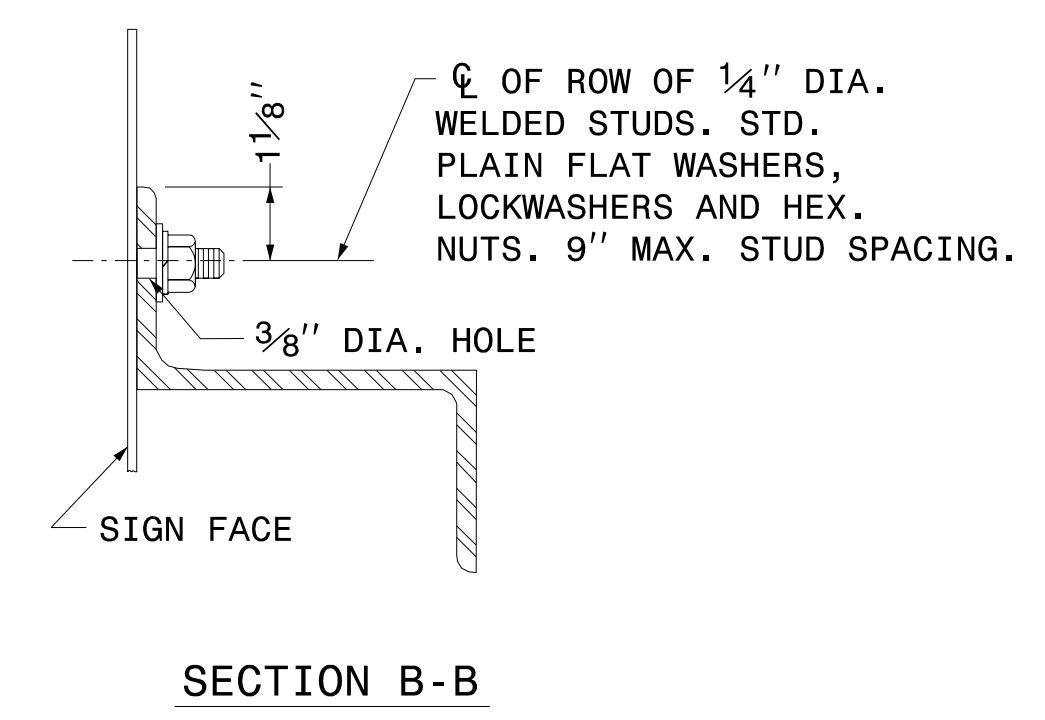
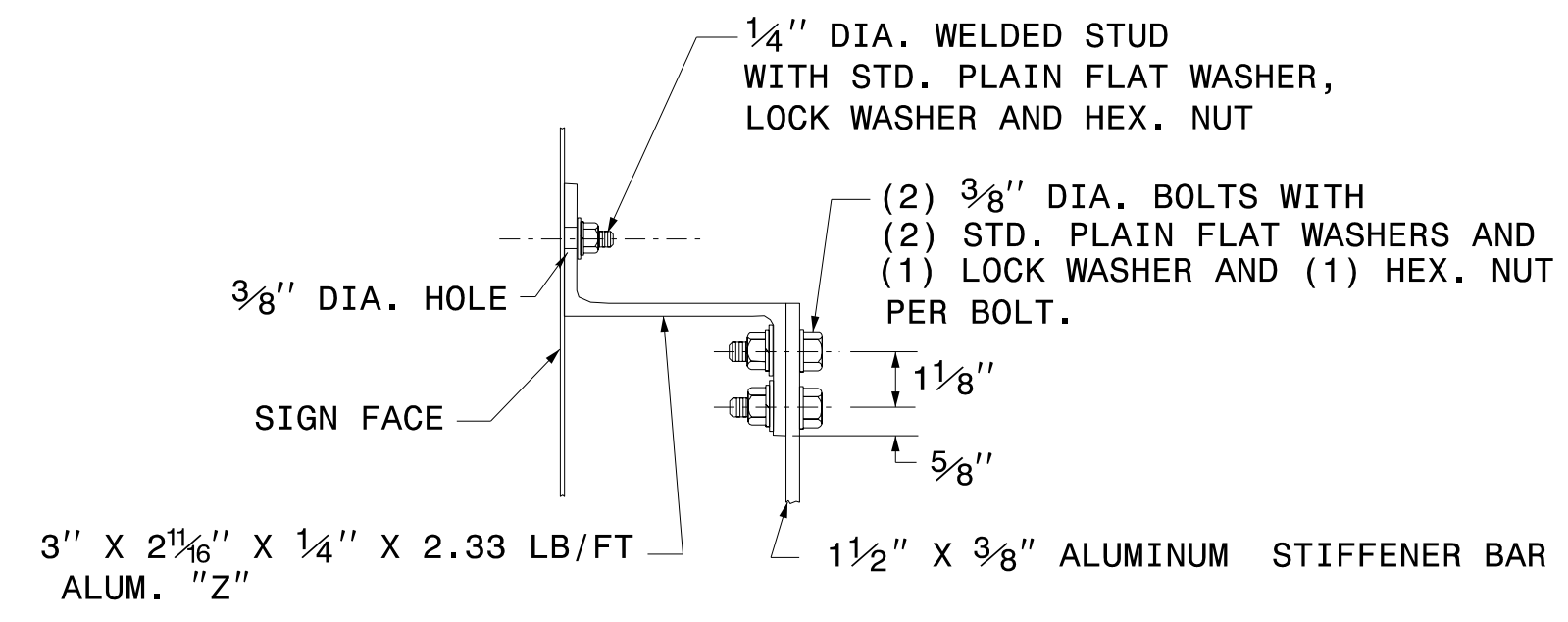
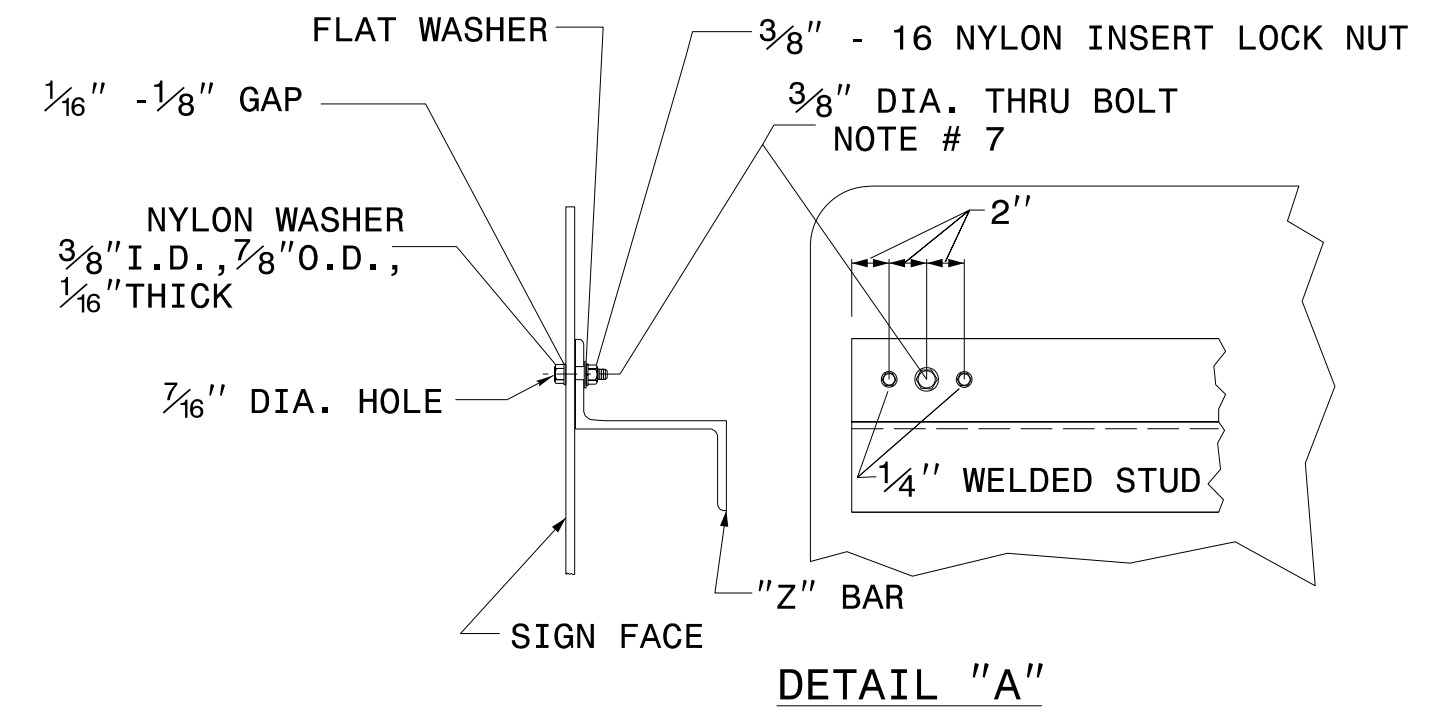


STATE OF NORTH CAROLINA
DEPT. OF TRANSPORTATION
DIVISION OF HIGHWAYS
RALEIGH, N.C.

2-19

ENGLISH DETAIL DRAWING FOR
TYPE 'B' SIGNS
WELDED STUD CONSTRUCTION

SHEET 1 OF 1
901D20



- NOTES:**
1. USE NUMBER AND SIZE OF SUPPORTS SHOWN ON SUPPORT CHART IN PROJECT PLAN SHEETS.
 2. SEE NCDOT STANDARD SPECIFICATIONS FOR ROADS AND STRUCTURES FOR THE TYPE OF MATERIAL TO BE USED FOR SIGN PANELS, HANGER ASSEMBLIES AND SUPPORTS.
 3. FURNISH ALL MOUNTING HARDWARE.
 4. USE GALVANIZED STEEL FOR BACKING PLATES AND MOUNTING BOLTS.
 5. THE VERTICAL DIMENSION BETWEEN PRIMARY AND SECONDARY SIGNS IS TWO (2) INCHES.
 6. ADJUST STIFFENERS TO AVOID CONFLICT WITH SUPPORTS.
 7. FABRICATE EACH SIGN WITH A 3/8" DIA. BOLT 4" FROM EACH END OF EACH "Z" BAR THRU SIGN PANEL AND "Z" BAR.
 8. SEE ROADWAY STANDARD 901.70 FOR SUPPORT AND "Z" BAR SPACING.
 9. SEE ROADWAY STANDARD 901.80 FOR DETAILS SHOWING SIGN MOUNTING TO SUPPORTS.
 10. PLACE NYLON WASHER UNDER HEAD OF 3/8" THRU BOLT.
 11. THRU BOLTS WILL HAVE A MINIMUM 1/16" TO MAXIMUM 1/8" GAP.

STATE OF NORTH CAROLINA
DEPT. OF TRANSPORTATION
DIVISION OF HIGHWAYS
RALEIGH, N.C.

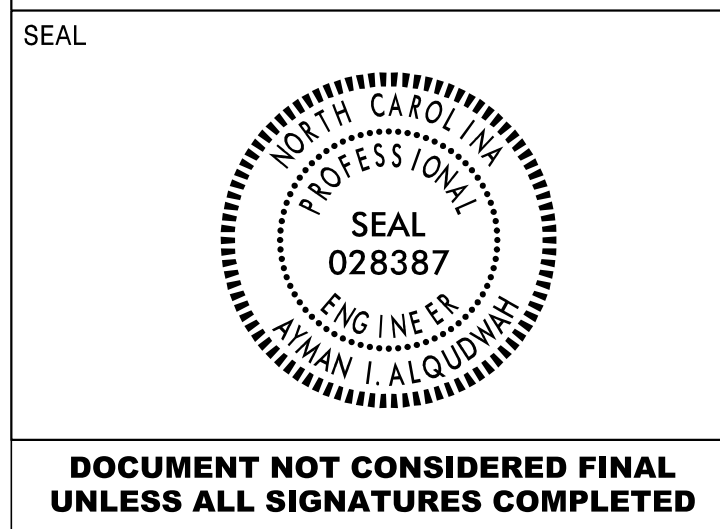
2-19

ENGLISH DETAIL DRAWING FOR
TYPE 'B' SIGNS
WELDED STUD CONSTRUCTION

SHEET 1 OF 1
901D20

09/08/21
S:\S&D\Users\johns\Div 4\HI-0008\HI-0008_Sign-2A.dgn
User:johns

APPROVED: *Agwan Alqudwah*
 DATE: 9/8/2021



DOCUMENT NOT CONSIDERED FINAL UNLESS ALL SIGNATURES COMPLETED

SIGN NUMBER: 701A,702A,704A **BACKG COLOR:** Green
TYPE: B **COPY COLOR:** White
QUANTITY: 3

SYMBOL	X	Y	WID	HT
M1_4	84	125.9	36	36

SIGN WIDTH: 9'-6" **HEIGHT:** 2'-6"
TOTAL AREA: 23.8 Sq.Ft.

BORDER TYPE: FLUSH
RECESS: 0"
WIDTH: 2"
RADII: 3"

NO. Z BARS: 2 **MAT'L:** 0.125" (3.2 mm) ALUMINUM
LENGTH: 106.0

DESIGN BY: S.JOHNS **CHECKED BY:** A.ALQUDWAH **Jul 13, 2021**
PROJECT ID: HI-0008 **LOCATION:** I-95 - JOHNSTON CO. **DIV:** 4

USE NOTES:
 1. Legend and border(except those that are colored black) shall be direct applied Grade C sheeting.
 2. Background shall be Grade C reflective sheeting.

Spacing Factor is 1 unless specified otherwise

LETTER POSITIONS

Letter spacings are to start of next letter											Series/Size
	E	X	I	T	9	7					Text Length
	21.2	8.9	10.7	3.5	7.5	15	13.8	12.2			E 2000
											71.6

FILENAME: HI-00008 Sign Designs NORTH CAROLINA D.O.T. SIGN DETAIL

SIGN NUMBER: 702B **BACKG COLOR:** Green
TYPE: A **COPY COLOR:** White
QUANTITY: 1

SYMBOL	X	Y	WID	HT
M1_4	84	125.9	36	36

SIGN WIDTH: 17'-0" **HEIGHT:** 15'-0"
TOTAL AREA: 255.0 Sq.Ft.

BORDER TYPE: FLUSH
RECESS: 0"
WIDTH: 2"
RADII: 12"

NO. Z BARS: 6 **MAT'L:** 0.125" (3.2 mm) ALUMINUM
LENGTH: 196.0

DESIGN BY: S.JOHNS **CHECKED BY:** A.ALQUDWAH **Jul 13, 2021**
PROJECT ID: HI-0008 **LOCATION:** I-95 - JOHNSTON CO. **DIV:** 4

USE NOTES:
 1. Legend and border(except those that are colored black) shall be direct applied Grade C sheeting.
 2. Background shall be Grade C reflective sheeting.
 3. Shields; A, B, and C type arrows shall be on 0.032" (0.8mm) aluminum and demountable.

Spacing Factor is 1 unless specified otherwise

LETTER POSITIONS

Letter spacings are to start of next letter											Series/Size	
	S	e	i	m	o	64.6					Text Length	
	64.6	16.5	15.5	9.6	22.6	10.6	64.6					EM 2000
											74.7	
	36.8	16.8	9.6	15.5	10.6	16	13.9	13.8	15.5	3.2	36.8	EM 2000
												130.4
	40.9	16.3	15.8	8.2	15.2	15.5	14.1	15.8	10.4	10.9	40.9	EM 2000
												122.2
	67	22	15	12	4.4	9.2	7.5	67			E 2000	
												70.1

FILENAME: HI-00008 Sign Designs NORTH CAROLINA D.O.T. SIGN DETAIL

SIGN NUMBER: 701B **BACKG COLOR:** Green
TYPE: A **COPY COLOR:** White
QUANTITY: 1

SYMBOL	X	Y	WID	HT
M1_4	84	139.9	36	36
AR_Type A	84	16.1	22.4	35.3

SIGN WIDTH: 17'-0" **HEIGHT:** 16'-0"
TOTAL AREA: 272.0 Sq.Ft.

BORDER TYPE: FLUSH
RECESS: 0"
WIDTH: 2"
RADII: 12"

NO. Z BARS: 6 **MAT'L:** 0.125" (3.2 mm) ALUMINUM
LENGTH: 196.0

DESIGN BY: S.JOHNS **CHECKED BY:** A.ALQUDWAH **Jul 13, 2021**
PROJECT ID: HI-0008 **LOCATION:** I-95 - JOHNSTON CO. **DIV:** 4

USE NOTES:
 1. Legend and border(except those that are colored black) shall be direct applied Grade C sheeting.
 2. Background shall be Grade C reflective sheeting.
 3. Shields; A, B, and C type arrows shall be on 0.032" (0.8mm) aluminum and demountable.

Spacing Factor is 1 unless specified otherwise

LETTER POSITIONS

Letter spacings are to start of next letter											Series/Size	
	S	e	i	m	a	64.6					Text Length	
	64.6	16.5	15.5	9.6	22.6	10.6	64.6					EM 2000
											74.7	
	36.8	16.8	9.6	15.5	10.6	16	13.9	13.8	15.5	3.2	36.8	EM 2000
												130.4
	40.9	16.3	15.8	8.2	15.2	15.5	14.1	15.8	10.4	10.9	40.9	EM 2000
												122.2

FILENAME: HI-00008 Sign Designs NORTH CAROLINA D.O.T. SIGN DETAIL

SIGN NUMBER: 703A **BACKG COLOR:** Blue
TYPE: A **COPY COLOR:** White
QUANTITY: 1

SYMBOL	X	Y	WID	HT
M1_4	84	125.9	36	36

SIGN WIDTH: 18'-0" **HEIGHT:** 2'-6"
TOTAL AREA: 45.0 Sq.Ft.

BORDER TYPE: FLUSH
RECESS: 0"
WIDTH: 2"
RADII: 3"

NO. Z BARS: 2 **MAT'L:** 0.125" (3.2 mm) ALUMINUM
LENGTH: 208.0

DESIGN BY: S.JOHNS **CHECKED BY:** A.ALQUDWAH **Jul 13, 2021**
PROJECT ID: HI-0008 **LOCATION:** I-95 - JOHNSTON CO. **DIV:** 4

USE NOTES:
 1. Legend and border(except those that are colored black) shall be direct applied Grade C sheeting.
 2. Background shall be Grade C reflective sheeting.

Spacing Factor is 1 unless specified otherwise

LETTER POSITIONS

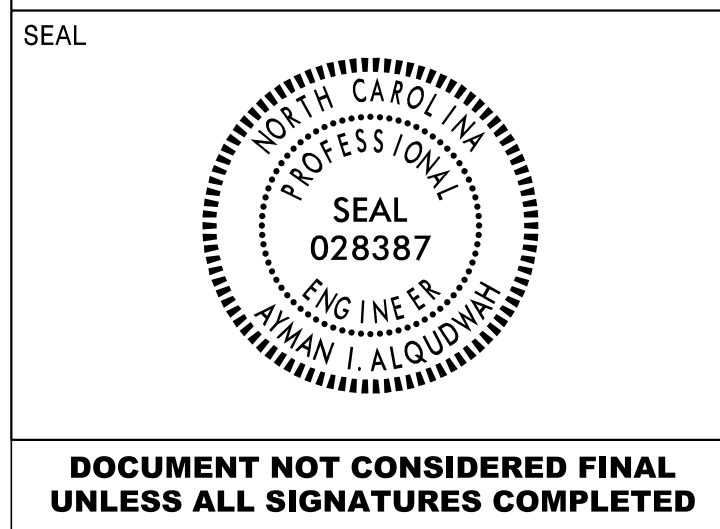
Letter spacings are to start of next letter											Series/Size
	H	O	S	P	I	T	A	L			Text Length
	59.5	14	14	14.1	13.2	5.1	10.9	15.9	9.9	59.5	EM 2000
											97

FILENAME: HI-00008 Sign Designs NORTH CAROLINA D.O.T. SIGN DETAIL

09/08/21 S:\S&LU\Eastern\Div 4\HI-0008\HI-0008_Sign-3.dgn Users:johns

SIGN DESIGNS

APPROVED: *Agman Alqudwah*
 DATE: 9/8/2021



DOCUMENT NOT CONSIDERED FINAL UNLESS ALL SIGNATURES COMPLETED

SIGN NUMBER: 703B **BACKG COLOR:** Brown/Brown/Brown **DESIGN BY:** S. JOHNS **CHECKED BY:** A. ALQUDWAH **Jul 13, 2021**
TYPE: A **COPY COLOR:** White **PROJECT ID:** HI-0008 **LOCATION:** I-95 - JOHNSTON CO. **DIV:** 4
QUANTITY: 1

SYMBOL	X	Y	WID	HT

SIGN WIDTH: 18'-0" **HEIGHT:** 12'-0" **TOTAL AREA:** 216.0 Sq.Ft.
BORDER TYPE: FLUSH **RECESS:** 0" **WIDTH:** 2" **RADII:** 12"
MAT'L: 0.125" (3.2 mm) ALUMINUM
NO. Z BARS: 3 **LENGTH:** 208.0

USE NOTES:
 1. Legend and border(except those that are colored black) shall be direct applied Grade C sheeting.
 2. Background shall be Grade C reflective sheeting.

LETTER POSITIONS

Letter spacings are to start of next letter													Series/Size						
													Text Length						
	T	r	y	o	n	P	a	l	a	c	e		EM 2000						
39	13.1	8.4	14	13.2	8.8	13.3	12.8	14.1	6.8	12.9	11.7	8.8	39	138					
	N	C	A	q	u	a	r	i	u	m	s		EM 2000						
31	14	10.8	13.3	15.5	14.1	12.9	14.1	9.9	8	14.1	18.5	8.8	31	154.1					
	C	a	p	e	L	o	o	k	o	u	t		EM 2000						
36.6	13.3	14.1	11.7	8.8	13.3	11.6	12	13.2	11.7	13.2	12.8	6.9	36.6	142.8					
	N	o	t	i	o	n	a	l	S	e	a	s	h	o	r	e	EM 2000		
10.1	14.1	12.8	11.2	6.8	13.2	12.9	14.1	2.7	13.3	13.7	11.7	12.7	12.9	12.9	13.2	8.7	8.8	10.1	195.8
	E	X	I	T	9	7													EM 2000
79	7	8.6	3	5.9	12	11.6	9.7	79											58

FILENAME: HI-00008 Sign Designs NORTH CAROLINA D.O.T. SIGN DETAIL

SIGN NUMBER: 705B,712B **BACKG COLOR:** Green **DESIGN BY:** S. JOHNS **CHECKED BY:** A. ALQUDWAH **Jul 13, 2021**
TYPE: A **COPY COLOR:** White **PROJECT ID:** HI-0008 **LOCATION:** I-95 - JOHNSTON CO. **DIV:** 4
QUANTITY: 2

SYMBOL	X	Y	WID	HT

SIGN WIDTH: 8'-6" **HEIGHT:** 5'-0" **TOTAL AREA:** 42.5 Sq.Ft.
BORDER TYPE: FLUSH **RECESS:** 0" **WIDTH:** 2" **RADII:** 9"
MAT'L: 0.125" (3.2 mm) ALUMINUM
NO. Z BARS: 2 **LENGTH:** 94.0

USE NOTES:
 1. Legend and border(except those that are colored black) shall be direct applied Grade C sheeting.
 2. Background shall be Grade C reflective sheeting.

LETTER POSITIONS

Letter spacings are to start of next letter													Series/Size
													Text Length
	S	e	l	m	a								EM 2000
13.6	16.5	15.5	9.6	22.6	10.6	13.6							74.7
	1/2	M	I	L	E								E 2000
16	22	15	12	4.4	9.2	7.5	16						70.1

FILENAME: HI-00008 Sign Designs NORTH CAROLINA D.O.T. SIGN DETAIL

SIGN NUMBER: 704B **BACKG COLOR:** Green **DESIGN BY:** S. JOHNS **CHECKED BY:** A. ALQUDWAH **Jul 13, 2021**
TYPE: A **COPY COLOR:** White **PROJECT ID:** HI-0008 **LOCATION:** I-95 - JOHNSTON CO. **DIV:** 4
QUANTITY: 1

SYMBOL	X	Y	WID	HT
M1_4	84	125.9	36	36

SIGN WIDTH: 17'-0" **HEIGHT:** 15'-0" **TOTAL AREA:** 255.0 Sq.Ft.
BORDER TYPE: FLUSH **RECESS:** 0" **WIDTH:** 2" **RADII:** 12"
MAT'L: 0.125" (3.2 mm) ALUMINUM
NO. Z BARS: 6 **LENGTH:** 196.0

USE NOTES:
 1. Legend and border(except those that are colored black) shall be direct applied Grade C sheeting.
 2. Background shall be Grade C reflective sheeting.
 3. Shields; A, B, and C type arrows shall be on 0.032" (0.8mm) aluminum and demountable.

LETTER POSITIONS

Letter spacings are to start of next letter													Series/Size
													Text Length
	S	e	l	m	a								EM 2000
64.6	16.5	15.5	9.6	22.6	10.6	64.6							74.7
	P	i	n	e	L	e	v	e	l				EM 2000
36.8	16.8	9.6	15.5	10.6	16	13.9	13.8	15.5	15.5	3.2	36.8		130.4
	G	o	l	d	s	b	o	r	o				EM 2000
40.9	16.3	15.8	8.2	15.2	15.5	14.1	15.8	10.4	10.9	40.9			122.2
	1/2	M	I	L	E								E 2000
67	22	15	12	4.4	9.2	7.5	67						70.1

FILENAME: HI-00008 Sign Designs NORTH CAROLINA D.O.T. SIGN DETAIL

SIGN NUMBER: 705A,707A,708A,709A,710A,712A **BACKG COLOR:** Green **DESIGN BY:** S. JOHNS **CHECKED BY:** A. ALQUDWAH **Jul 13, 2021**
TYPE: B **COPY COLOR:** White **PROJECT ID:** HI-0008 **LOCATION:** I-95 - JOHNSTON CO. **DIV:** 4
QUANTITY: 6

SYMBOL	X	Y	WID	HT

SIGN WIDTH: 8'-0" **HEIGHT:** 2'-6" **TOTAL AREA:** 20.0 Sq.Ft.
BORDER TYPE: FLUSH **RECESS:** 0" **WIDTH:** 2" **RADII:** 3"
MAT'L: 0.125" (3.2 mm) ALUMINUM
NO. Z BARS: 2 **LENGTH:** 88.0

USE NOTES:
 1. Legend and border(except those that are colored black) shall be direct applied Grade C sheeting.
 2. Background shall be Grade C reflective sheeting.

LETTER POSITIONS

Letter spacings are to start of next letter													Series/Size
													Text Length
	E	X	I	T	9	8							E 2000
12	8.9	10.7	3.5	7.5	15	14.2	12.2	12					72

FILENAME: HI-00008 Sign Designs NORTH CAROLINA D.O.T. SIGN DETAIL

09/08/21 S:\S&LU\Eastern\Div 4\HI-0008\HI-0008_Sign_3A.dgn Users:sjohns

SIGN DESIGNS

APPROVED: *Agman Alqudwah*
 DATE: 08/16/2022



DOCUMENT NOT CONSIDERED FINAL UNLESS ALL SIGNATURES COMPLETED

SIGN NUMBER: 7078,710B BACKG COLOR: Green
 TYPE: A COPY COLOR: White
 QUANTITY: 2

SYMBOL	X	Y	WID	HT

SIGN WIDTH: 8'-6"
 HEIGHT: 5'-0"
 TOTAL AREA: 42.5 Sq.Ft.

BORDER TYPE: FLUSH
 RECESS: 0"
 WIDTH: 2"
 RADII: 9"

NO. Z BARS: 2 MAT'L: 0.125" (3.2 mm) ALUMINUM
 LENGTH: 94.0

DESIGN BY: S.JOHNS CHECKED BY: A.ALQUDWAH Jul 13, 2021
 PROJECT ID: HI-0008 LOCATION: I-95 - JOHNSTON CO. DIV: 4

USE NOTES:
 1. Legend and border(except those that are colored black) shall be direct applied Grade C sheeting.
 2. Background shall be Grade C reflective sheeting.

LETTER POSITIONS

Letter spacings are to start of next letter

Series/Size	Text Length
EM 2000	74.7
E 2000	70.1

FILENAME: HI-00008 Sign Designs NORTH CAROLINA D.O.T. SIGN DETAIL

SIGN NUMBER: 706,713 BACKG COLOR: Green/Brown
 TYPE: A COPY COLOR: White
 QUANTITY: 2

SYMBOL	X	Y	WID	HT

SIGN WIDTH: 15'-6"
 HEIGHT: 9'-0"
 TOTAL AREA: 139.5 Sq.Ft.

BORDER TYPE: FLUSH
 RECESS: 0"
 WIDTH: 2"
 RADII: 12"

NO. Z BARS: 3 MAT'L: 0.125" (3.2 mm) ALUMINUM
 LENGTH: 178.0

DESIGN BY: S.JOHNS CHECKED BY: A.ALQUDWAH Jul 13, 2021
 PROJECT ID: HI-0008 LOCATION: I-95 - JOHNSTON CO. DIV: 4

USE NOTES:
 1. Legend and border(except those that are colored black) shall be direct applied Grade C sheeting.
 2. Background shall be Grade C reflective sheeting.

LETTER POSITIONS

Letter spacings are to start of next letter

Series/Size	Text Length
EM 2000	167.8
EM 2000	82.1
EM 2000	148
EM 2000	58.5

FILENAME: HI-00008 Sign Designs NORTH CAROLINA D.O.T. SIGN DETAIL

SIGN NUMBER: 708B,709B BACKG COLOR: Green
 TYPE: A COPY COLOR: White
 QUANTITY: 2

SYMBOL	X	Y	WID	HT
AR_Type A	37.1	8.1	22.4	35.3

SIGN WIDTH: 8'-6"
 HEIGHT: 6'-0"
 TOTAL AREA: 51.0 Sq.Ft.

BORDER TYPE: FLUSH
 RECESS: 0"
 WIDTH: 2"
 RADII: 9"

NO. Z BARS: 2 MAT'L: 0.125" (3.2 mm) ALUMINUM
 LENGTH: 94.0

DESIGN BY: S.JOHNS CHECKED BY: A.ALQUDWAH Jul 13, 2021
 PROJECT ID: HI-0008 LOCATION: I-95 - JOHNSTON CO. DIV: 4

USE NOTES:
 1. Legend and border(except those that are colored black) shall be direct applied Grade C sheeting.
 2. Background shall be Grade C reflective sheeting.
 3. Shields; A, B, and C type arrows shall be on 0.032" (0.8mm) aluminum and demountable.

LETTER POSITIONS

Letter spacings are to start of next letter

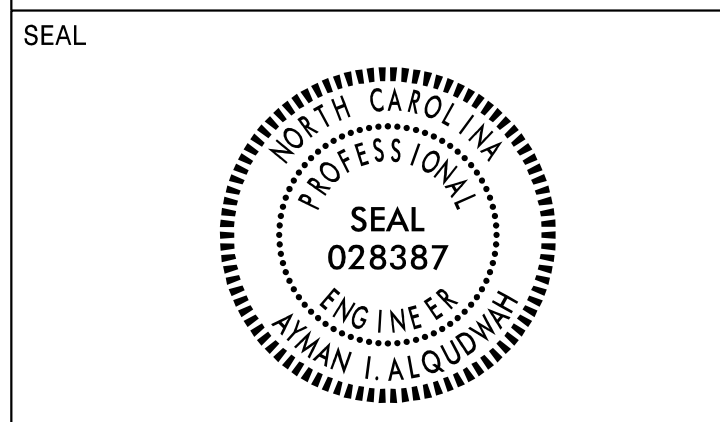
Series/Size	Text Length
EM 2000	74.7

FILENAME: HI-00008 Sign Designs NORTH CAROLINA D.O.T. SIGN DETAIL

08/16/22 S:\S&LU\Eastern\Div 4\HI-0008\HI-0008_Sign_3B.dgn Users\johns

SIGN DESIGNS

APPROVED: *Agwan Alqudwah*
FS2AC5CAF968472...
 DATE: 9/8/2021



**DOCUMENT NOT CONSIDERED FINAL
 UNLESS ALL SIGNATURES COMPLETED**

SIGN NUMBER: 711 **BACKG COLOR:** Green
TYPE: B **COPY COLOR:** White
QUANTITY: 1

SYMBOL	X	Y	WID	HT

SIGN WIDTH: 7'-6"
HEIGHT: 4'-0"
TOTAL AREA: 30.0 Sq.Ft.

BORDER TYPE: FLUSH
RECESS: 0"
WIDTH: 1"
RADII: 3"
MAT'L: 0.125" (3.2 mm) ALUMINUM

NO. Z BARS: 2
LENGTH: 82.0

DESIGN BY: S.JOHNS **CHECKED BY:** A.ALQUDWAH **Aug 20, 2021**
PROJECT ID: HI-0008 **LOCATION:** I-95 - JOHNSTON CO. **DIV:** 4

USE NOTES: 1,2
 1. Legend and border(except those that are colored black) shall be direct applied Grade C sheeting.
 2. Background shall be Grade C reflective sheeting.

Spacing Factor is 1 unless specified otherwise

LETTER POSITIONS

Letter spacings are to start of next letter

	W	e	l	c	o	m	e	T	o		Series/Size Text Length						
	8.2	9.7	7.8	4.1	7	7.9	11.3	5.3	8	7.1	5.4	8.2	EM 2000				
													73.6				
	25	8.1	7.6	7.4	8.9	8.2	25						E 2000				
													40.1				
	17	5	4.2	3.8	1.9	4.7	4.6	3.1	5	4.5	3.9	4.2	3.9	3.9	3.4	17	D 2000
																	56.1

FILENAME: HI-00008 Sign Designs NORTH CAROLINA D.O.T. SIGN DETAIL

SIGN NUMBER: 715,716 **BACKG COLOR:** Green
TYPE: A **COPY COLOR:** White
QUANTITY: 2

SYMBOL	X	Y	WID	HT
AR_Type A	49	6	18.3	29.3

SIGN WIDTH: 6'-6"
HEIGHT: 5'-0"
TOTAL AREA: 32.5 Sq.Ft.

BORDER TYPE: FLUSH
RECESS: 0"
WIDTH: 1.5"
RADII: 6"
MAT'L: 0.125" (3.2 mm) ALUMINUM

NO. Z BARS: 2
LENGTH: 70.0

DESIGN BY: S.JOHNS **CHECKED BY:** A.ALQUDWAH **Jul 13, 2021**
PROJECT ID: HI-0008 **LOCATION:** I-95 - JOHNSTON CO. **DIV:** 4

USE NOTES:
 1. Legend and border(except those that are colored black) shall be direct applied Grade C sheeting.
 2. Background shall be Grade C reflective sheeting.
 3. Shields; A, B, and C type arrows shall be on 0.032" (0.8mm) aluminum and demountable.

Spacing Factor is 1 unless specified otherwise

LETTER POSITIONS

Letter spacings are to start of next letter

	E	X	I	T		Series/Size Text Length	
	16.8	12.8	15.8	6.8	9	16.8	E 2000
							44.4
		9	8				E 2000
							31.7

FILENAME: HI-00008 Sign Designs NORTH CAROLINA D.O.T. SIGN DETAIL

SIGN NUMBER: 714 **BACKG COLOR:** Green
TYPE: A **COPY COLOR:** White
QUANTITY: 1

SYMBOL	X	Y	WID	HT
AR_Type A	49	6	18.3	29.3

SIGN WIDTH: 6'-6"
HEIGHT: 5'-0"
TOTAL AREA: 32.5 Sq.Ft.

BORDER TYPE: FLUSH
RECESS: 0"
WIDTH: 1.5"
RADII: 6"
MAT'L: 0.125" (3.2 mm) ALUMINUM

NO. Z BARS: 2
LENGTH: 70.0

DESIGN BY: S.JOHNS **CHECKED BY:** A.ALQUDWAH **Jul 13, 2021**
PROJECT ID: HI-0008 **LOCATION:** I-95 - JOHNSTON CO. **DIV:** 4

USE NOTES:
 1. Legend and border(except those that are colored black) shall be direct applied Grade C sheeting.
 2. Background shall be Grade C reflective sheeting.
 3. Shields; A, B, and C type arrows shall be on 0.032" (0.8mm) aluminum and demountable.

Spacing Factor is 1 unless specified otherwise

LETTER POSITIONS

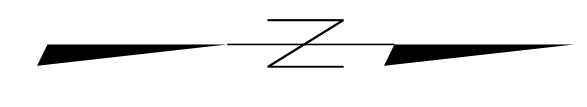
Letter spacings are to start of next letter

	E	X	I	T		Series/Size Text Length	
	16.8	12.8	15.8	6.8	9	16.8	E 2000
							44.4
		9	7				E 2000
							31.1

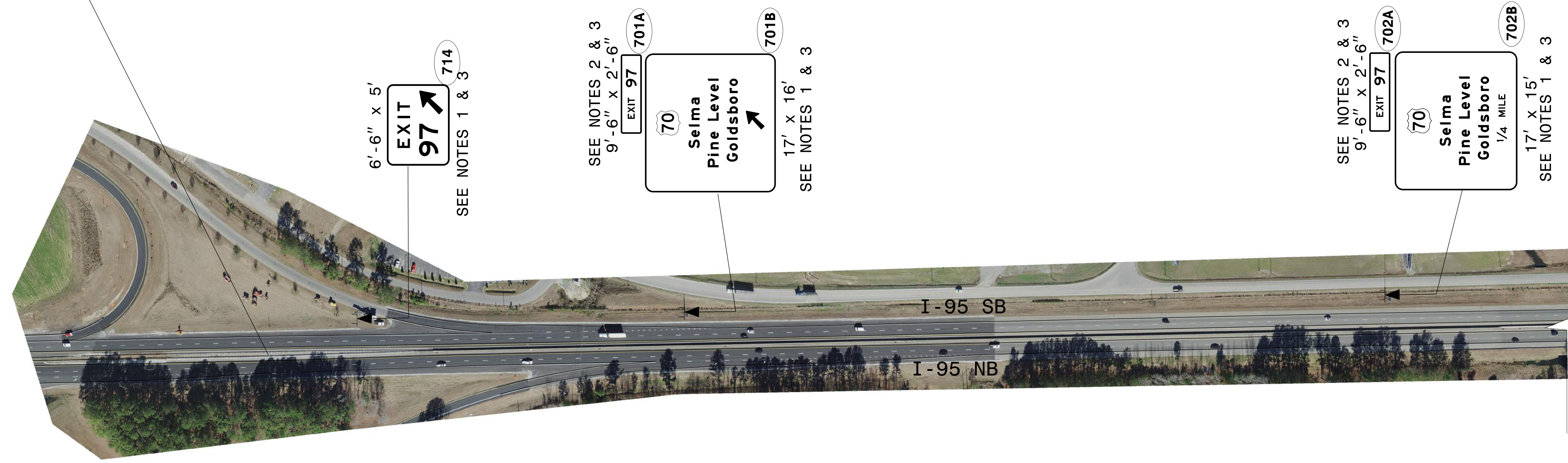
FILENAME: HI-00008 Sign Designs NORTH CAROLINA D.O.T. SIGN DETAIL

09/08/21
 S:\S&LU\Eastern\Div 4\HI-0008\HI-0008_Sign-3C.dgn
 Users\sjohns

SIGN DESIGNS



BEGIN SIGNING CONSTRUCTION LIMITS

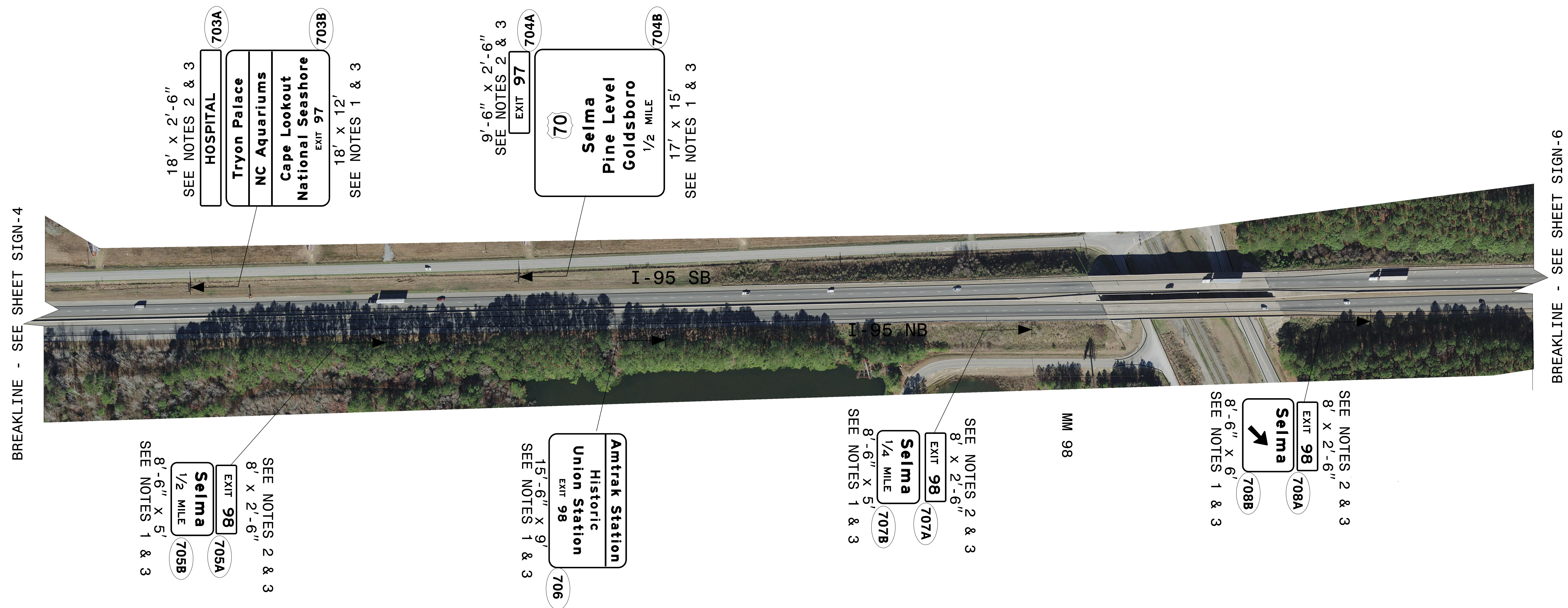
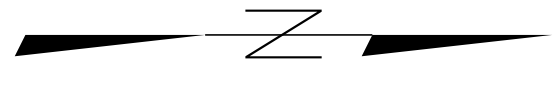


BREAKLINE - SEE SHEET SIGN-5

PROJECT NOTES

1. SIGN ERECTION, TYPE A (GROUND MOUNTED)
2. SIGN ERECTION, TYPE B (GROUND MOUNTED)
3. DISPOSAL OF SIGN, A OR B (GROUND MOUNTED)

I-95 JOHNSTON COUNTY
PROPOSED SIGNING
MILEMARKER 97 TO MILEMARKER 97.2



BREAKLINE - SEE SHEET SIGN-4

BREAKLINE - SEE SHEET SIGN-6

- PROJECT NOTES**
1. SIGN ERECTION, TYPE A (GROUND MOUNTED)
 2. SIGN ERECTION, TYPE B (GROUND MOUNTED)
 3. DISPOSAL OF SIGN, A OR B (GROUND MOUNTED)

I-95 JOHNSTON COUNTY
PROPOSED SIGNING
MILEMARKER 97.5 TO MILEMARKER 98.0