

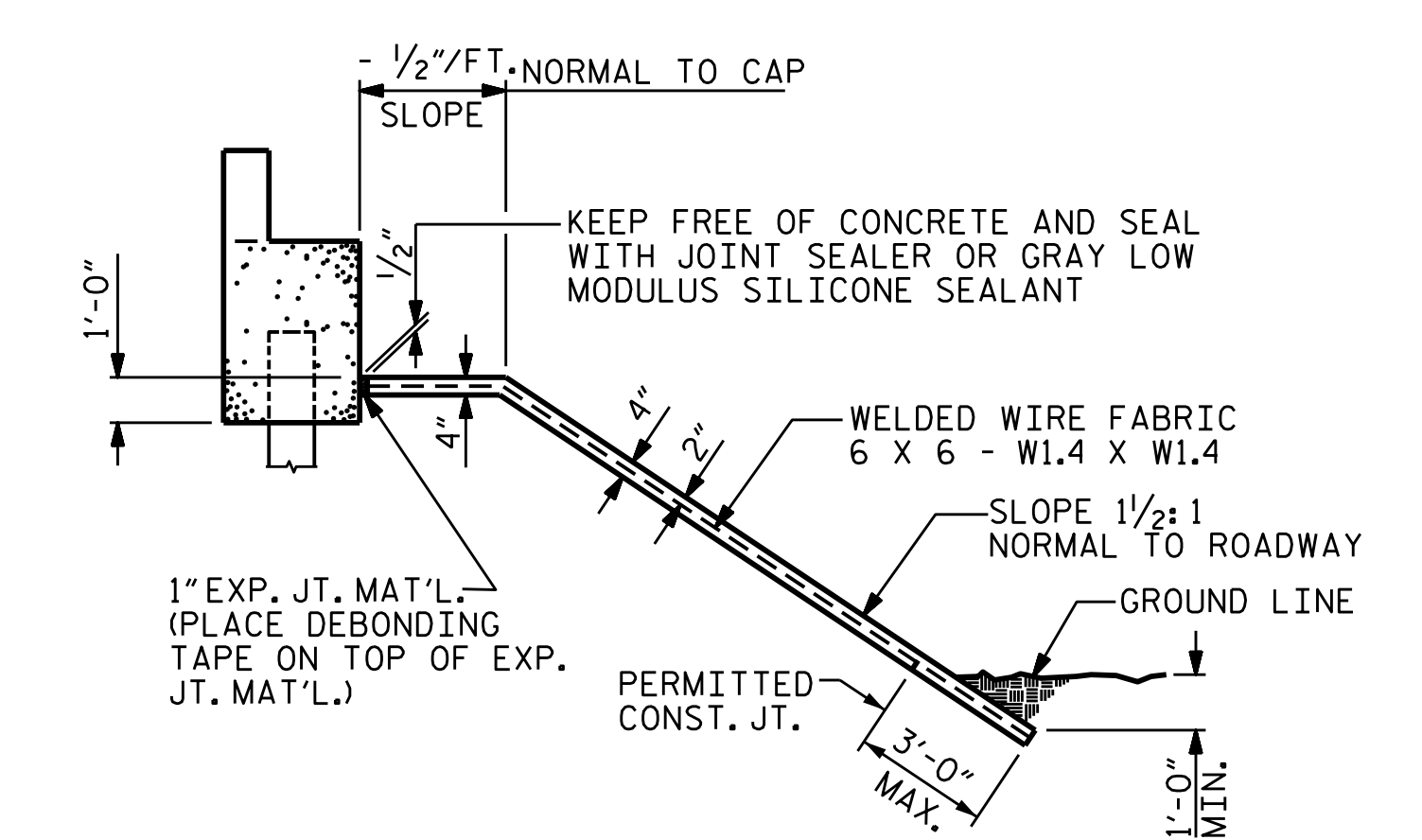
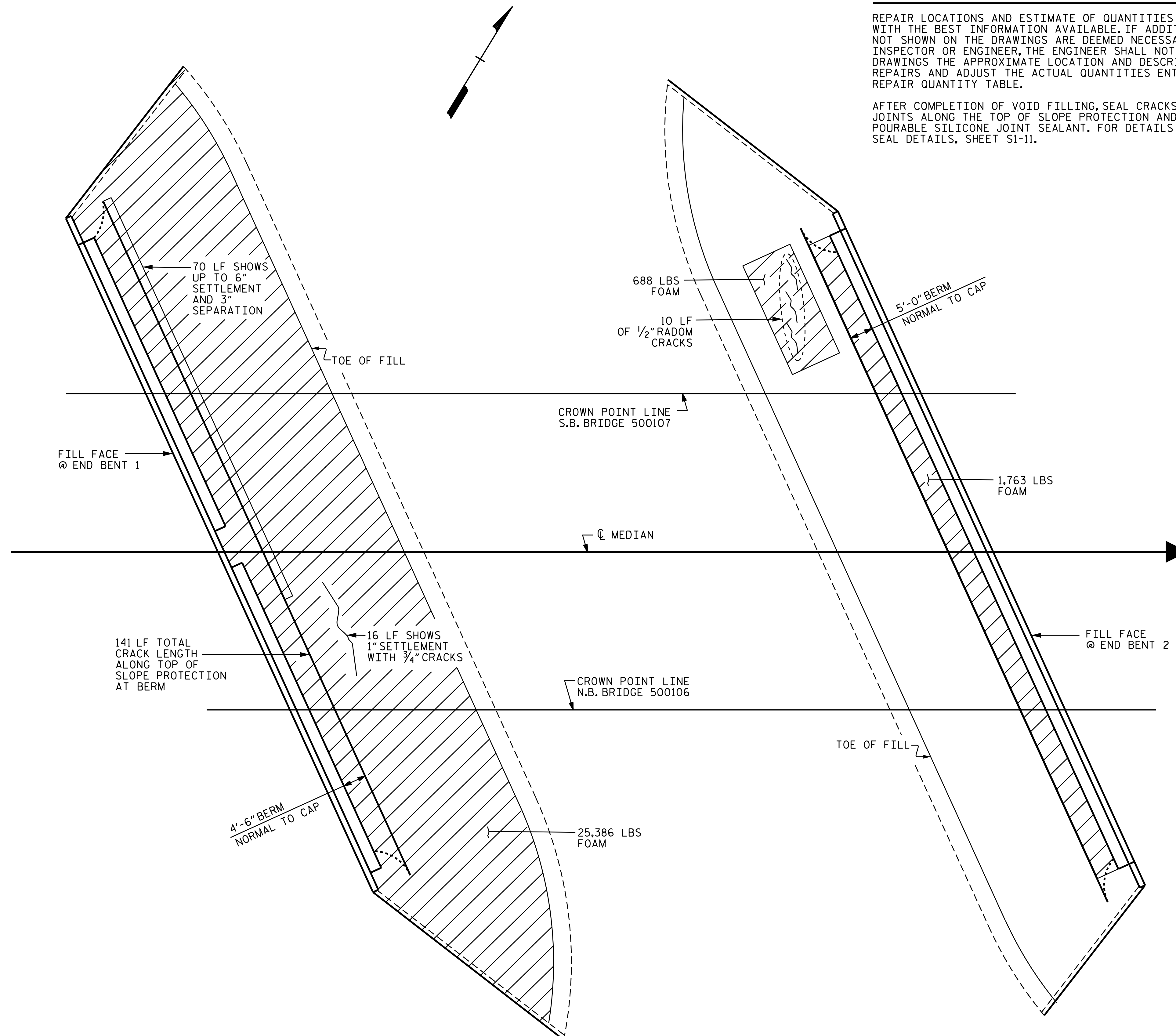
**NOTES:**

REPAIR LOCATIONS AND ESTIMATE OF QUANTITIES ARE GIVEN WITH THE BEST INFORMATION AVAILABLE. IF ADDITIONAL REPAIRS NOT SHOWN ON THE DRAWINGS ARE DEEMED NECESSARY BY THE INSPECTOR OR ENGINEER, THE ENGINEER SHALL NOTE ON THE DRAWINGS THE APPROXIMATE LOCATION AND DESCRIPTION OF THE REPAIRS AND ADJUST THE ACTUAL QUANTITIES ENTERED INTO THE REPAIR QUANTITY TABLE.

AFTER COMPLETION OF VOID FILLING, SEAL CRACKS IDENTIFIED AND JOINTS ALONG THE TOP OF SLOPE PROTECTION AND BERM WITH POURABLE SILICONE JOINT SEALANT. FOR DETAILS SEE PROPOSED JOINT SEAL DETAILS, SHEET S1-11.

**REPAIR QUANTITY TABLE**

SLOPE PROTECTION @ BRIDGES 500106 & 500107	SLOPE PROTECTION VOID FILLING		POURABLE SILICONE JOINT SEALANT	
	LBS		LN. FT.	
	ESTIMATE	ACTUAL	ESTIMATE	ACTUAL
END BENT 1	25,386		157	
END BENT 2	2,451		10	



SLOPE PROTECTION TYPICAL SECTION ALONG C MEDIAN

**REPAIR KEY**

- SLOPE PROTECTION VOID FILLING
- SLOPE PROTECTION CRACKS

PROJECT NO. HI-0008  
JOHNSTON COUNTY  
 STATION: 500106, 500107



STATE OF NORTH CAROLINA  
 DEPARTMENT OF TRANSPORTATION  
 RALEIGH  
**4" SLOPE PROTECTION REPAIR DETAILS**

ASSEMBLED BY : S. WANCE	DATE : 07/21
CHECKED BY : T. SHERRILL	DATE : 08/21
DRAWN BY : ELR 5/92	REV. 12/21/11 MAA/GM
CHECKED BY : GRP 6/92	REV. 1/16 MAA/TMG
	REV. 12/17 MAA/THC

NO.	REVISIONS			SHEET NO.
	BY:	DATE:	NO.	
1			3	S2-22
2			4	TOTAL SHEETS 48

DOCUMENT NOT CONSIDERED FINAL UNLESS ALL SIGNATURES COMPLETED