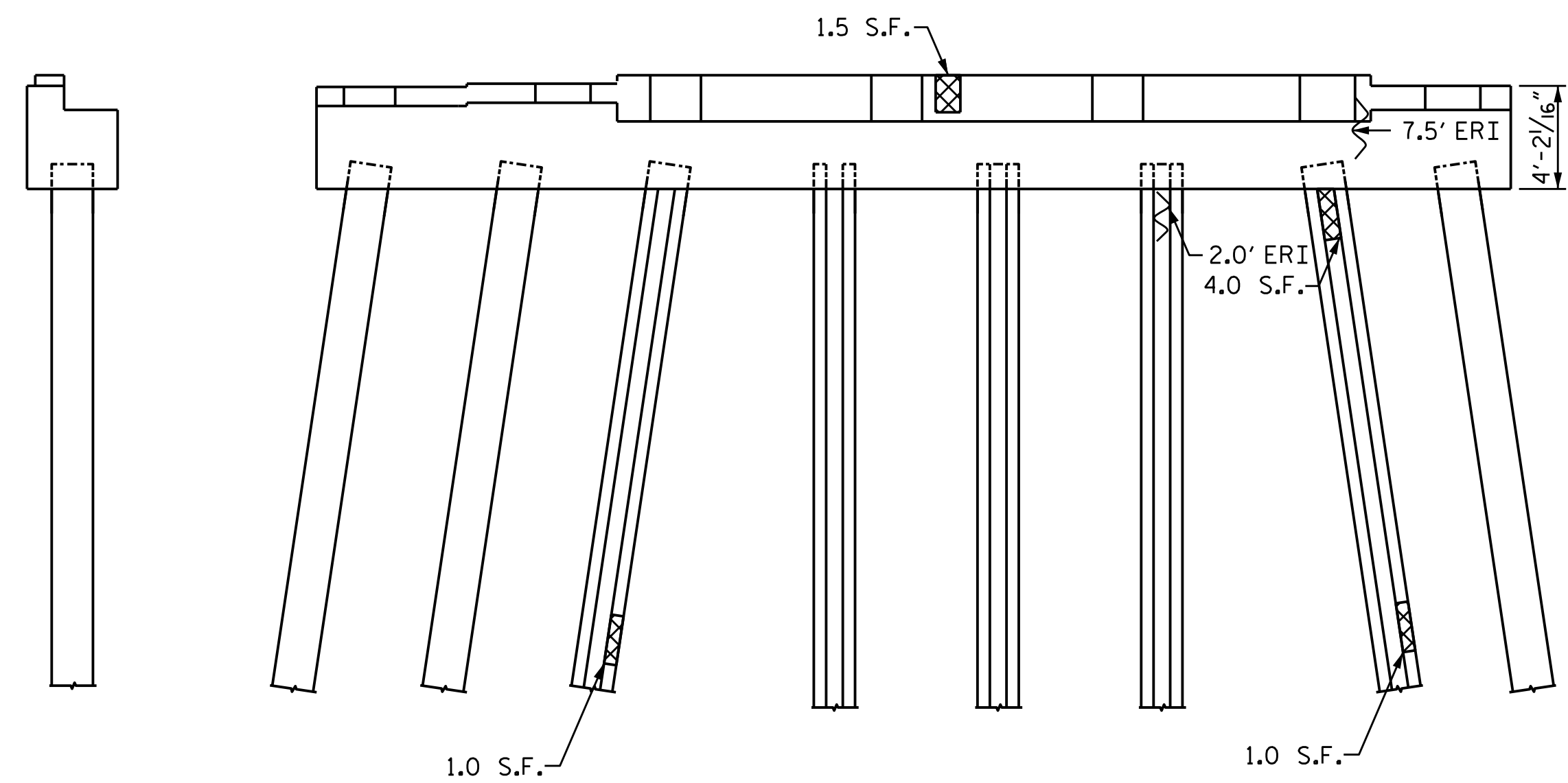


PLAN
(TOP OF CAP)

SPAN E
SPAN D

REPAIR QUANTITY TABLE				
BENT 4	QUANTITIES			
	ESTIMATE		ACTUAL	
SHOTCRETE REPAIR	AREA SF	VOLUME CF	AREA SF	VOLUME CF
CAP (VERTICAL FACE)	2.5	1.3		
CAP (HORIZONTAL FACE)	0.0	0.0		
COLUMN	6.0	3.0		
CONCRETE REPAIR				
CAP (VERTICAL FACE)	0.0	0.0		
CAP (HORIZONTAL FACE)	0.0	0.0		
COLUMN	0.0	0.0		
EPOXY RESIN INJECTION		LF	LF	LF
CAP		7.5		
COLUMN		2.0		

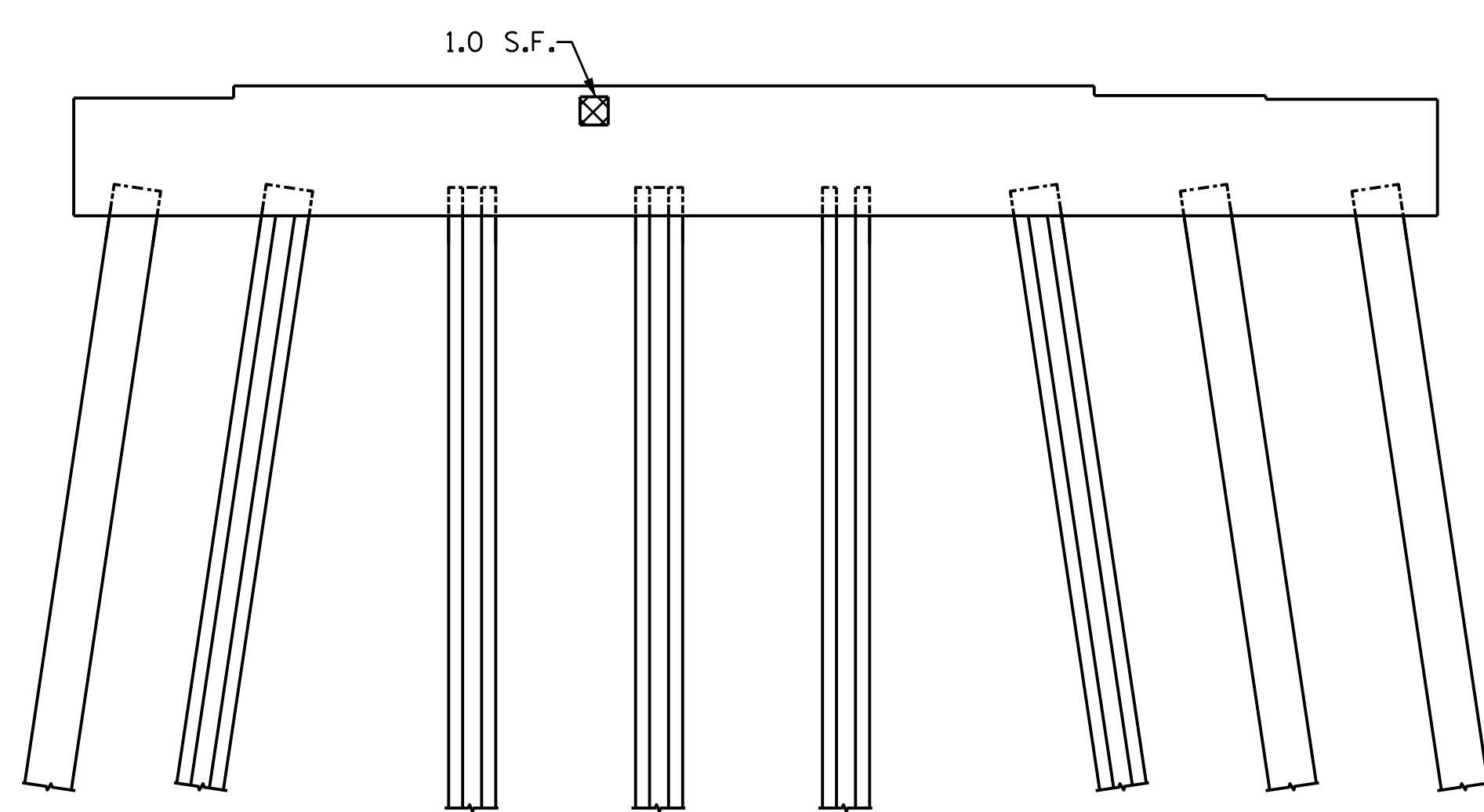
VALUES IN CHART REPRESENT ESTIMATED REPAIR QUANTITIES AFTER REMOVAL OF UNSOUND CONCRETE, MIN. OF 1" BEHIND REBAR AND MIN. 1" CL TO SAWCUT. SEE REPAIR DETAILS.



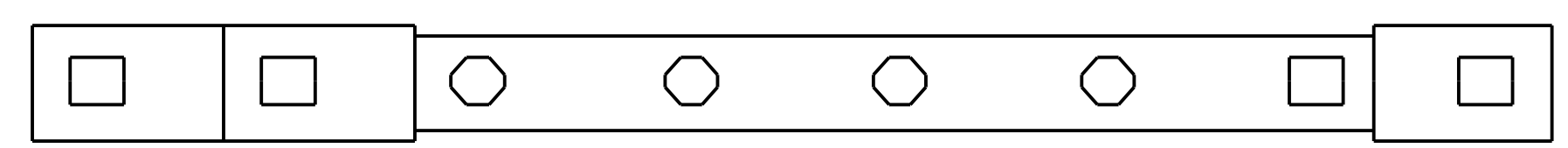
END VIEW
(WEST FACE)

ELEVATION
(SOUTH FACE)

END VIEW
(EAST FACE)



ELEVATION
(NORTH FACE)



PLAN
(BOTTOM OF CAP)

SPAN E
SPAN D

REPAIR KEY

- CONCRETE REPAIR AREA (FORM AND POUR)
- SHOTCRETE REPAIR AREA
- EPOXY RESIN INJECTION (ERI)

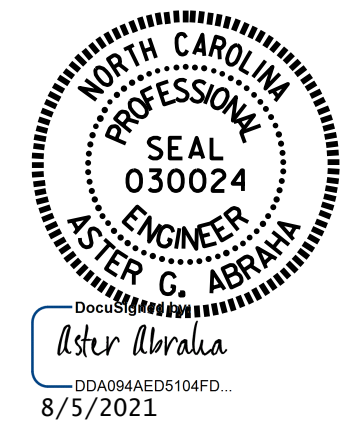
PROJECT NO. HI-0008
JOHNSTON COUNTY
 BRIDGE NO. 500107

SHEET 4 OF 5

STATE OF NORTH CAROLINA
 DEPARTMENT OF TRANSPORTATION
 RALEIGH

SUBSTRUCTURE

BENT 4



REVISIONS						SHEET NO.
NO.	BY:	DATE:	NO.	BY:	DATE:	S2-18
1			3			TOTAL SHEETS 48
2			4			

DOCUMENT NOT CONSIDERED
 FINAL UNLESS ALL
 SIGNATURES COMPLETED

DRAWN BY : A. Y. GODFREY / G. AYES DATE : .05/2021
 CHECKED BY : S. WANCE DATE : .07/2021