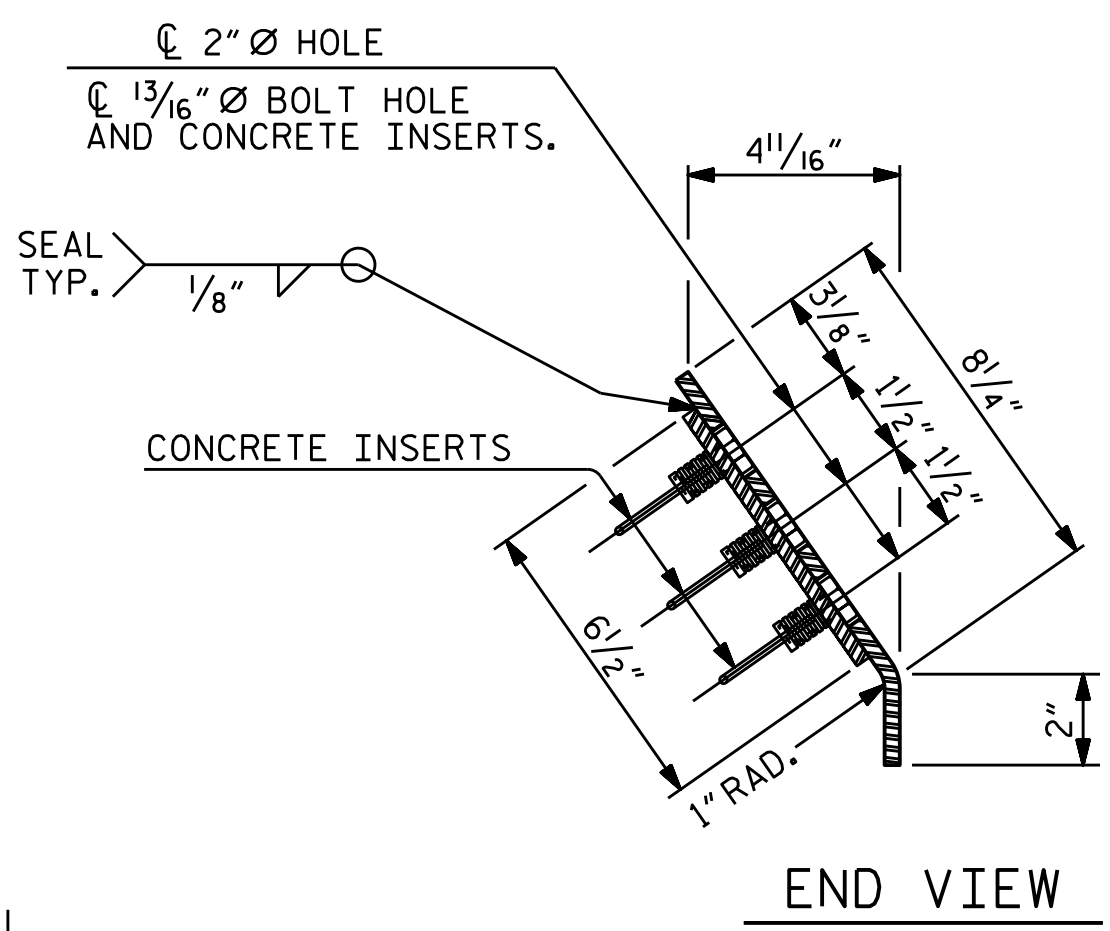
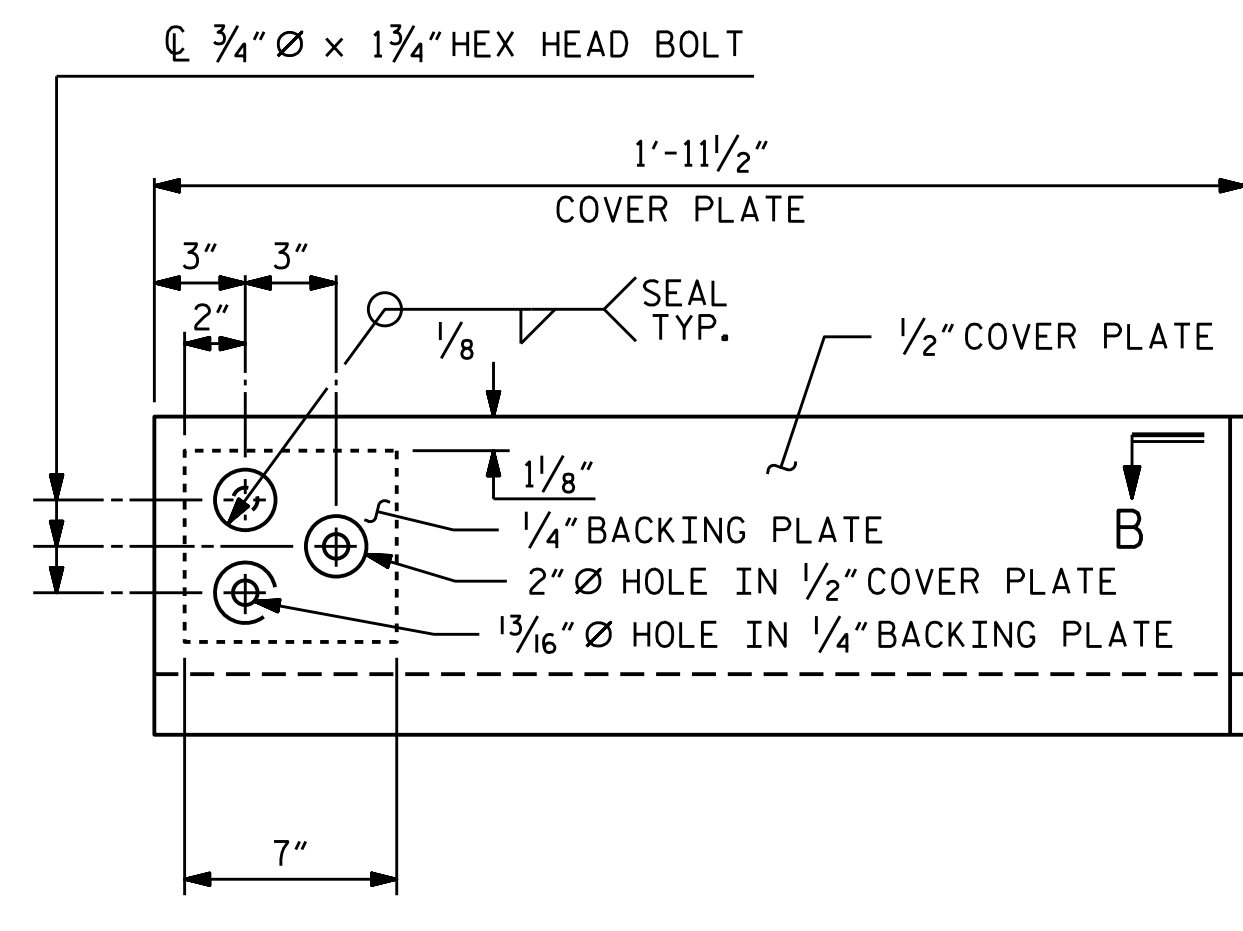


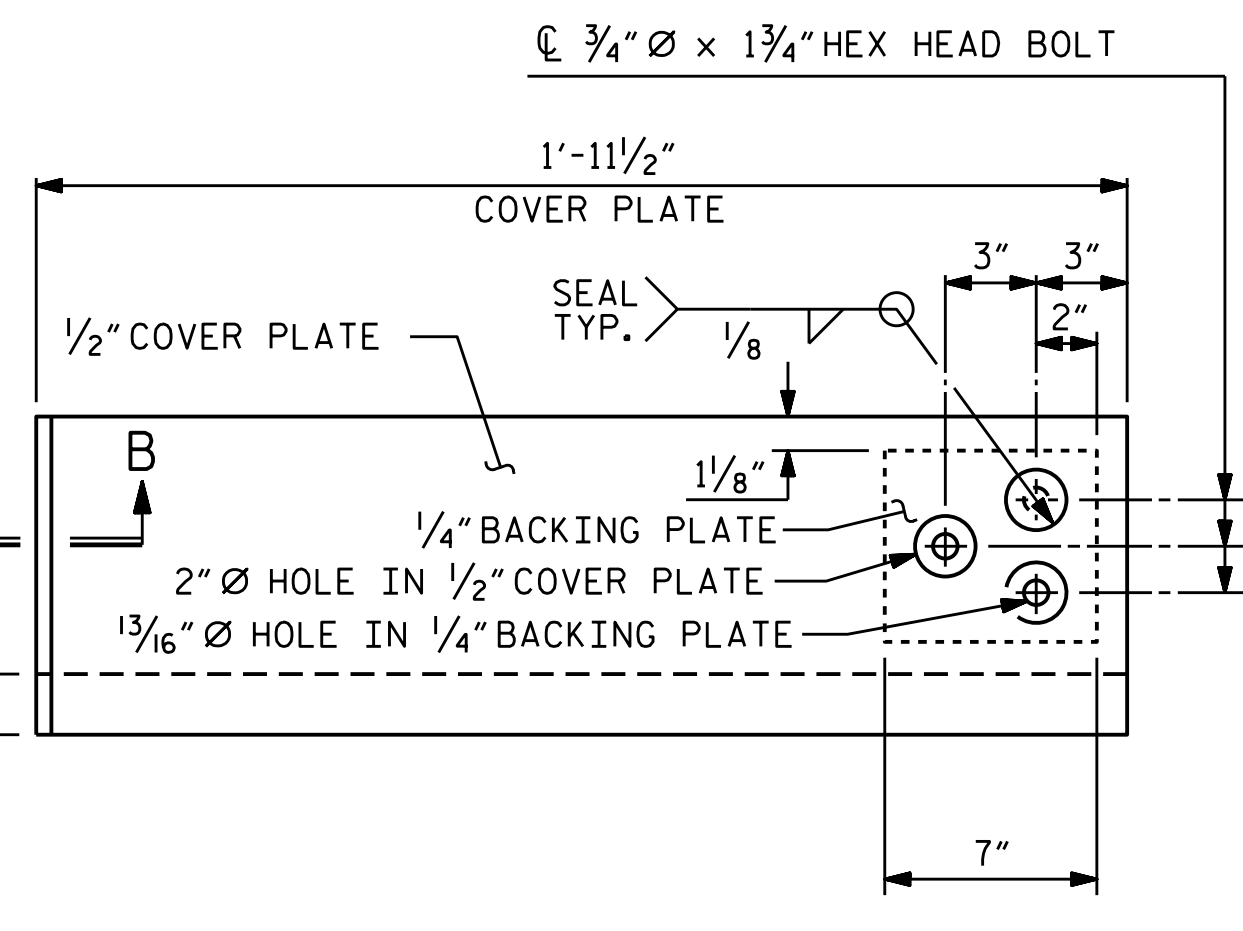
SECTION THRU RAIL NORMAL TO JOINT



END VIEW

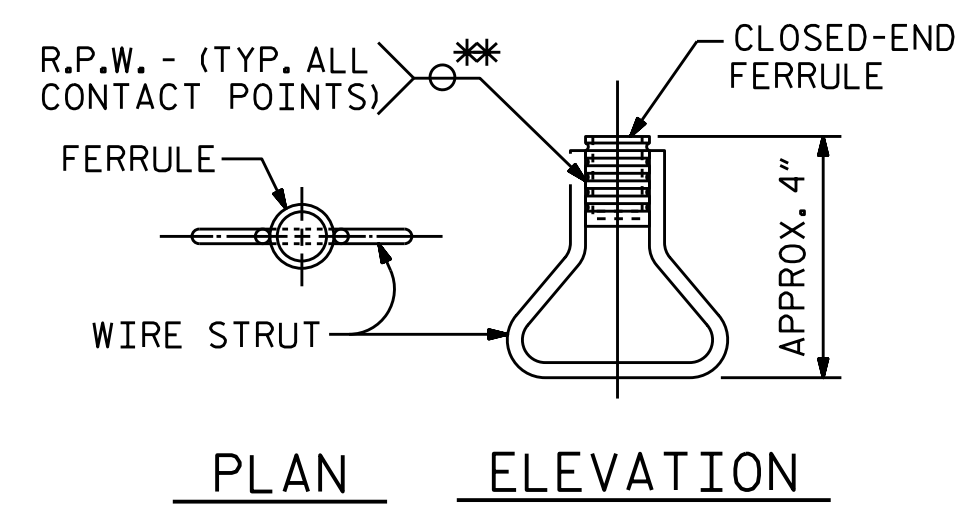


TYPE I - ELEVATION VIEW



TYPE II - ELEVATION VIEW

COVER PLATE DETAILS

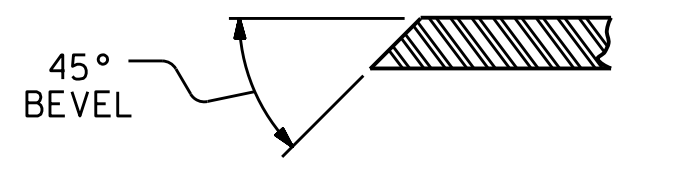


PLAN ELEVATION

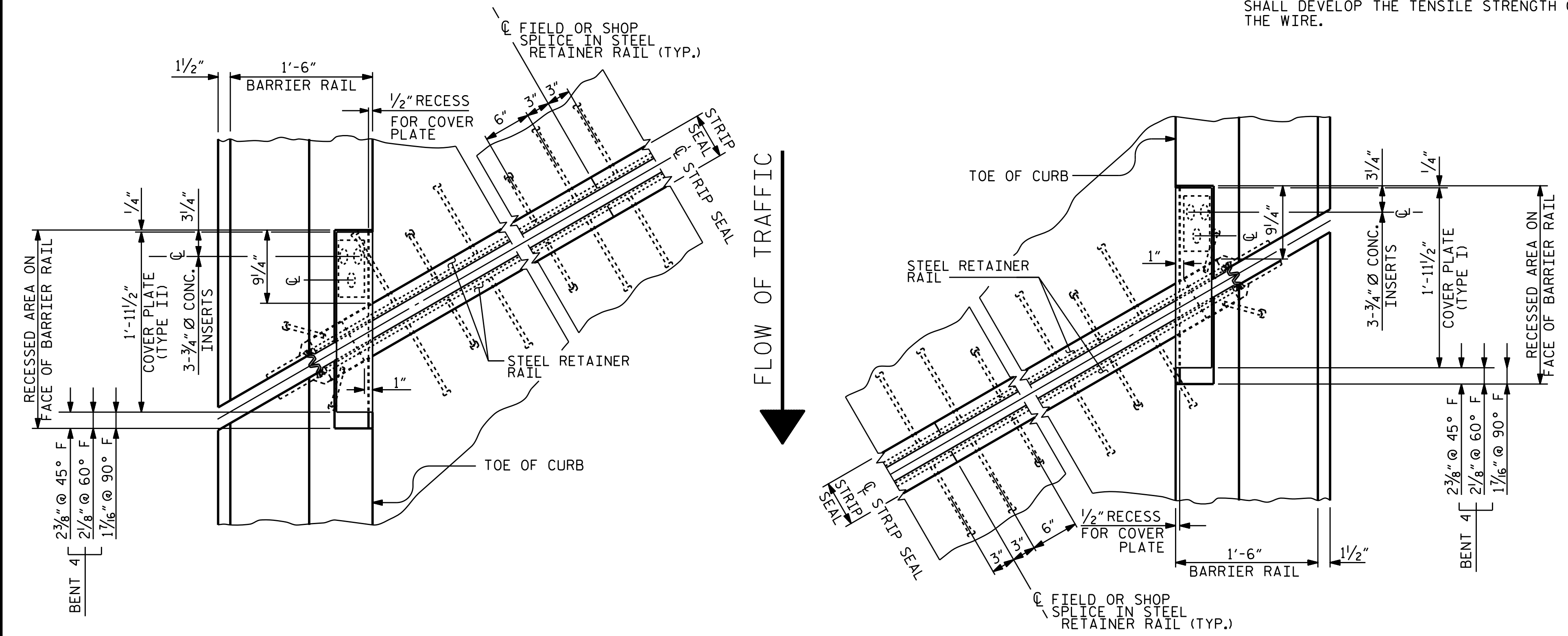
CONCRETE INSERT

* EACH WELDED ATTACHMENT OF WIRE TO FERRULE SHALL DEVELOP THE TENSILE STRENGTH OF THE WIRE.

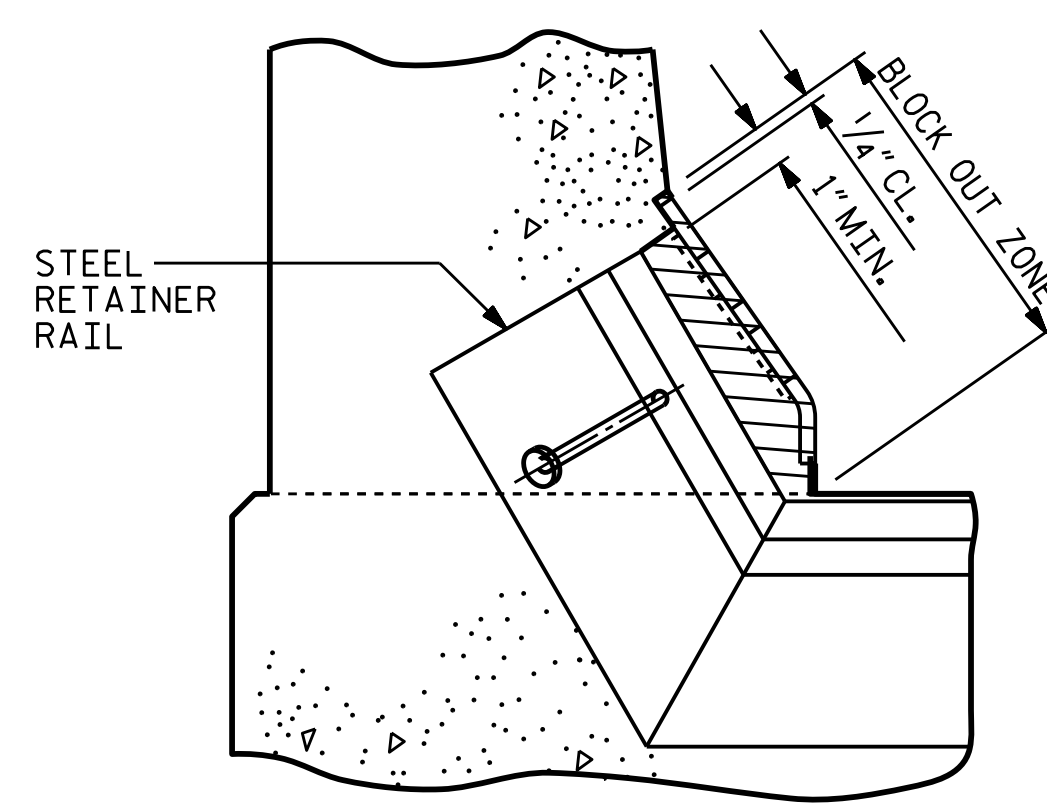
PAVEMENT MARKING ALIGNMENT



SECTION B - B



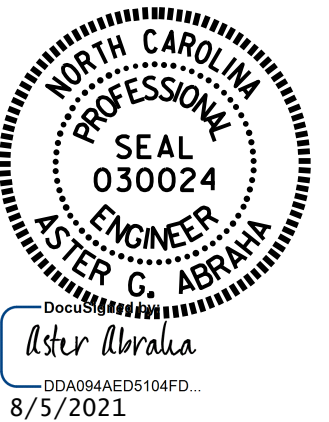
PLAN OF STRIP SEAL EXPANSION JOINT



BLOCK OUT DETAIL

PROJECT NO. HI-0008
 JOHNSTON COUNTY
 BRIDGE NO.: 500107

SHEET 2 OF 2



STATE OF NORTH CAROLINA
 DEPARTMENT OF TRANSPORTATION
 RALEIGH
 STRIP SEAL EXPANSION
 JOINT DETAILS
 FOR BARRIER RAIL
 BENT 4

ASSEMBLED BY :	SWANcPE	DATE :	07/2021
CHECKED BY :	-	DATE :	-
DRAWN BY :	MAA 6/20		
CHECKED BY :	BNB 6/20		

REVISIONS						SHEET NO.
NO.	BY:	DATE:	NO.	BY:	DATE:	S2-13
1			3			TOTAL SHEETS
2			4			48

DOCUMENT NOT CONSIDERED
 FINAL UNLESS ALL
 SIGNATURES COMPLETED