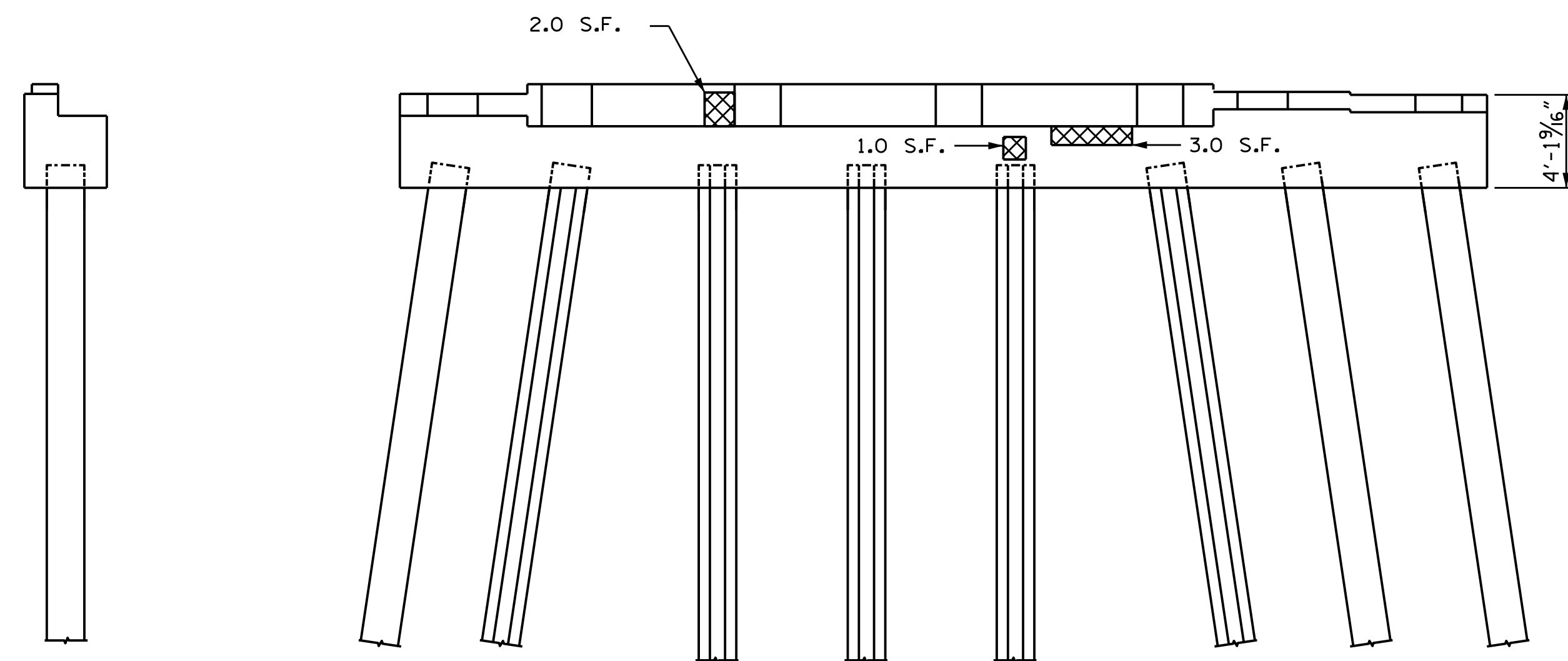
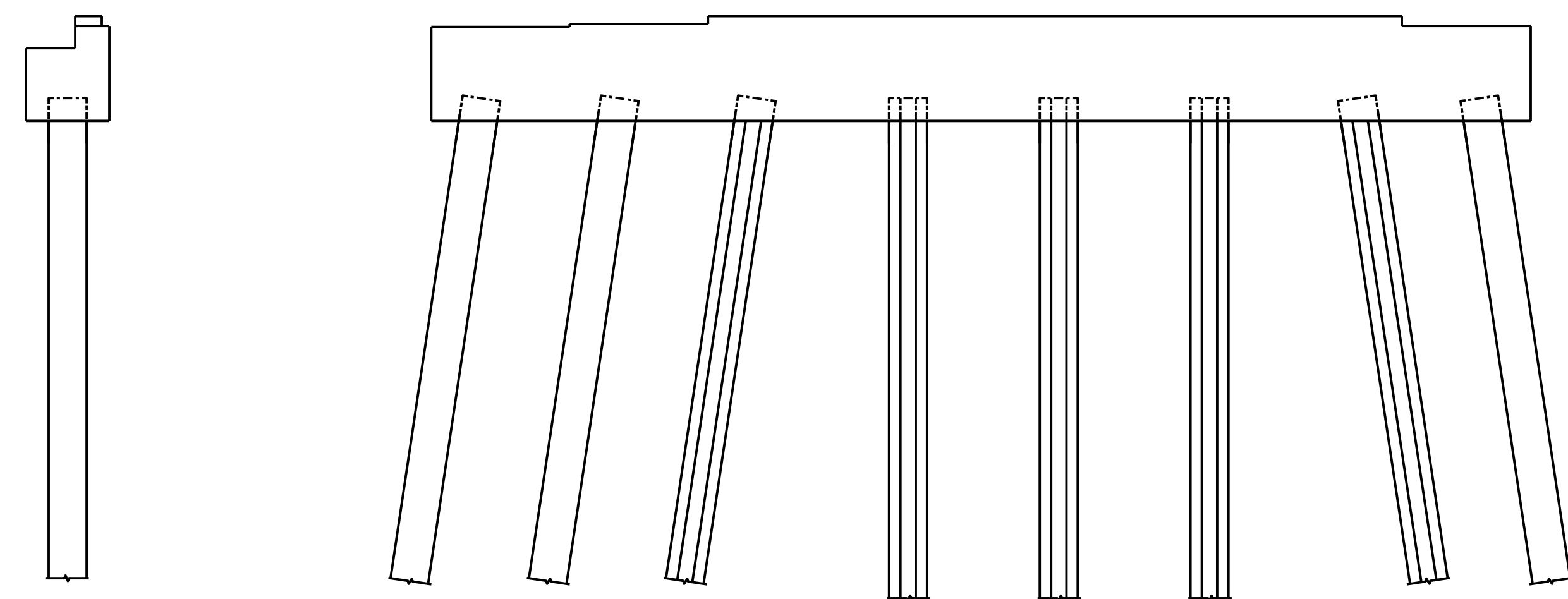


PLAN  
(TOP OF CAP)



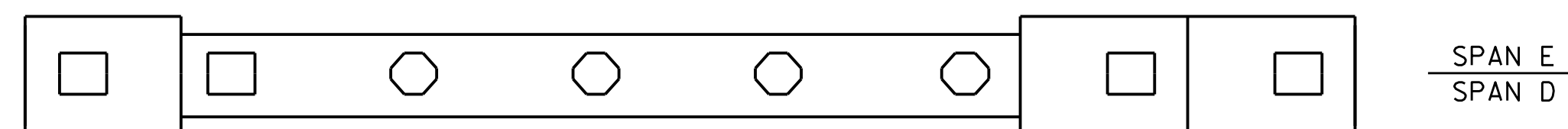
ELEVATION  
(SOUTH FACE)



ELEVATION  
(NORTH FACE)

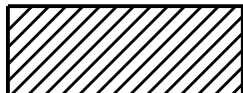
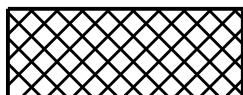

END VIEW  
(WEST FACE)

END VIEW  
(EAST FACE)



PLAN  
(BOTTOM OF CAP)

REPAIR KEY

-  CONCRETE REPAIR AREA (FORM AND POUR)
-  SHOTCRETE REPAIR AREA
-  EPOXY RESIN INJECTION (ERI)



REPAIR QUANTITY TABLE				
BENT 4	QUANTITIES			
	ESTIMATE		ACTUAL	
SHOTCRETE REPAIR	AREA SF	VOLUME CF	AREA SF	VOLUME CF
CAP (VERTICAL FACE)	6.0	3.0		
CAP (HORIZONTAL FACE)	0.0	0.0		
COLUMN	0.0	0.0		
CONCRETE REPAIR				
CAP (VERTICAL FACE)	0.0	0.0		
CAP (HORIZONTAL FACE)	1.0	0.5		
COLUMN	0.0	0.0		
EPOXY RESIN INJECTION		LF	LF	LF
CAP		0.0		
COLUMN		0.0		

VALUES IN CHART REPRESENT ESTIMATED REPAIR QUANTITIES AFTER REMOVAL OF UNSOUND CONCRETE, MIN. OF 1" BEHIND REBAR AND MIN. 1" CL TO SAWCUT. SEE REPAIR DETAILS.

PROJECT NO. HI-0008  
JOHNSTON COUNTY  
 BRIDGE NO. 500106

SHEET 4 OF 5

STATE OF NORTH CAROLINA  
 DEPARTMENT OF TRANSPORTATION  
 RALEIGH

SUBSTRUCTURE  
 BENT 4

DRAWN BY : A. Y. GODFREY / G. AYES DATE : 05/2021  
 CHECKED BY : S. WANCE DATE : 07/2021

DOCUMENT NOT CONSIDERED  
 FINAL UNLESS ALL  
 SIGNATURES COMPLETED

REVISIONS						SHEET NO.
NO.	BY:	DATE:	NO.	BY:	DATE:	S1-18
1			3			TOTAL SHEETS
2			4			48