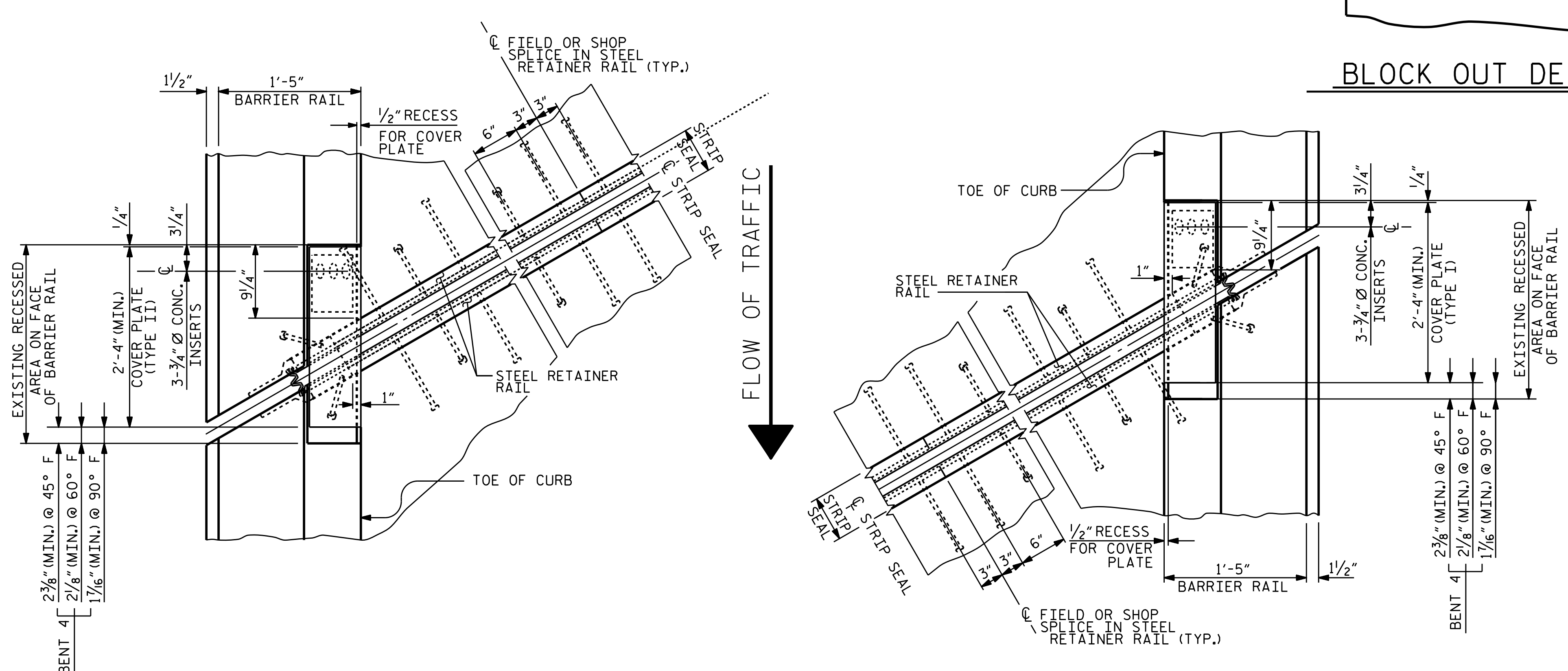
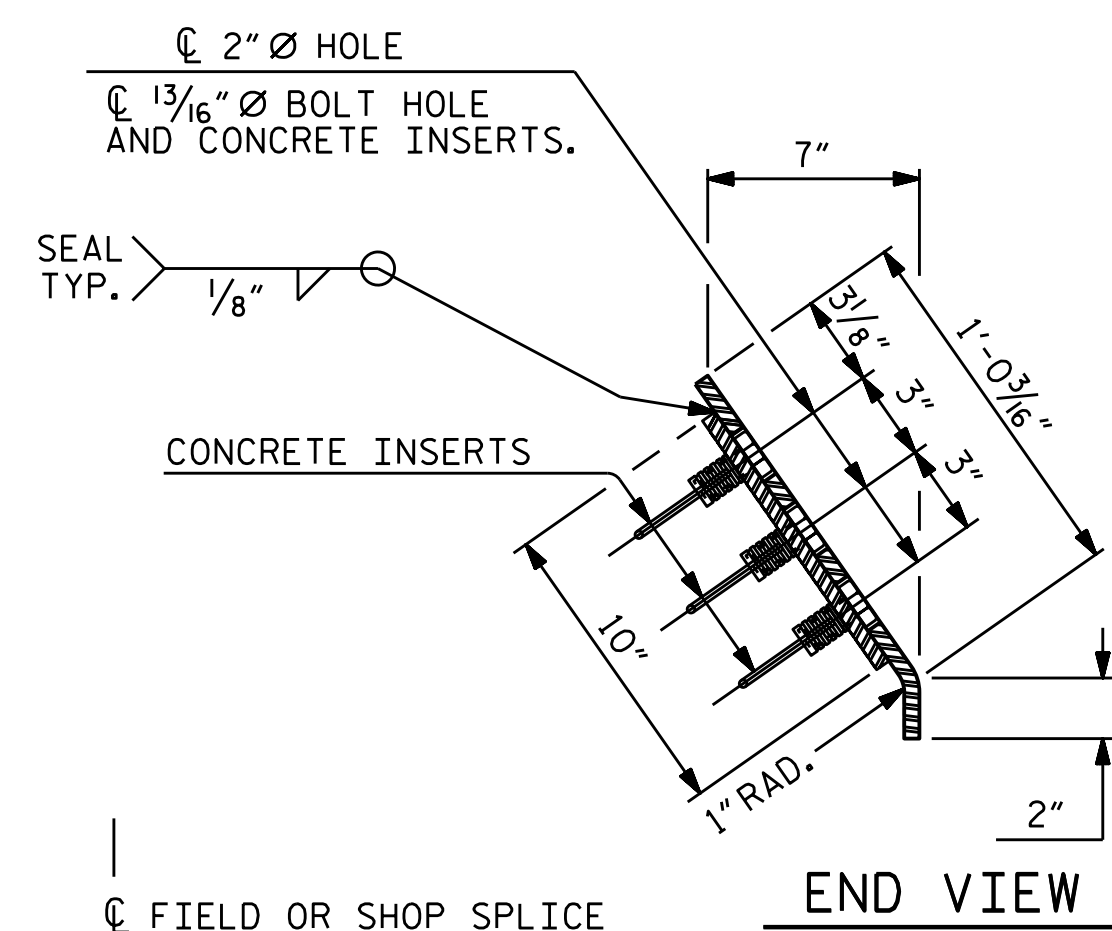


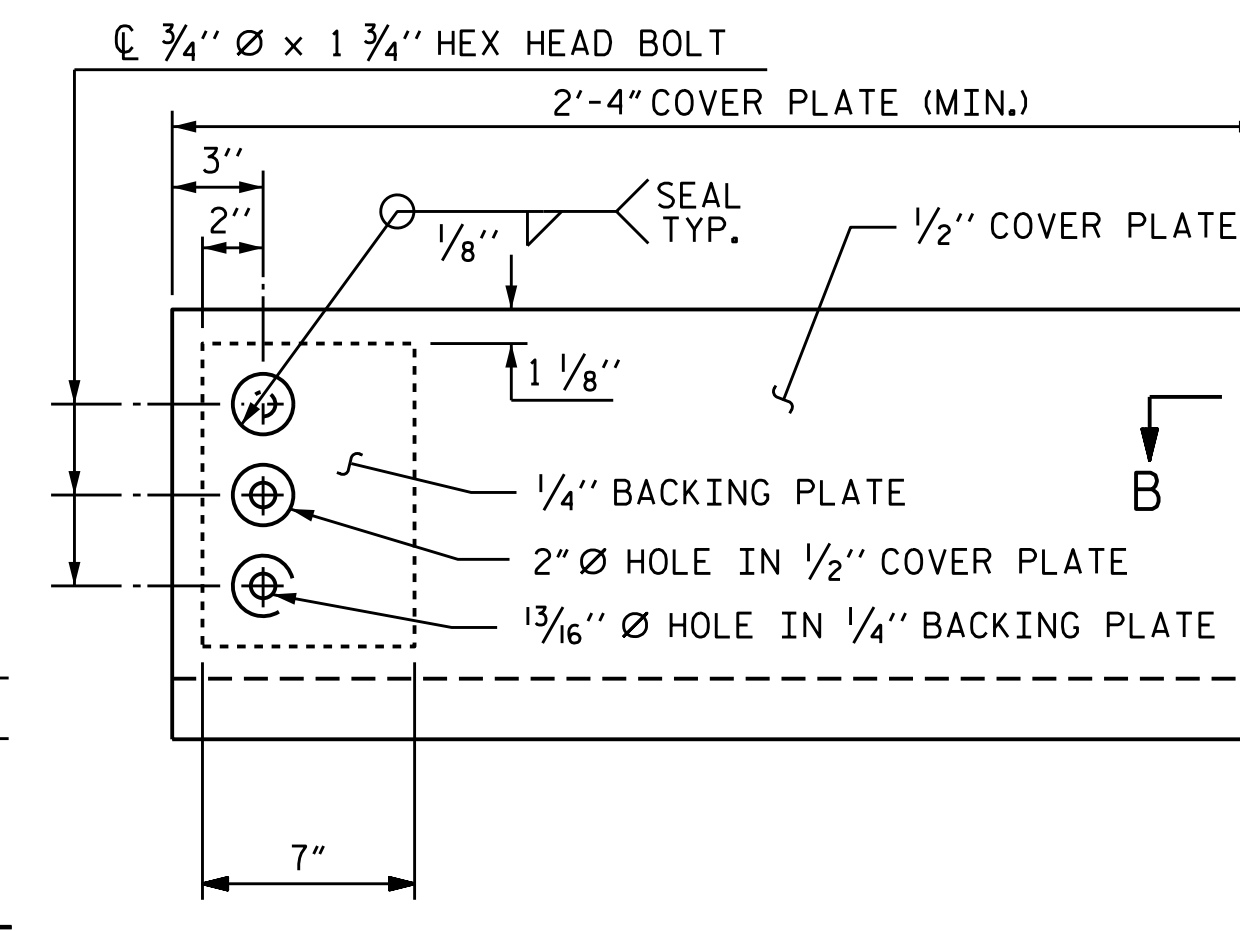
**SECTION THRU RAIL NORMAL TO JOINT**



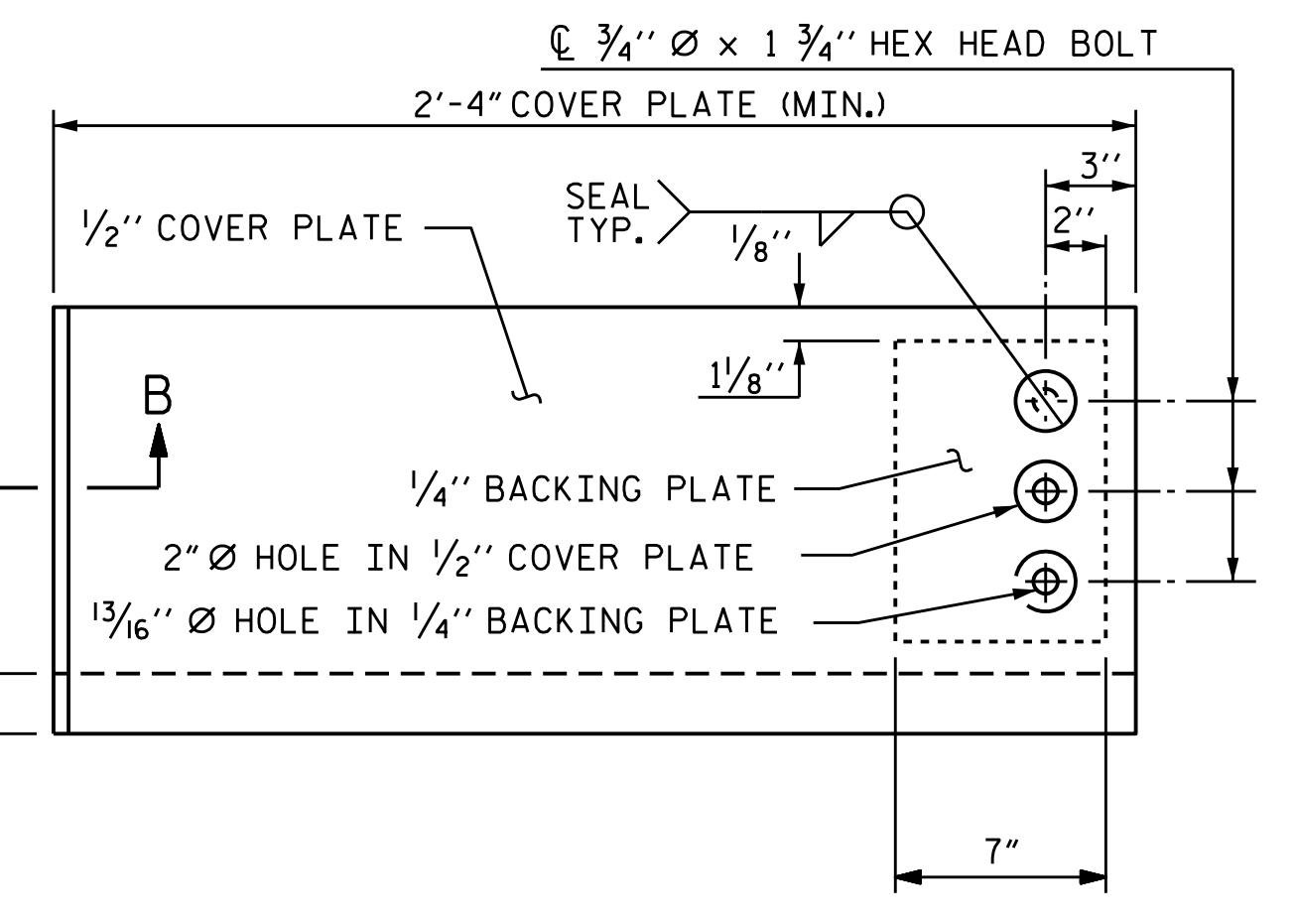
**PLAN OF STRIP SEAL EXPANSION JOINT**



**END VIEW**

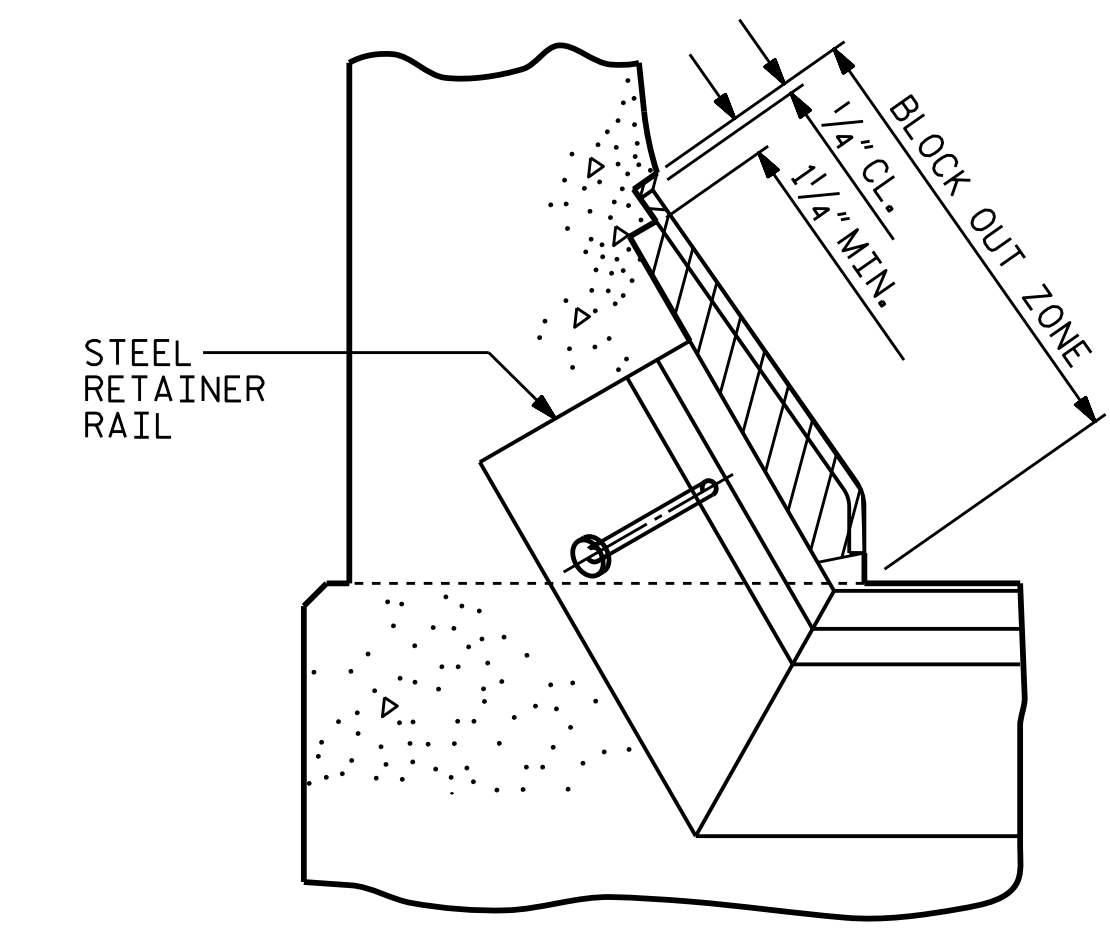


**TYPE I - ELEVATION VIEW**

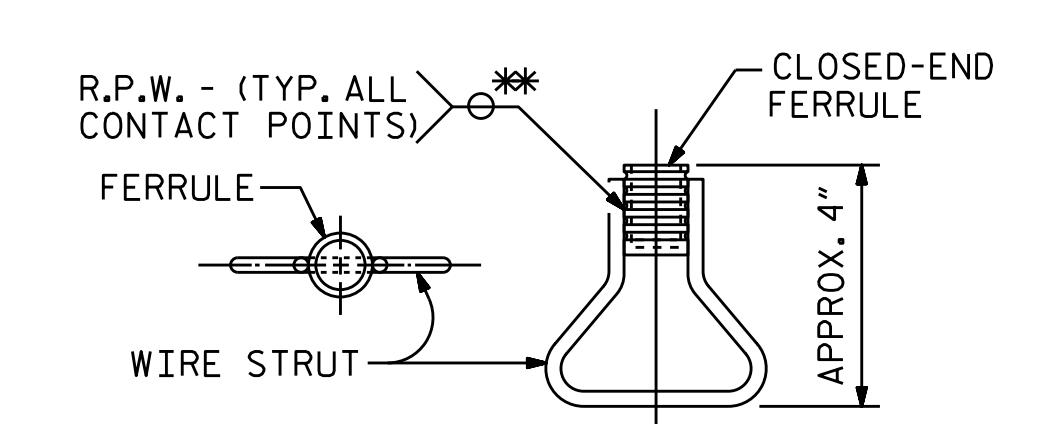


**TYPE II - ELEVATION VIEW**

**COVER PLATE DETAILS**

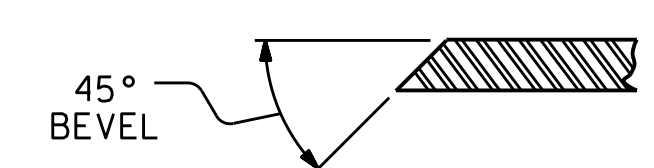


**BLOCK OUT DETAIL**



**CONCRETE INSERT**

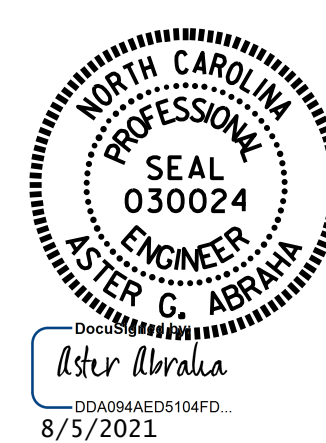
\* EACH WELDED ATTACHMENT OF WIRE TO FERRULE SHALL DEVELOP THE TENSILE STRENGTH OF THE WIRE.



**SECTION B - B**

PROJECT NO. HI-0008  
JOHNSTON COUNTY  
 BRIDGE NO.: 500106

SHEET 2 OF 2



STATE OF NORTH CAROLINA  
 DEPARTMENT OF TRANSPORTATION  
 RALEIGH  
**STRIP SEAL EXPANSION  
 JOINT DETAILS  
 FOR BARRIER RAIL  
 BENT 4**

ASSEMBLED BY :	S. WANcPE	DATE :	07/2021
CHECKED BY :	A. ABRAHA	DATE :	07/2021
DRAWN BY :	MAA 6/20		
CHECKED BY :	BNB 6/20		

REVISIONS						SHEET NO.
NO.	BY:	DATE:	NO.	BY:	DATE:	S1-13
1			3			TOTAL SHEETS
2			4			48

DOCUMENT NOT CONSIDERED FINAL UNLESS ALL SIGNATURES COMPLETED