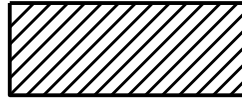
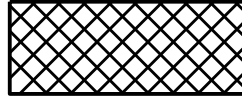



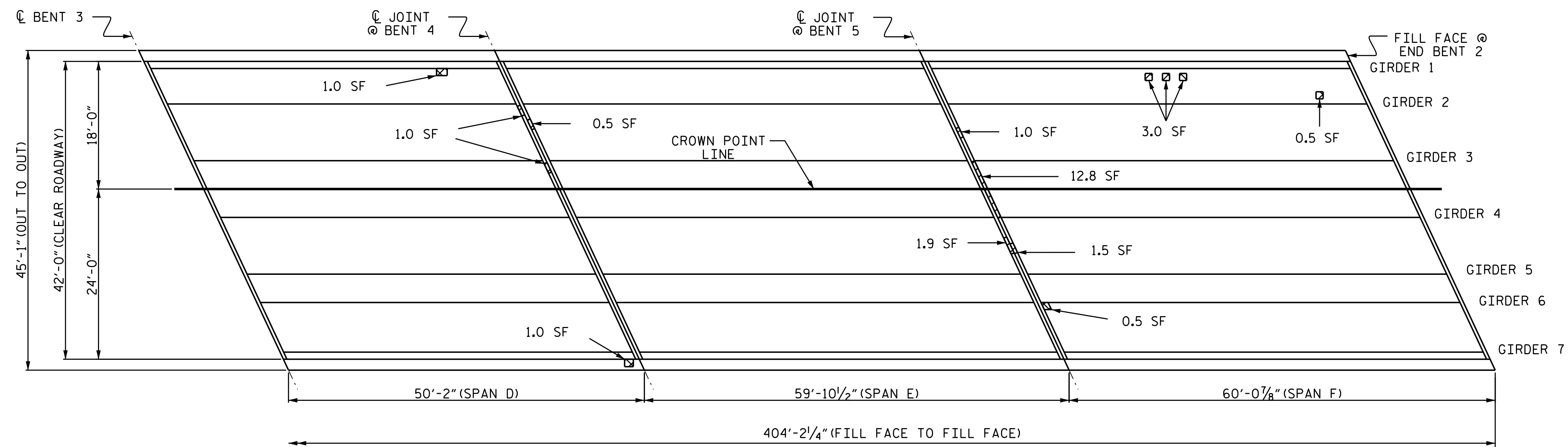
REPAIR QUANTITIES TABLE

UNDERSIDE OF DECK	QUANTITIES			
	ESTIMATE		ACTUAL	
SHOTCRETE REPAIR	AREA SF	VOLUME CF	AREA SF	VOLUME CF
UNDERSIDE OF DECK	6.0	2.1		
BENT DIAPHRAGMS	18.7	6.3		
EPOXY RESIN INJECTION		LF	LF	LF
UNDERSIDE OF DECK		0.0		
BENT DIAPHRAGMS		0.0		

VALUES IN CHART REPRESENT ESTIMATED REPAIR QUANTITIES AFTER REMOVAL OF UNSOUND CONCRETE, MIN. OF 1" BEHIND REBAR AND MIN. 1" CL TO SAWCUT. SEE REPAIR DETAILS.

REPAIR KEY

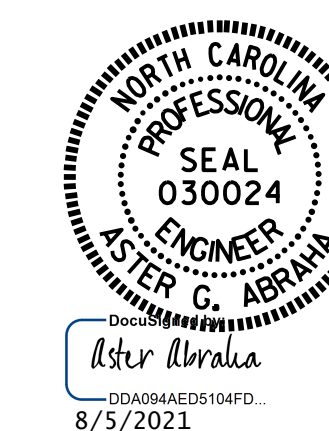
-  DIAPHRAGM REPAIR
-  UNDERSIDE OF DECK REPAIR
-  EPOXY RESIN INJECTION (ERI)



UNDERSIDE (SPANS D-F)

PROJECT NO. HI-0008
JOHNSTON COUNTY
 BRIDGE NO. 500106

SHEET 2 OF 3



STATE OF NORTH CAROLINA
 DEPARTMENT OF TRANSPORTATION
 RALEIGH

DECK UNDERSIDE & BENT DIAPHRAGM REPAIR

DRAWN BY : G. AYES DATE : 07/2021
 CHECKED BY : S. WANCE DATE : 07/2021

DOCUMENT NOT CONSIDERED
 FINAL UNLESS ALL
 SIGNATURES COMPLETED

REVISIONS						SHEET NO.
NO.	BY:	DATE:	NO.	BY:	DATE:	S1-10
1			3			TOTAL SHEETS
2			4			48