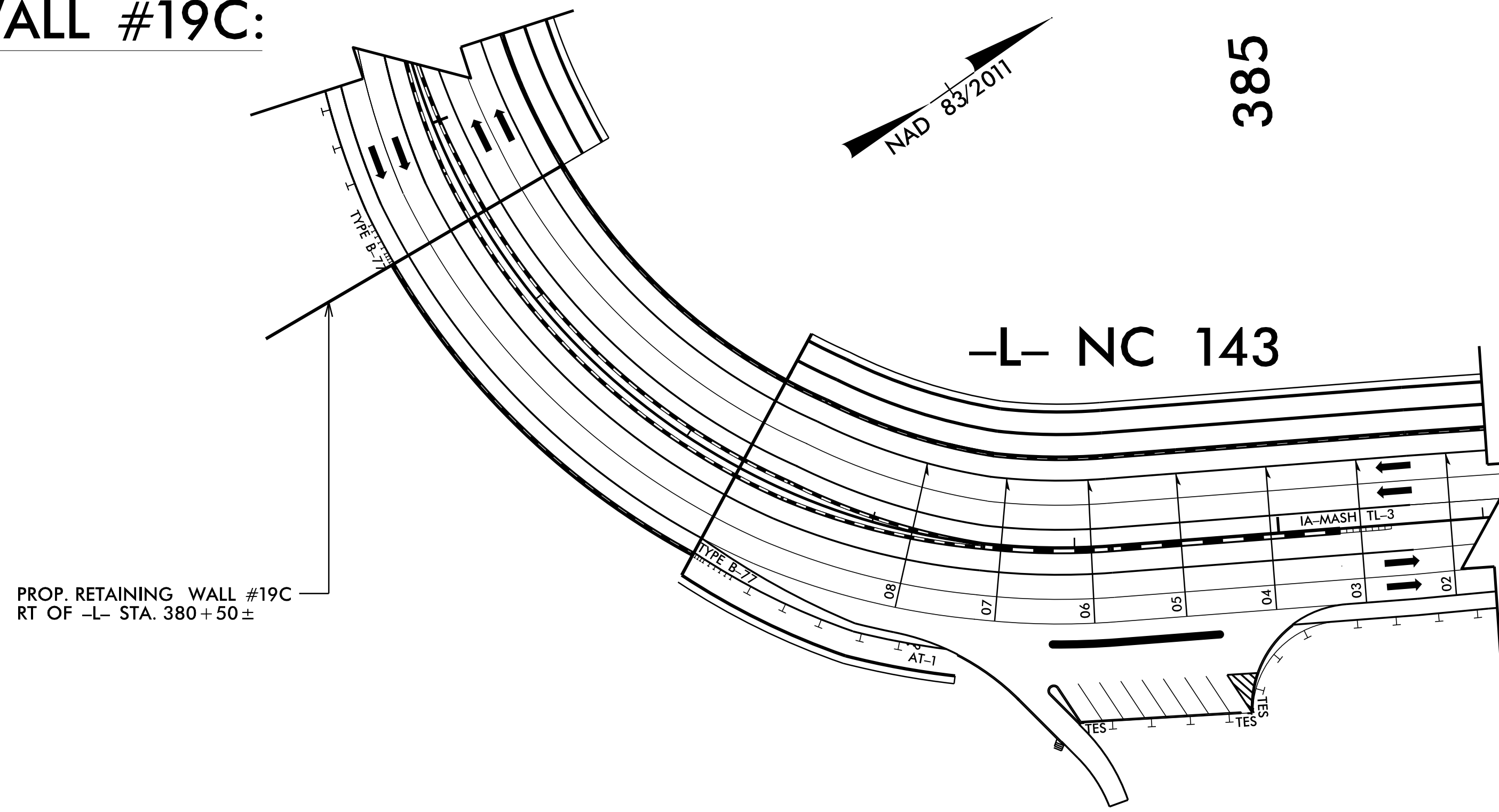


RETAINING WALL #19C:

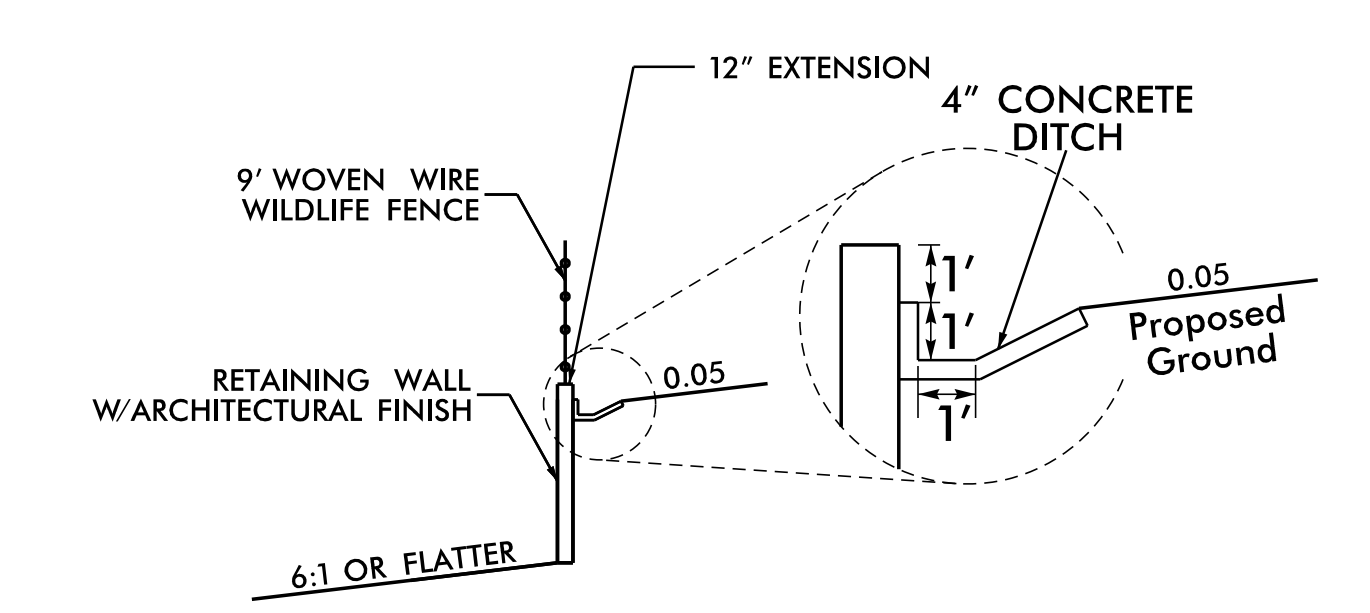


PROP. RETAINING WALL #19C
RT OF -L- STA. 380+50±

RETAINING WALL #19C - PLAN

NOT TO SCALE

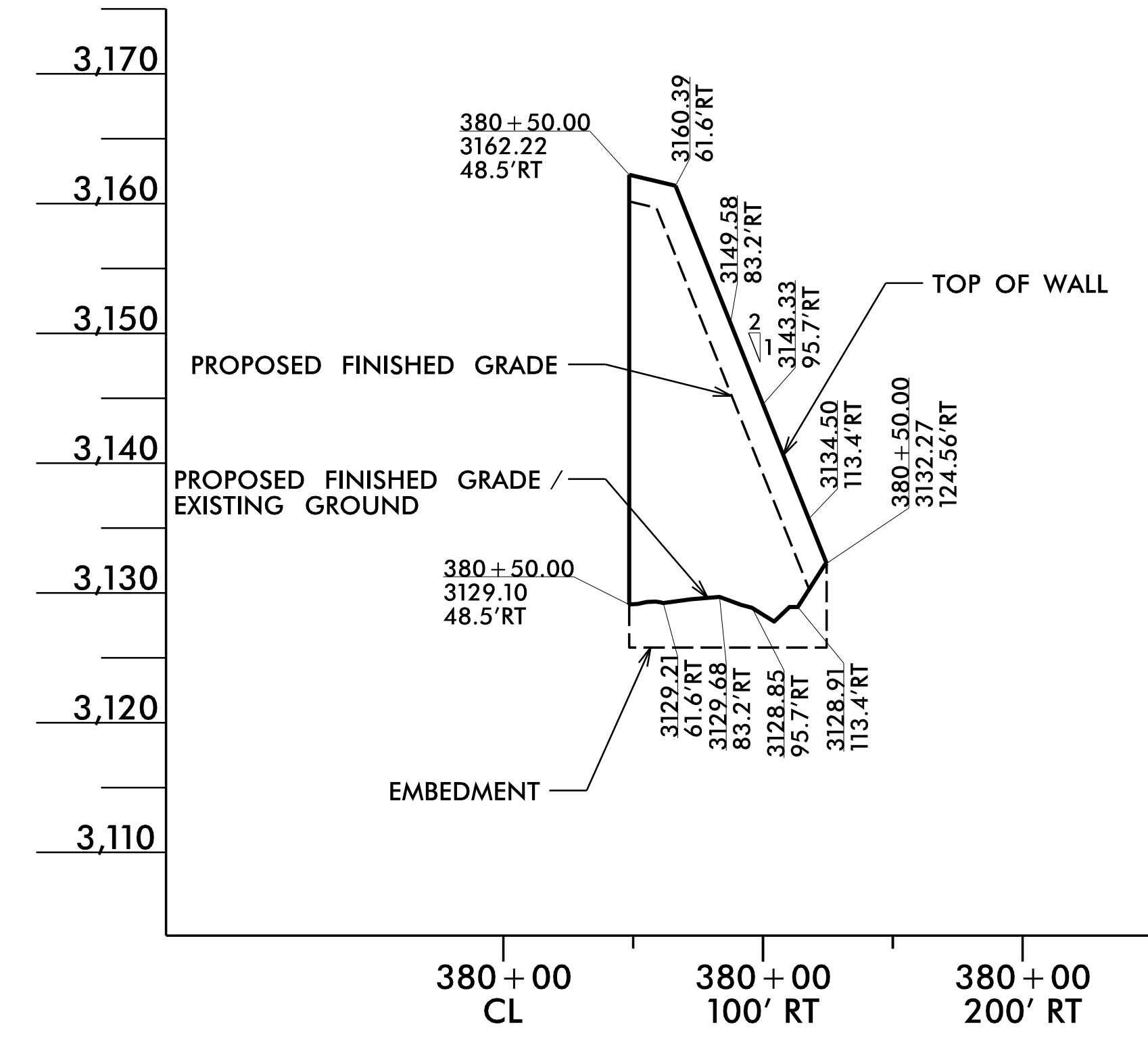
GEOTECHNICAL ENGINEER ROBERT E. KRAL	ENGINEER _____ SIGNATURE
DocuSigned by: SIGNATURE	7/14/2022 DATE
DOCUMENT NOT CONSIDERED FINAL UNLESS ALL SIGNATURES COMPLETED	



DETAIL FOR WALL #19C
NOT TO SCALE
-L- 380+50, 48.5' RT TO 380+50, 120.3' RT

ESTIMATED MSE RETAINING WALL QUANTITIES	
MSE RETAINING WALLS	1,870 * SF
SIMULATED STONE FORM LINER SYSTEM AND SURFACE FINISH	1,600 SF

* INCLUDES RETAINING WALL EMBEDMENT



RETAINING WALL #19C - ENVELOPE

NOT TO SCALE
(LOOKING AT FACE OF WALL)

RETAINING WALL #19C					
STA. -L-	OFFSET FROM -L- (RT) FT.	ELEV. @ TOP OF WALL FT.	* PROPOSED FINISHED GRADE FT.	* EXPOSED WALL HEIGHT FT.	** DESIGN WALL HEIGHT "H" FT.
380+00.00	48.50	3162.22	3129.10	33.12	34.44
380+00.00	61.60	3160.39	3129.21	31.18	32.61
380+00.00	83.20	3149.58	3129.68	19.90	21.80
380+00.00	95.70	3143.33	3128.85	14.48	15.55
380+00.00	113.40	3134.50	3128.91	5.59	6.72
380+00.00	124.56	3132.27	3132.27	0.00	2.99

* ELEVATION @ PROPOSED FINISHED GRADE AND EXPOSED WALL HEIGHT DO NOT INCLUDE EMBEDMENT DEPTH
** FOR DESIGN WALL HEIGHT "H" AND ADDITIONAL CONSTRUCTION DETAILS SEE MECHANICALLY STABILIZED EARTH RETAINING WALL DETAILS ON SHEET 2 OF 2

PROJECT NO.: A-0009CB
GRAHAM COUNTY
RETAINING WALL #19C: -L- 380+50, 48.5' RT TO 380+50, 124.6' RT
SHEET 1 OF 2

PREPARED BY: R. KRAL DATE: 7/14/2022
REVIEWED BY: M. BREWER DATE: 7/14/2022

RETAINING WALL #19C ENVELOPE AND WALL LAYOUT PROVIDED BY TGS ENGINEERS, INC.

Prepared in the Office of:

CAROLINAS GEOTECHNICAL GROUP
2400 CROWPOINT EXECUTIVE DRIVE
SUITE 800
CHARLOTTE, NC 28227
(980) 339-8684

NORTH CAROLINA DEPARTMENT OF TRANSPORTATION DIVISION OF HIGHWAYS

GEOTECHNICAL ENGINEERING UNIT

RETAINING WALL #19C MECHANICALLY STABILIZED EARTH RETAINING WALL WITH CAST-IN-PLACE CONCRETE FACE					
REVISIONS					
NO.	BY	DATE	NO.	BY	DATE
1			3		
2			4		

SHEET NO. W19C-1