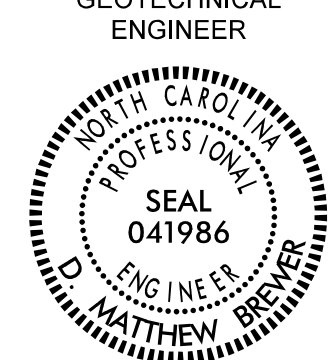
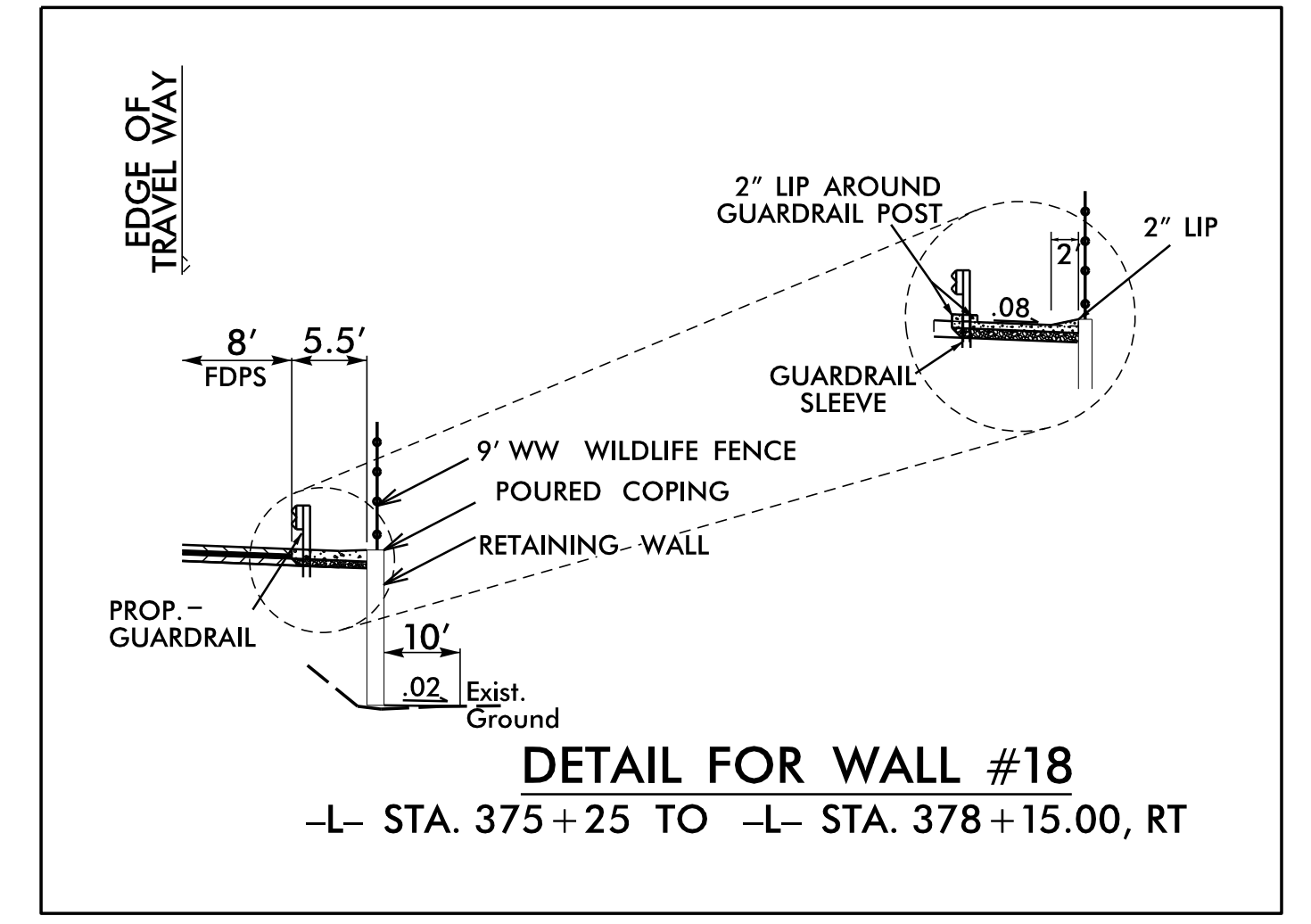
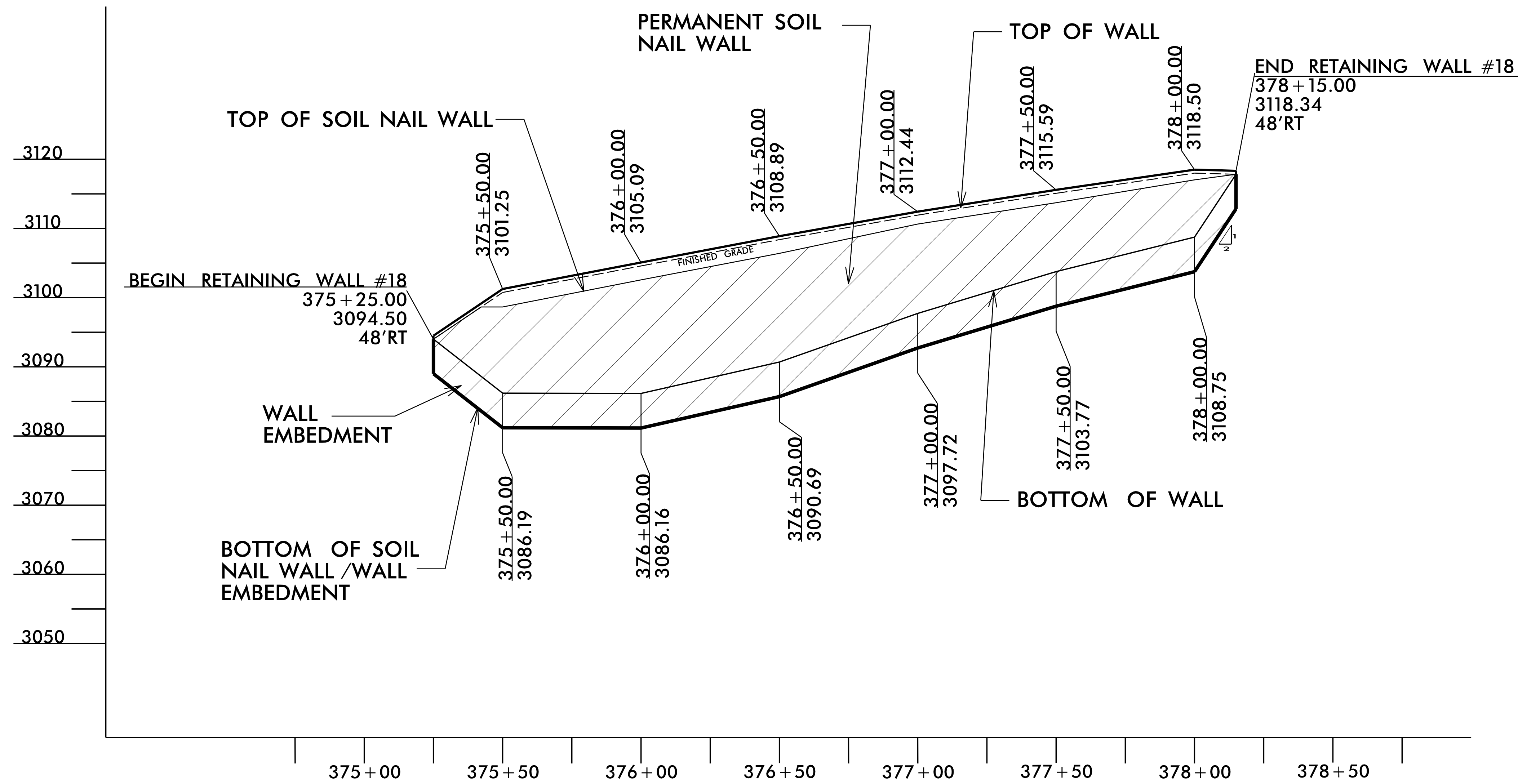
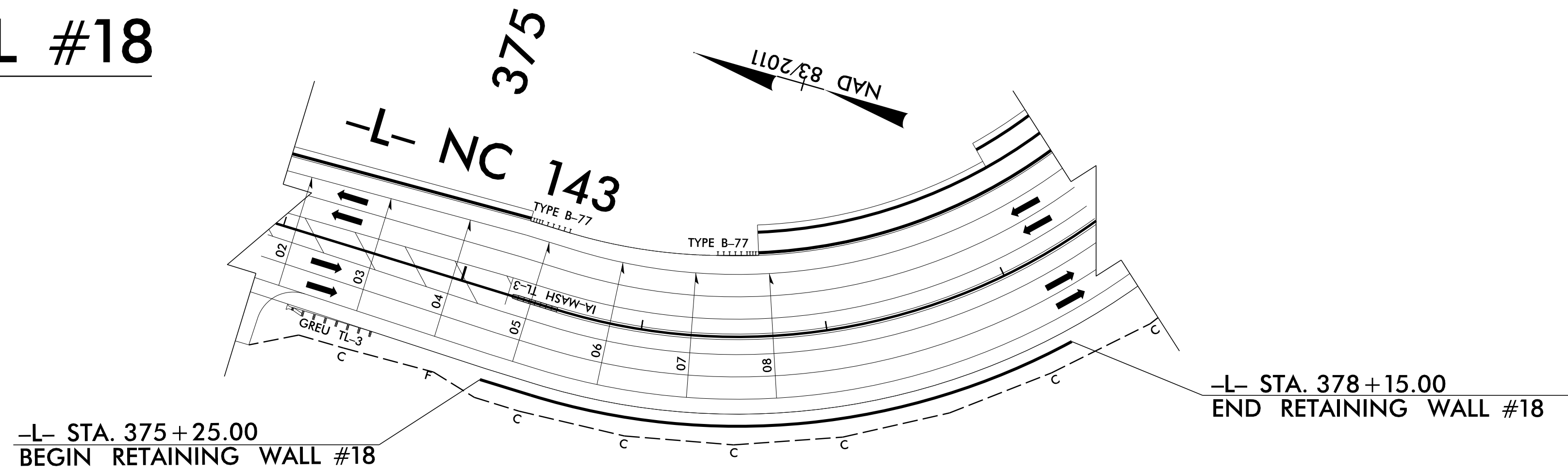


# RETAINING WALL #18

GEOTECHNICAL ENGINEER  SEAL 041986 ENGINEER MATTHEW BREWER	ENGINEER  _____ SIGNATURE _____ DATE
DocuSigned by: D. Matthew Brewer 7/15/2022 _____ SIGNATURE DATE	
<b>DOCUMENT NOT CONSIDERED FINAL UNLESS ALL SIGNATURES COMPLETED</b>	



TYPICAL WALL SECTION  
NOT TO SCALE

PROJECT NO.: A-0009CB  
 GRAHAM COUNTY  
 STATION: -L-375+25, 48' RT TO 378+15, 48' RT  
 SHEET 1 OF 6

Prepared in the Office of:



**CAROLINAS  
GEOTECHNICAL  
GROUP**  
 2400 CROWNPOINT EXECUTIVE DRIVE  
 SUITE 800  
 CHARLOTTE, NC 28227  
 (980) 339-8684

REVISIONS						SHEET NO. W18-1
NO.	BY	DATE	NO.	BY	DATE	
1			3			
2			4			

PREPARED BY: DMB	DATE: 7/14/2022
REVIEWED BY: REK	DATE: 7/14/2022