
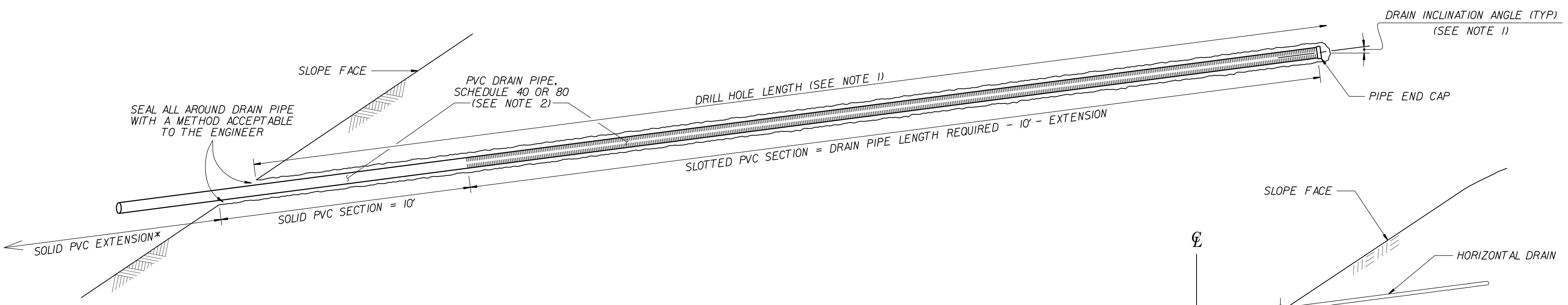
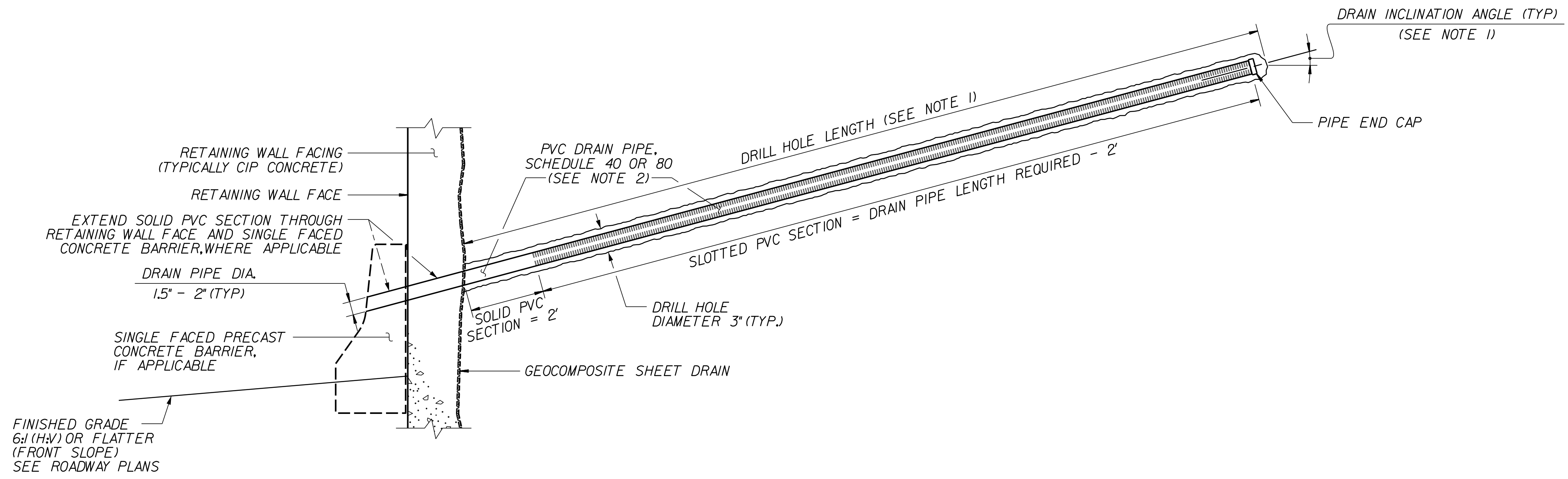


GEOTECHNICAL ENGINEER  SEAL 041986 D. MATTHEW BREWER	ENGINEER _____ SIGNATURE DATE
DocuSigned by: D. Matthew Brewer 7/15/2022 388120C0A6C14E2 SIGNATURE DATE	
DOCUMENT NOT CONSIDERED FINAL UNLESS ALL SIGNATURES COMPLETED	



***EXTEND SOLID PVC SECTION TO CONNECT PIPE TO A DRAINAGE SYSTEM OR DISCHARGE WATER AS DIRECTED**

EXAMPLE CROSS-SECTION WITH SLOPE HORIZONTAL DRAIN
 *SEE NOTE 1 FOR DRAIN ELEVATIONS ABOVE (OR BELOW) GRADE

- NOTES:**
- SEE ROADWAY SUMMARY SHEETS FOR APPROXIMATE KNOWN HORIZONTAL DRAIN LOCATIONS, ELEVATIONS, INCLINATION AND LENGTHS. ADDITIONAL DRAINS MAY BE REQUIRED AS DETERMINED BY THE ENGINEER.
 - DRAIN PIPES MAY BE OMITTED FOR SOME HORIZONTAL DRAINS. SEE ROADWAY SUMMARY SHEETS FOR DRAIN PIPE REQUIREMENTS INCLUDING THOSE DRAINS WITHOUT PIPES.
 - FOR HORIZONTAL DRAINS, SEE HORIZONTAL DRAINS SPECIAL PROVISION.

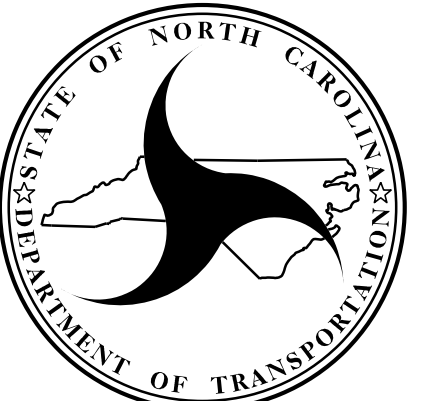
PROJECT NO.: A-0009CB
 GRAHAM COUNTY
 STATION: -L-366+70, 50' RT TO 369+72, 50' RT
 SHEET 8 OF 8

PREPARED BY: DMB	DATE: 7/14/2022
REVIEWED BY: REK	DATE: 7/14/2022

Prepared in the Office of:



CAROLINAS GEOTECHNICAL GROUP
 2400 CROWNPOINT EXECUTIVE DRIVE
 SUITE 800
 CHARLOTTE, NC 28227
 (980) 339-8684



NORTH CAROLINA DEPARTMENT OF TRANSPORTATION DIVISION OF HIGHWAYS

GEOTECHNICAL ENGINEERING UNIT

REVISIONS						SHEET NO.
NO.	BY	DATE	NO.	BY	DATE	
1			3			W16-8
2			4			