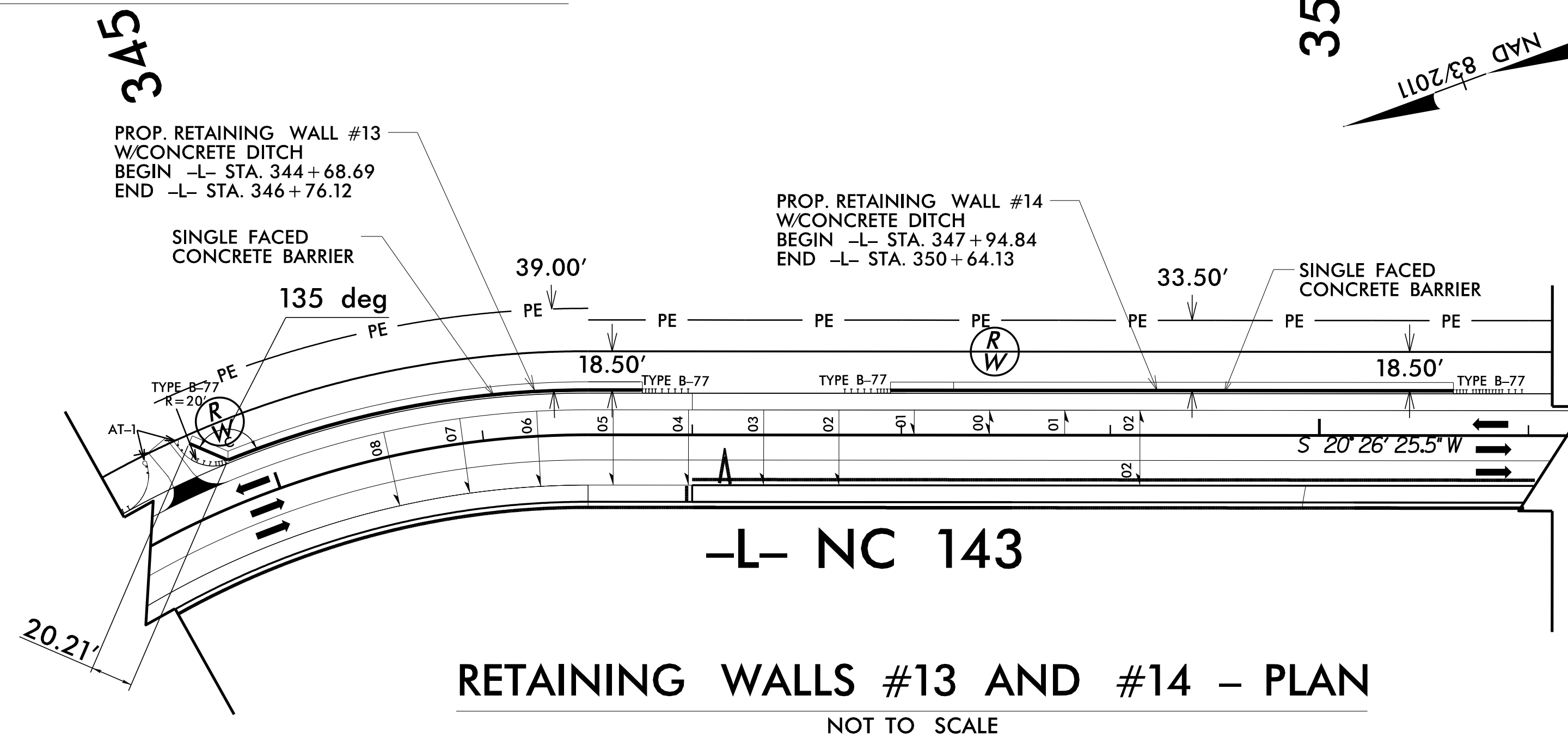
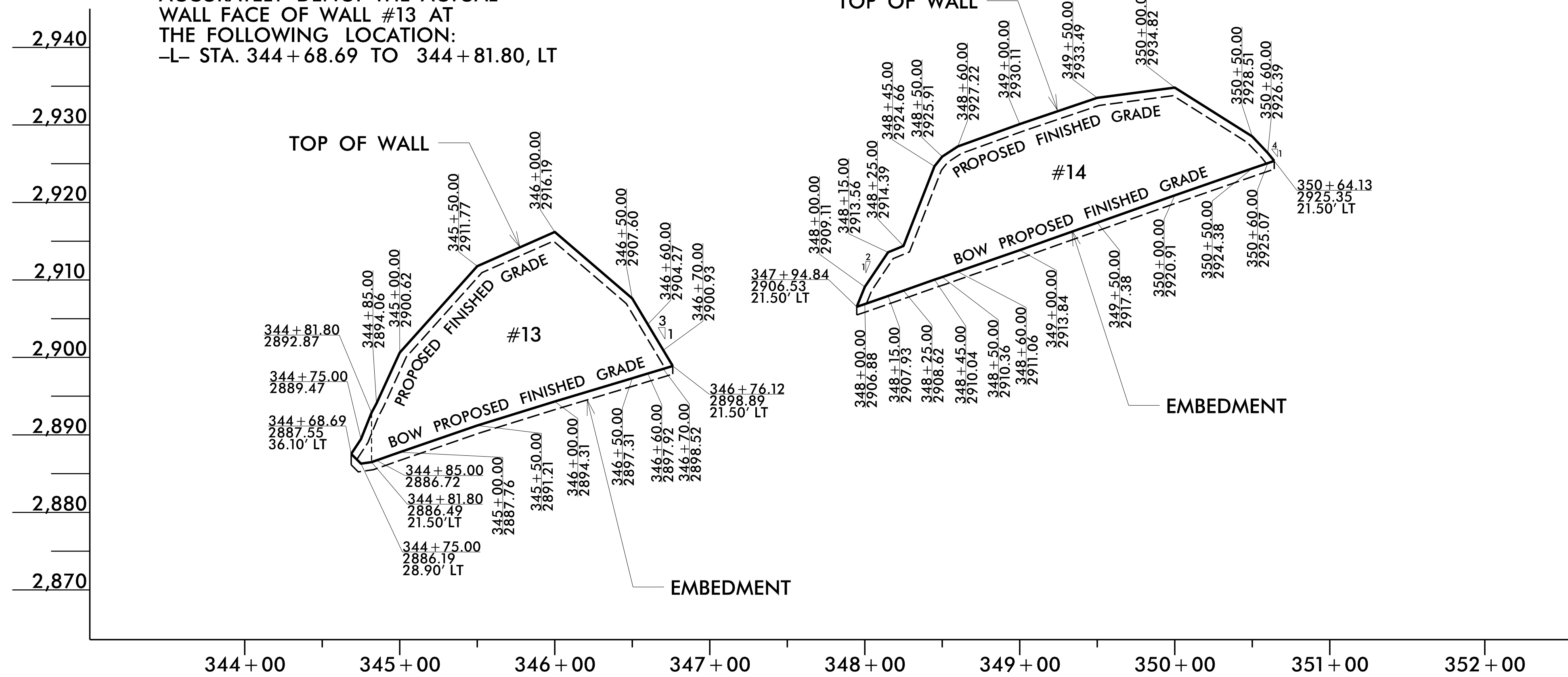


RETAINING WALL #13 AND #14:



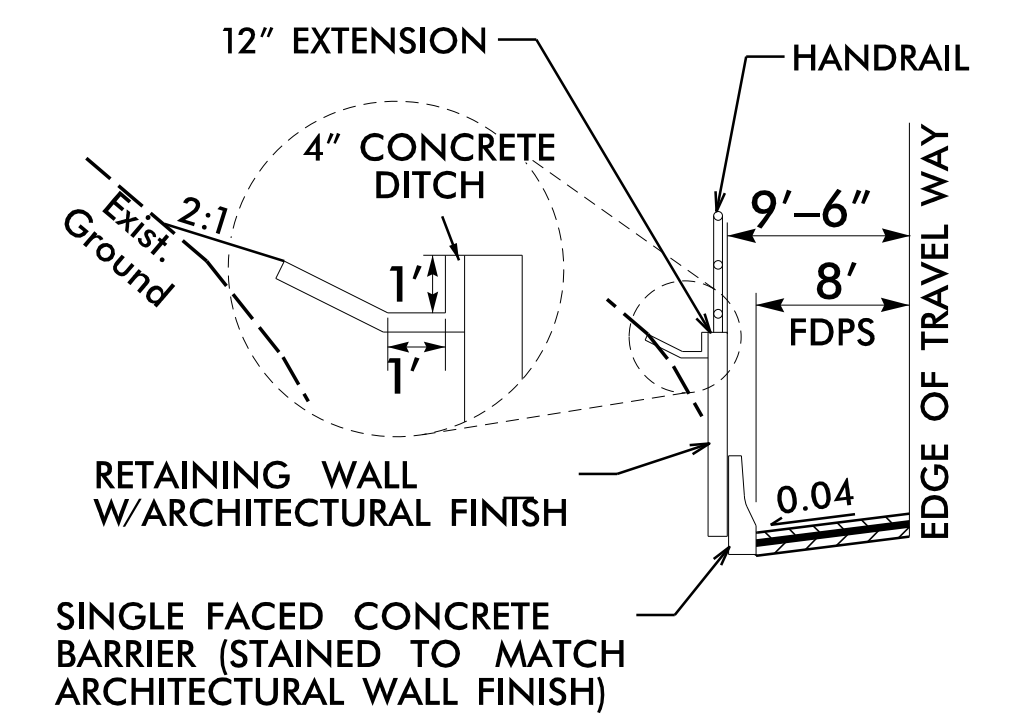
RETAINING WALLS #13 AND #14 - PLAN
NOT TO SCALE

THE WALL ENVELOPE DOES NOT ACCURATELY DEPICT THE ACTUAL WALL FACE OF WALL #13 AT THE FOLLOWING LOCATION:
-L- STA. 344 + 68.69 TO 344 + 81.80, LT



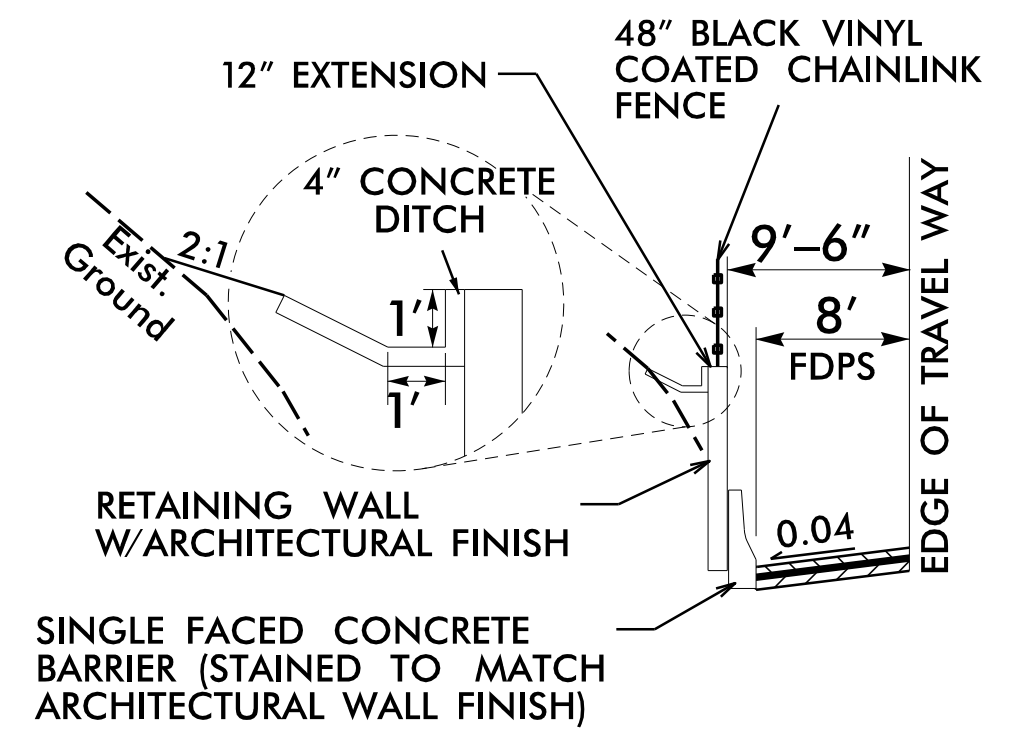
RETAINING WALL #13 AND #14 - ENVELOPES

NOT TO SCALE
BOW = BOTTOM OF WALL
(LOOKING AT FACE OF WALL)



DETAIL FOR WALL #13
NOT TO SCALE

-L- STA. 344 + 68.69 TO -L- STA. 346 + 76.12, LT



DETAIL FOR WALL #14
NOT TO SCALE

-L- STA. 347 + 94.84 TO -L- STA. 350 + 64.13, LT

PROJECT NO.: A-0009CB

GRAHAM COUNTY

RETAINING WALL #13: -L- 344+69, 36' LT TO 346+76, 22' LT

RETAINING WALL #14: -L- 347+95, 22' LT TO 350+64, 22' LT

SHEET 1 OF 4

GEOTECHNICAL ENGINEER SEAL 042642 ROBERT E. KRAL	ENGINEER DATE: 06/08/2022 SIGNATURE: _____ DATE: _____
DOCUMENT NOT CONSIDERED FINAL UNLESS ALL SIGNATURES COMPLETED	

PREPARED BY: R. KRAL
REVIEWED BY: M. BREWER

DATE: 6/2/2022
DATE: 6/2/2022
RETAINING WALL #13 AND #14 ENVELOPES AND WALL LAYOUTS PROVIDED BY TGS ENGINEERS, INC.

Prepared in the Office of:

CAROLINAS GEOTECHNICAL GROUP
2400 CROWNPOINT EXECUTIVE DRIVE
SUITE 800
CHARLOTTE, NC 28227
(980) 339-8684

NORTH CAROLINA DEPARTMENT OF TRANSPORTATION DIVISION OF HIGHWAYS

GEOTECHNICAL ENGINEERING UNIT

REVISIONS					
NO.	BY	DATE	NO.	BY	DATE
1			3		
2			4		

SHEET NO. W13-1