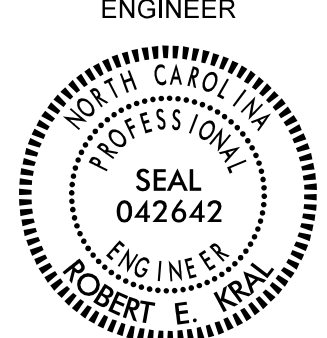
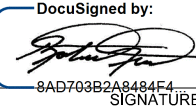
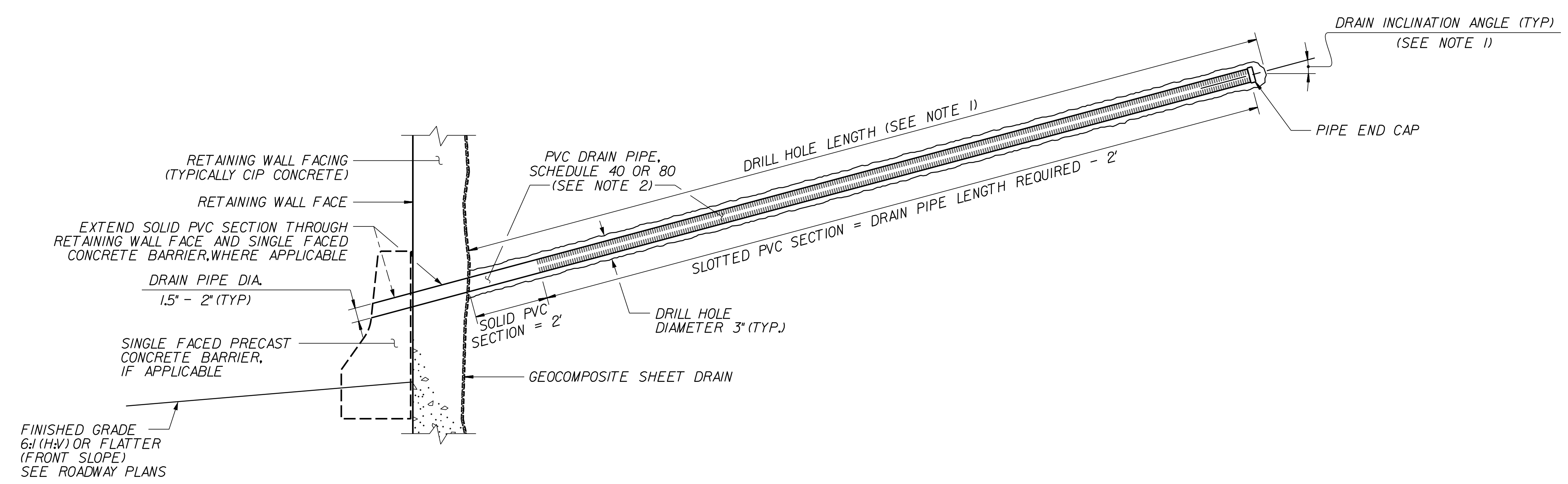
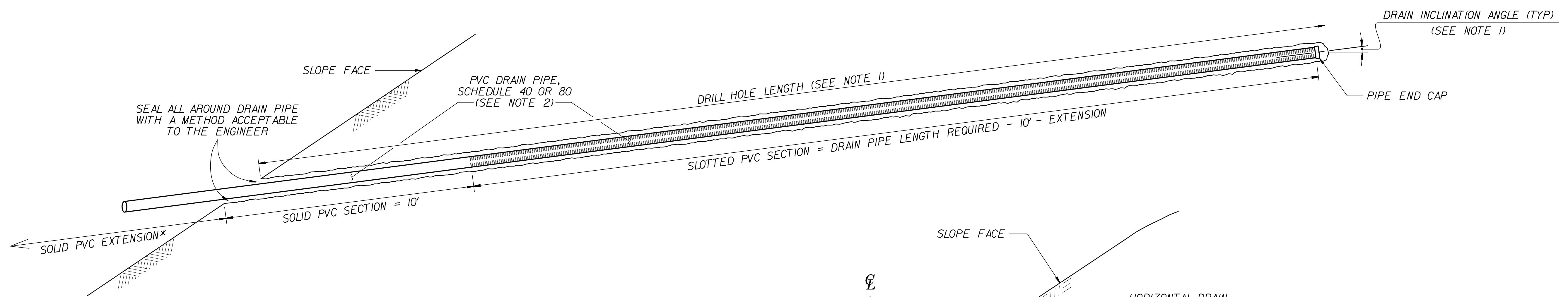


GEOTECHNICAL ENGINEER  SEAL 042642 ROBERT E. KRAL	ENGINEER
DocuSigned by:  06/08/2022 DATE	SIGNATURE DATE
DOCUMENT NOT CONSIDERED FINAL UNLESS ALL SIGNATURES COMPLETED	



RETAINING WALL HORIZONTAL DRAIN



SLOPE HORIZONTAL DRAIN

*EXTEND SOLID PVC SECTION TO CONNECT PIPE TO A DRAINAGE SYSTEM OR DISCHARGE WATER AS DIRECTED

EXAMPLE CROSS-SECTION WITH SLOPE HORIZONTAL DRAIN
*SEE NOTE 1 FOR DRAIN ELEVATIONS ABOVE (OR BELOW) GRADE

NOTES:

1. SEE ROADWAY SUMMARY SHEETS FOR APPROXIMATE KNOWN HORIZONTAL DRAIN LOCATIONS, ELEVATIONS, INCLINATION AND LENGTHS. ADDITIONAL DRAINS MAY BE REQUIRED AS DETERMINED BY THE ENGINEER.
2. DRAIN PIPES MAY BE OMITTED FOR SOME HORIZONTAL DRAINS. SEE ROADWAY SUMMARY SHEETS FOR DRAIN PIPE REQUIREMENTS INCLUDING THOSE DRAINS WITHOUT PIPES.
3. FOR HORIZONTAL DRAINS, SEE HORIZONTAL DRAINS SPECIAL PROVISION (GT-12).

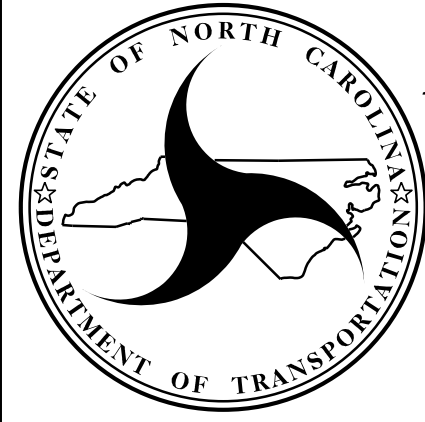
PROJECT NO.: A-0009CB
GRAHAM COUNTY
RETAINING WALL #12: -L- 341+76, 22' LT TO 344+11, 22' LT
SHEET 3 OF 3

PREPARED BY: R. KRAL	DATE: 6/2/2022
REVIEWED BY: M. BREWER	DATE: 6/2/2022

Prepared in the Office of:



CAROLINAS GEOTECHNICAL GROUP
2400 CROWNPOINT EXECUTIVE DRIVE
SUITE 800
CHARLOTTE, NC 28227
(980) 339-8684



NORTH CAROLINA DEPARTMENT OF TRANSPORTATION DIVISION OF HIGHWAYS

GEOTECHNICAL ENGINEERING UNIT

REVISIONS						SHEET NO.
NO.	BY	DATE	NO.	BY	DATE	
1			3			W12-3
2			4			