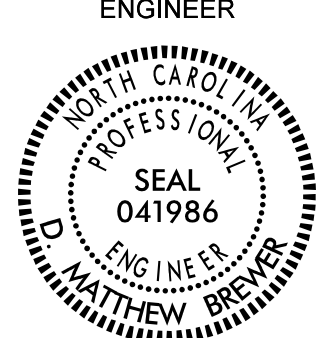


RETAINING WALL #10:

GEOTECHNICAL ENGINEER

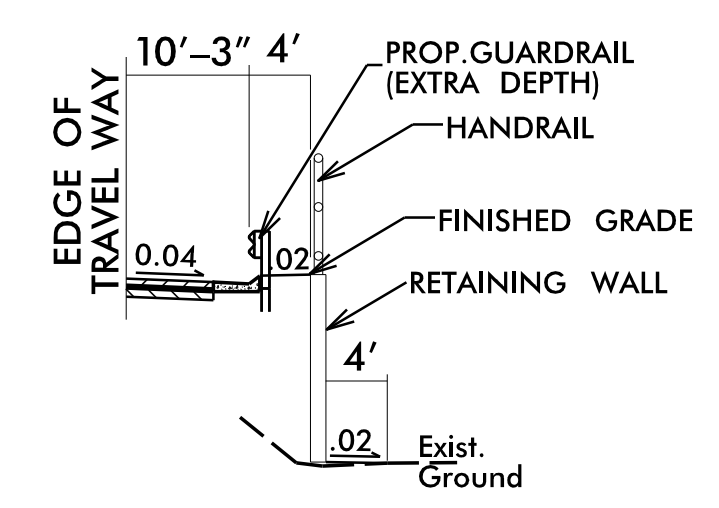
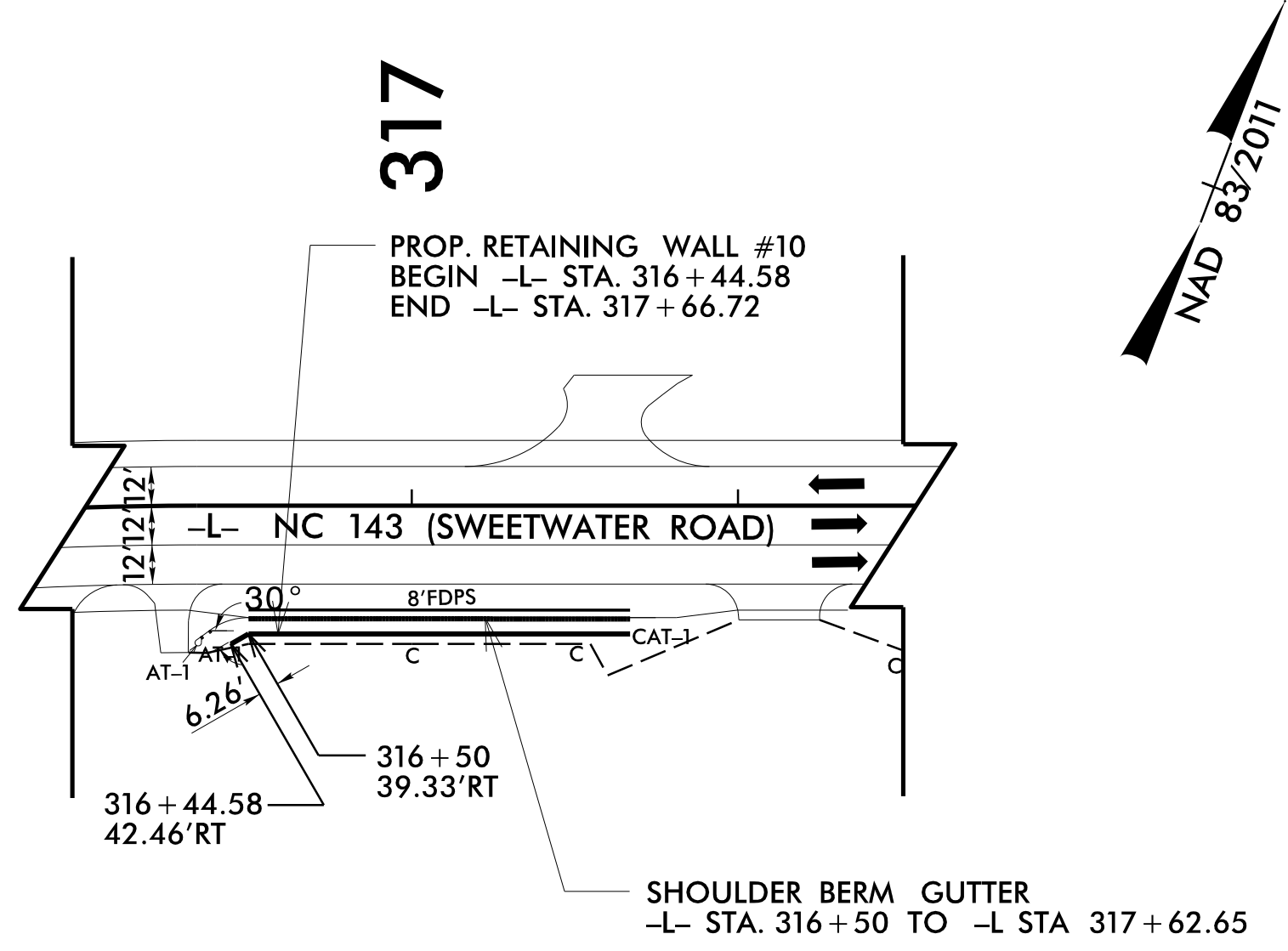


DocuSigned by:
D. Matthew Browne
388128C0A0C1462

6/7/2022

ENGINEER

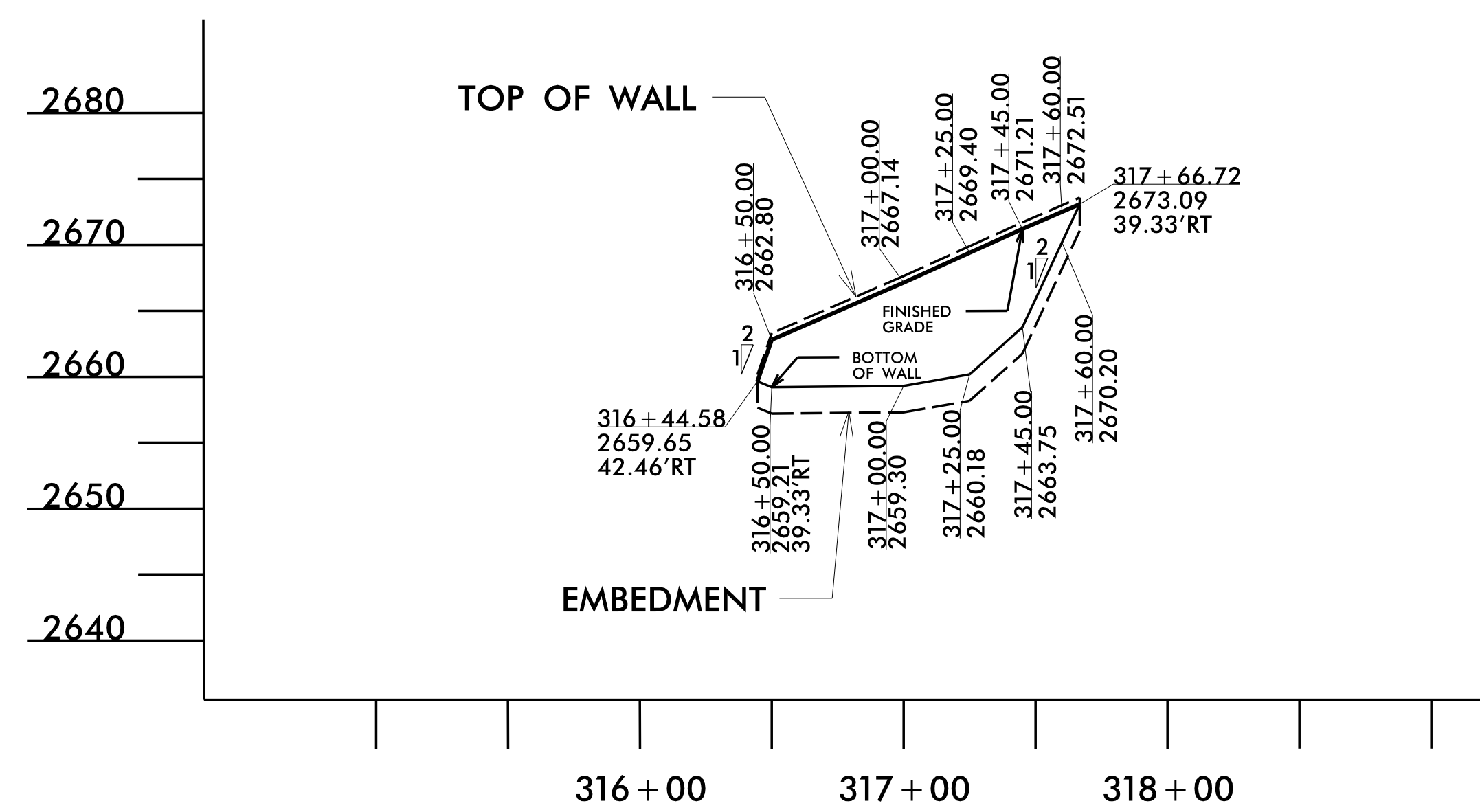
SIGNATURE DATE



DETAIL FOR RETAINING WALL #10
-L- STA. 316+44.58 TO -L- STA. 317+66.72, RT

ESTIMATED RETAINING WALL QUANTITY (SQUARE FEET)	
MECHANICALLY STABILIZED EARTH (MSE) RETAINING WALL #10	1,070 SF*

*INCLUDES WALL EMBEDMENT



RETAINING WALL #10:
NOT TO SCALE
(LOOKING AT FACE OF WALL)

MSE RETAINING WALL #10						
STA. -L-	OFFSET FROM -L- (FT)	FINISHED GRADE* (FT)	BOTTOM OF WALL (FT)	TOP OF LEVELING PAD (FT)	ESTIMATED MSE WALL EMBEDMENT (FT)	DESIGN MSE WALL HEIGHT "H" (FT)
316+44.58	42.46 RT	2659.65	2659.65	2657.65	2.00	2.00
316+50.00	39.33 RT	2662.80	2659.21	2657.21	2.00	5.59
317+00.00	39.33 RT	2667.14	2659.30	2657.30	2.00	9.84
317+25.00	39.33 RT	2669.40	2660.18	2658.18	2.00	11.22
317+45.00	39.33 RT	2671.21	2663.75	2661.75	2.00	9.46
317+60.00	39.33 RT	2672.51	2670.20	2668.20	2.00	4.31
317+66.72	39.33 RT	2673.09	2673.09	2671.09	2.00	2.00

*FINISHED GRADE ELEVATION ADJACENT TO COPING EXTENSION, SEE TYPICAL DETAIL

PROJECT NO.: A-0009CB
GRAHAM COUNTY
RETAINING WALL #10 STATION: -L- 316+45, 42' RT TO 317+67, 39' RT
SHEET 1 OF 3


PREPARED BY: DMB DATE: 5/6/2022
REVIEWED BY: REK DATE: 5/6/2022

RETAINING WALL #10 ENVELOPE AND WALL LAYOUT PROVIDED BY TGS ENGINEERS, INC.

Prepared in the Office of:



CAROLINAS GEOTECHNICAL GROUP
2400 CROWNPOINT EXECUTIVE DRIVE
SUITE 800
CHARLOTTE, NC 28227
(980) 339-8684



TGS ENGINEERS
804-C N. LAFAYETTE ST
SHELBY, NC 28150
PH (704) 476-0003
CORP. LICENSE NO.: C-0275

**RETAINING WALL #10
MECHANICALLY STABILIZED EARTH (MSE)**

REVISIONS						SHEET NO.
NO.	BY	DATE	NO.	BY	DATE	
1			3			W10-1
2			4			