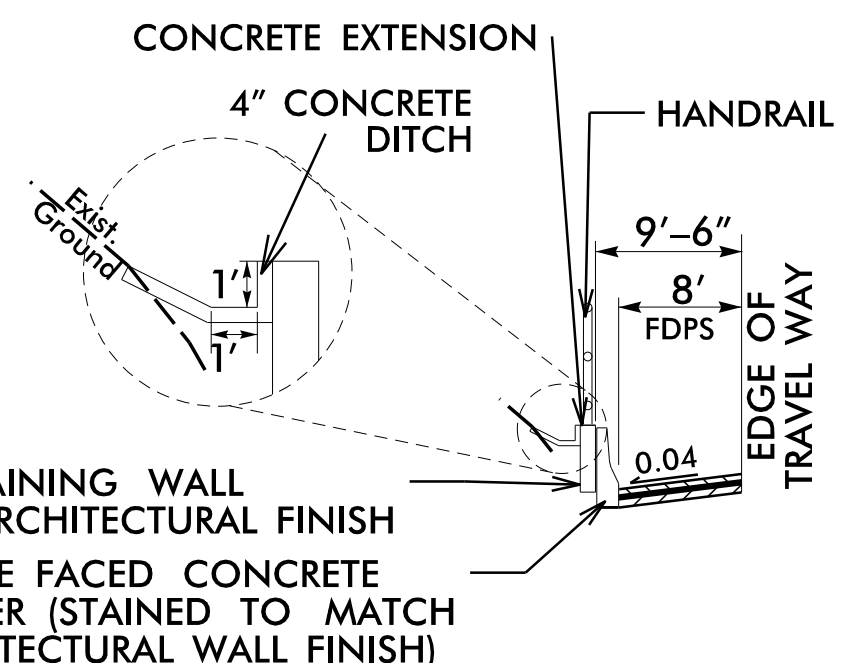
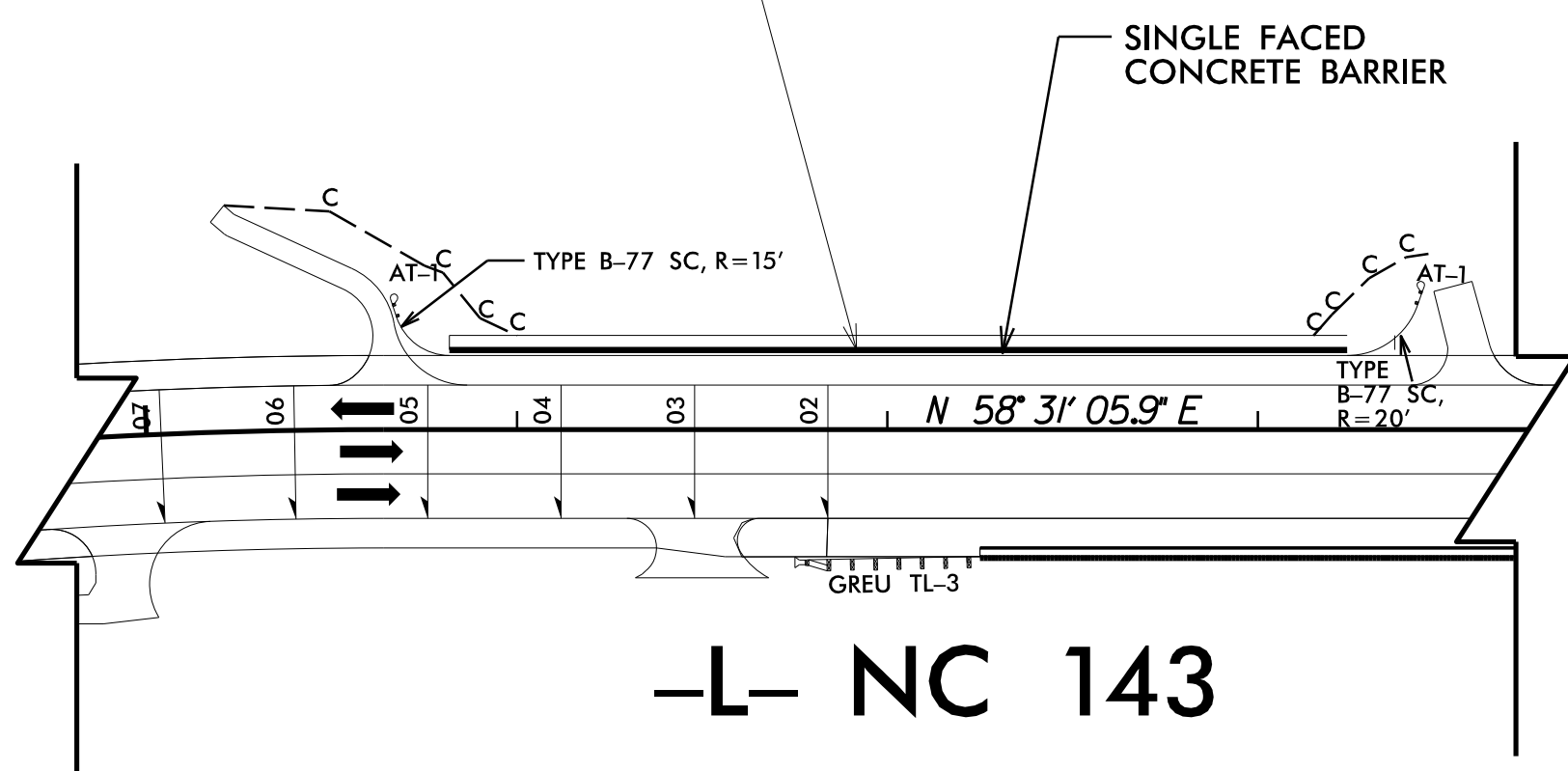


RETAINING WALL #11:

330

PROP. RETAINING WALL #11
W/CONCRETE DITCH
BEGIN -L- STA. 330+81.78
END -L- STA. 333+24.11

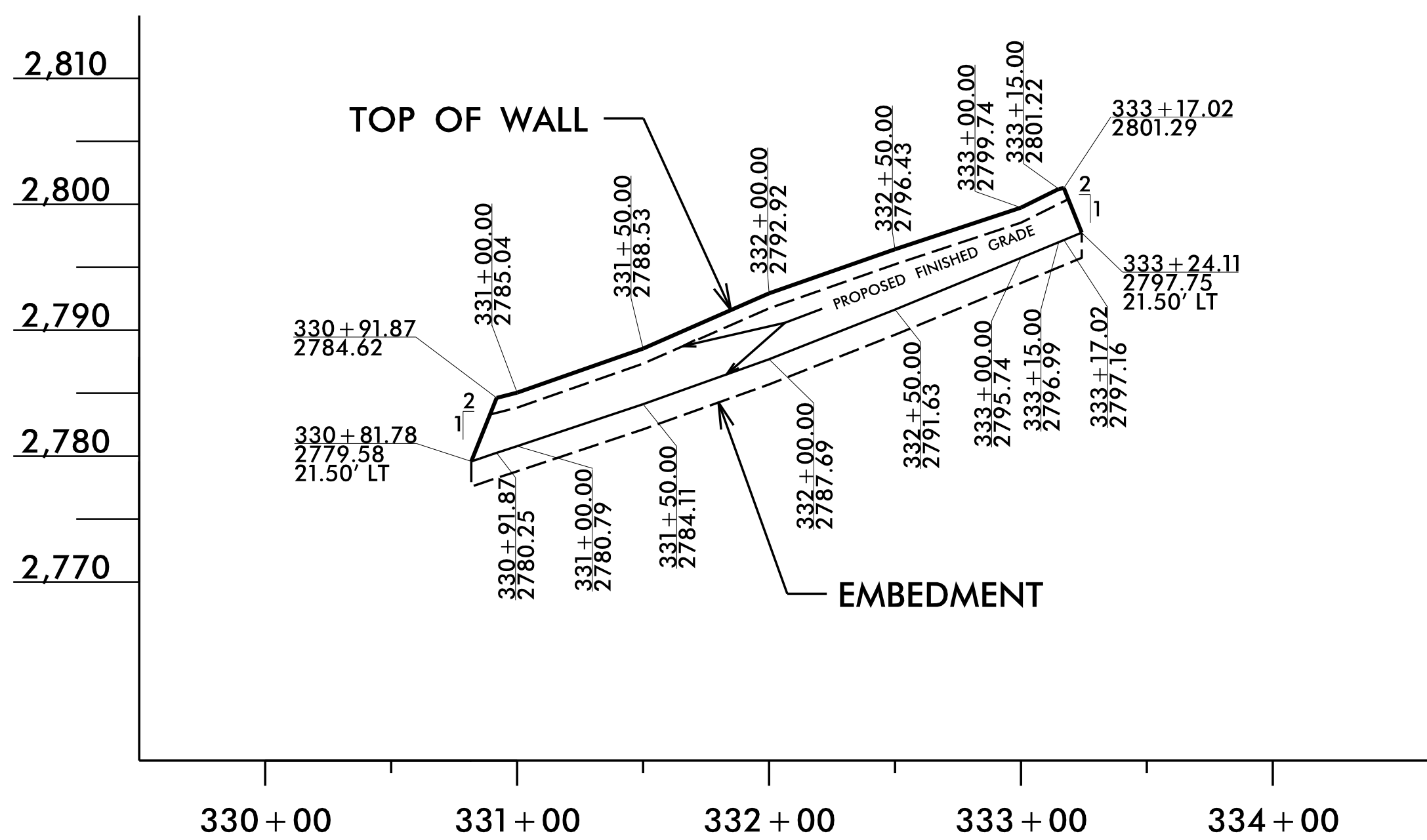


DETAIL FOR WALL #11

NOT TO SCALE
-L- STA. 330+81.78 TO -L- STA. 333+24.11, LT

ESTIMATED RETAINING WALL QUANTITY (SQUARE FEET)	
NON-STANDARD CIP GRAVITY RETAINING WALL #11	1,285 SF
FORM LINER ARCHITECTURAL FINISH*	430 SF

* AREA OF EXPOSED WALL FACE BETWEEN TOP OF SINGLE FACED CONCRETE BARRIER AND TOP OF WALL



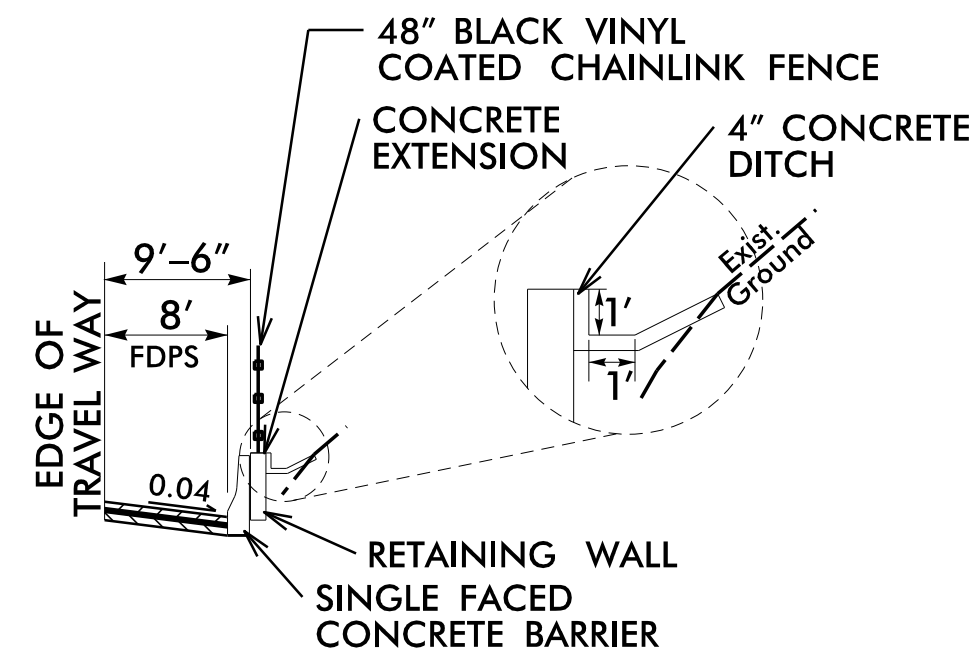
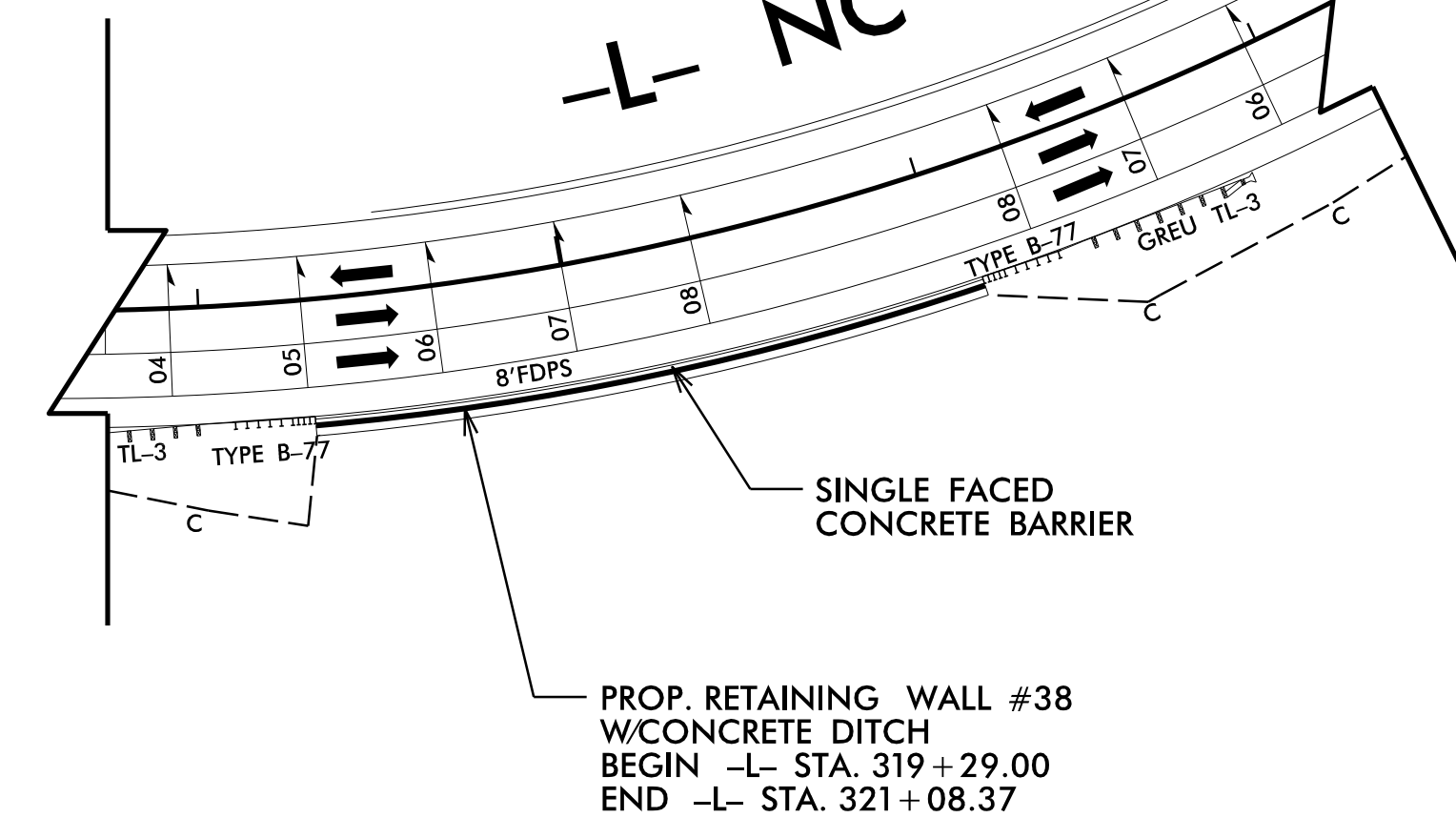
RETAINING WALL #11:

NOT TO SCALE
(LOOKING AT FACE OF WALL)

RETAINING WALL #38:

320

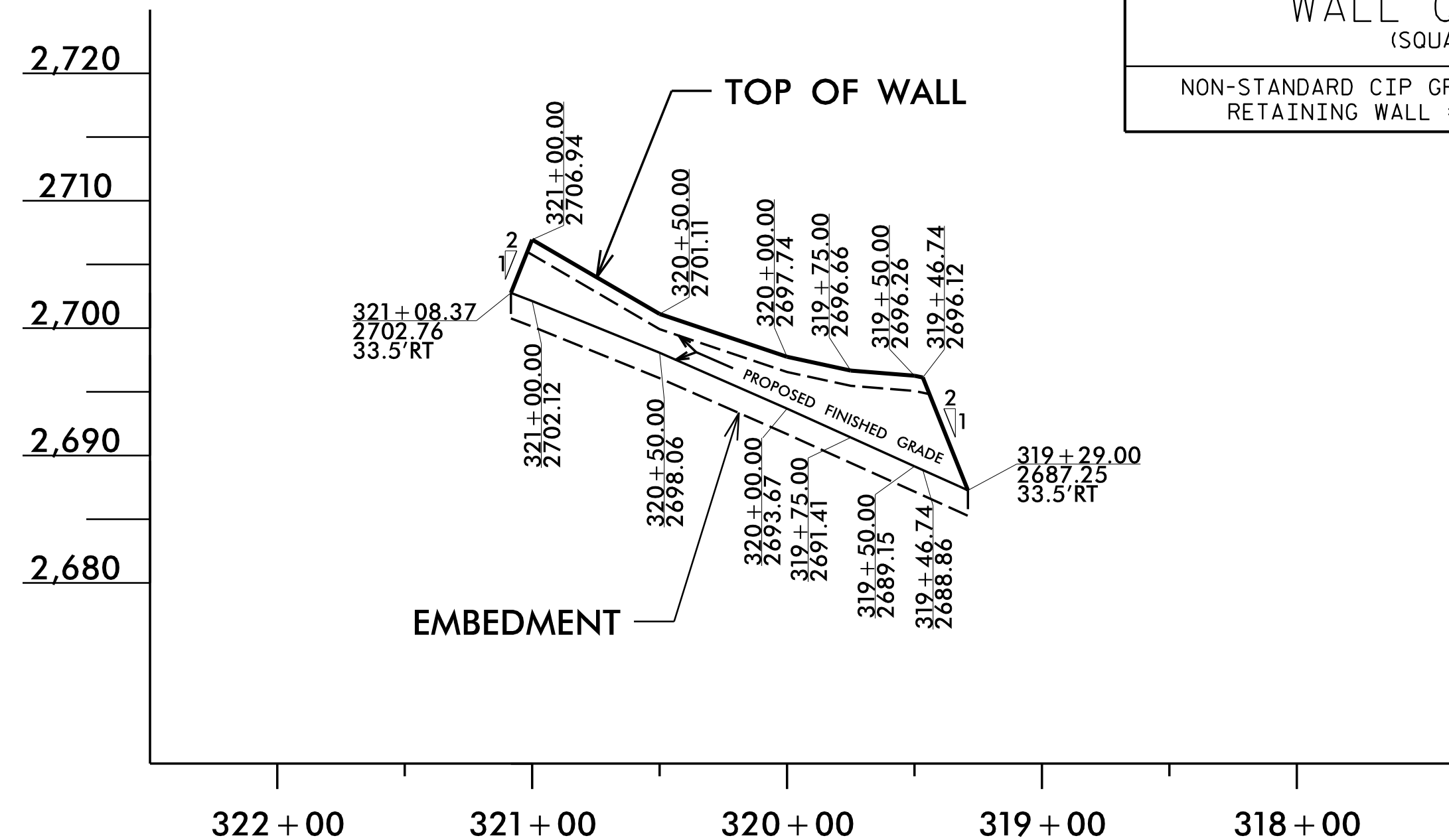
-L- NC 143



DETAIL FOR WALL #38

NOT TO SCALE
-L- STA. 319+29.00 TO -L- STA. 321+08.37, RT

ESTIMATED RETAINING WALL QUANTITY (SQUARE FEET)	
NON-STANDARD CIP GRAVITY RETAINING WALL #38	930 SF



RETAINING WALL #38:

NOT TO SCALE
(LOOKING AT FACE OF WALL)

PROJECT NO.: A-0009CB

GRAHAM COUNTY

RETAINING WALL #7: -L- 269+25, 28' RT TO 272+19, 33' RT

RETAINING WALL #9: -L- 290+80, 22' LT TO 292+85, 22' LT

RETAINING WALL #11: -L- 330+82, 22' LT TO 333+24, 22' LT

RETAINING WALL #38: -L- 319+29, 34' LT TO 321+08, 34' LT

SHEET 2 OF 3

PREPARED BY: R. KRAL
REVIEWED BY: M. BREWER

DATE: 5/17/2022
DATE: 5/17/2022

RETAINING WALL #11 AND #38 ENVELOPES AND WALL LAYOUTS PROVIDED BY TGS ENGINEERS, INC.

Prepared in the Office of:

CAROLINAS GEOTECHNICAL GROUP
2400 CROWNPOINT EXECUTIVE DRIVE
SUITE 800
CHARLOTTE, NC 28227
(980) 339-8684

NORTH CAROLINA DEPARTMENT OF TRANSPORTATION DIVISION OF HIGHWAYS

GEOTECHNICAL ENGINEERING UNIT

RETAINING WALL #7, #9, #11, #38
NON-STANDARD CIP GRAVITY RETAINING WALL

REVISIONS					
NO.	BY	DATE	NO.	BY	DATE
1			3		
2			4		

SHEET NO. W7-2