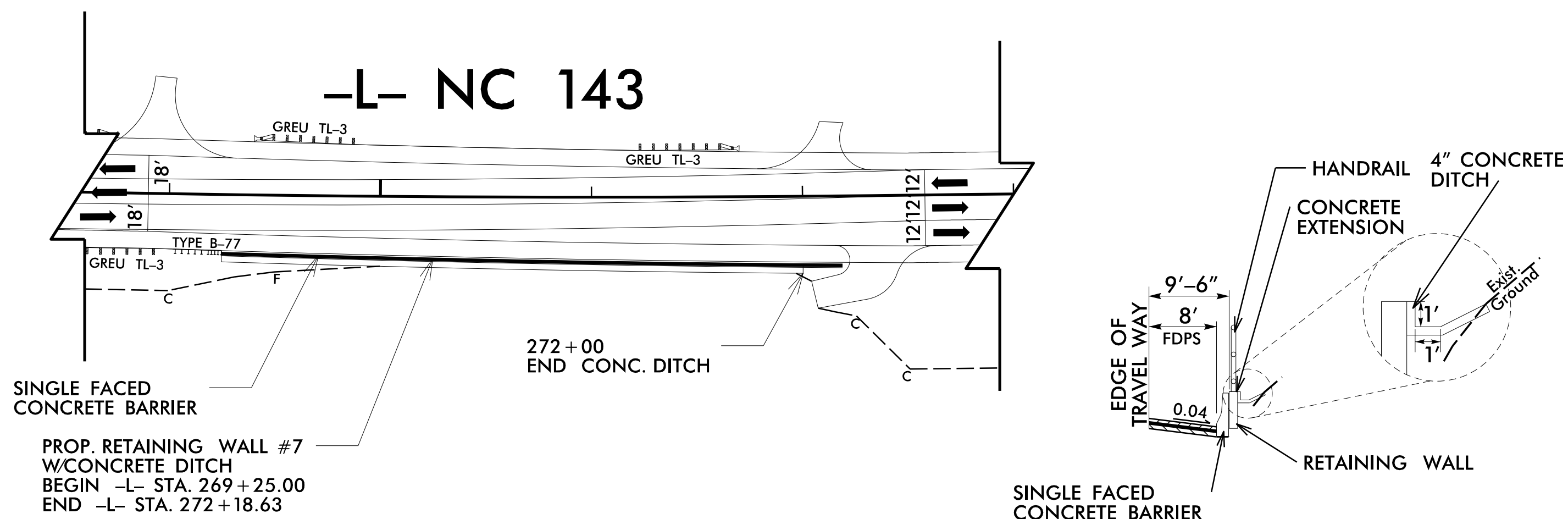
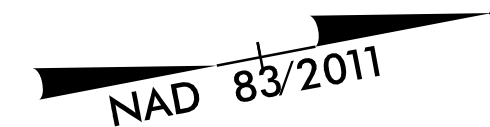


RETAINING WALL #7:

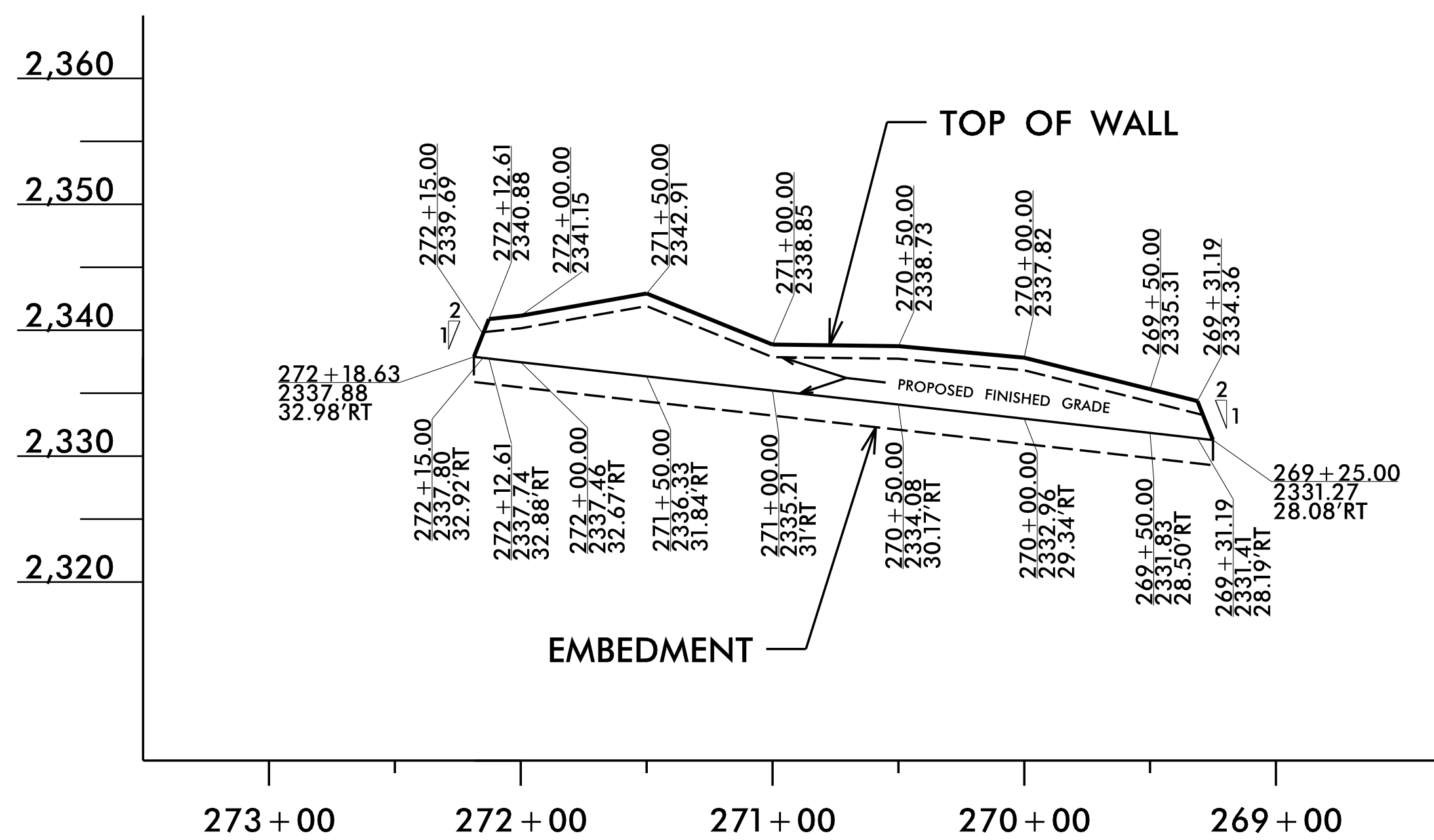
270



DETAIL FOR WALL #7

NOT TO SCALE
-L- STA. 269+25.00 TO -L- STA. 272+18.63, RT

ESTIMATED RETAINING WALL QUANTITY (SQUARE FEET)	
NON-STANDARD CIP GRAVITY RETAINING WALL #7	1,595 SF

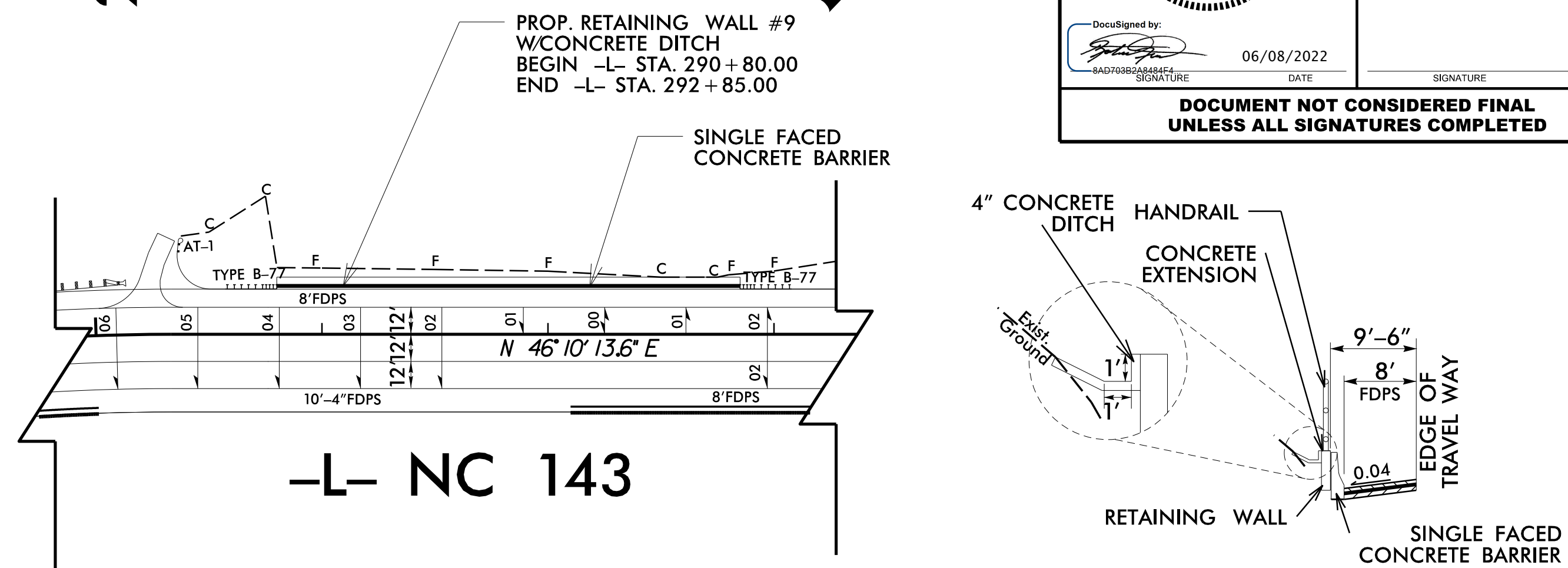


RETAINING WALL #7:

NOT TO SCALE
(LOOKING AT FACE OF WALL)

RETAINING WALL #9:

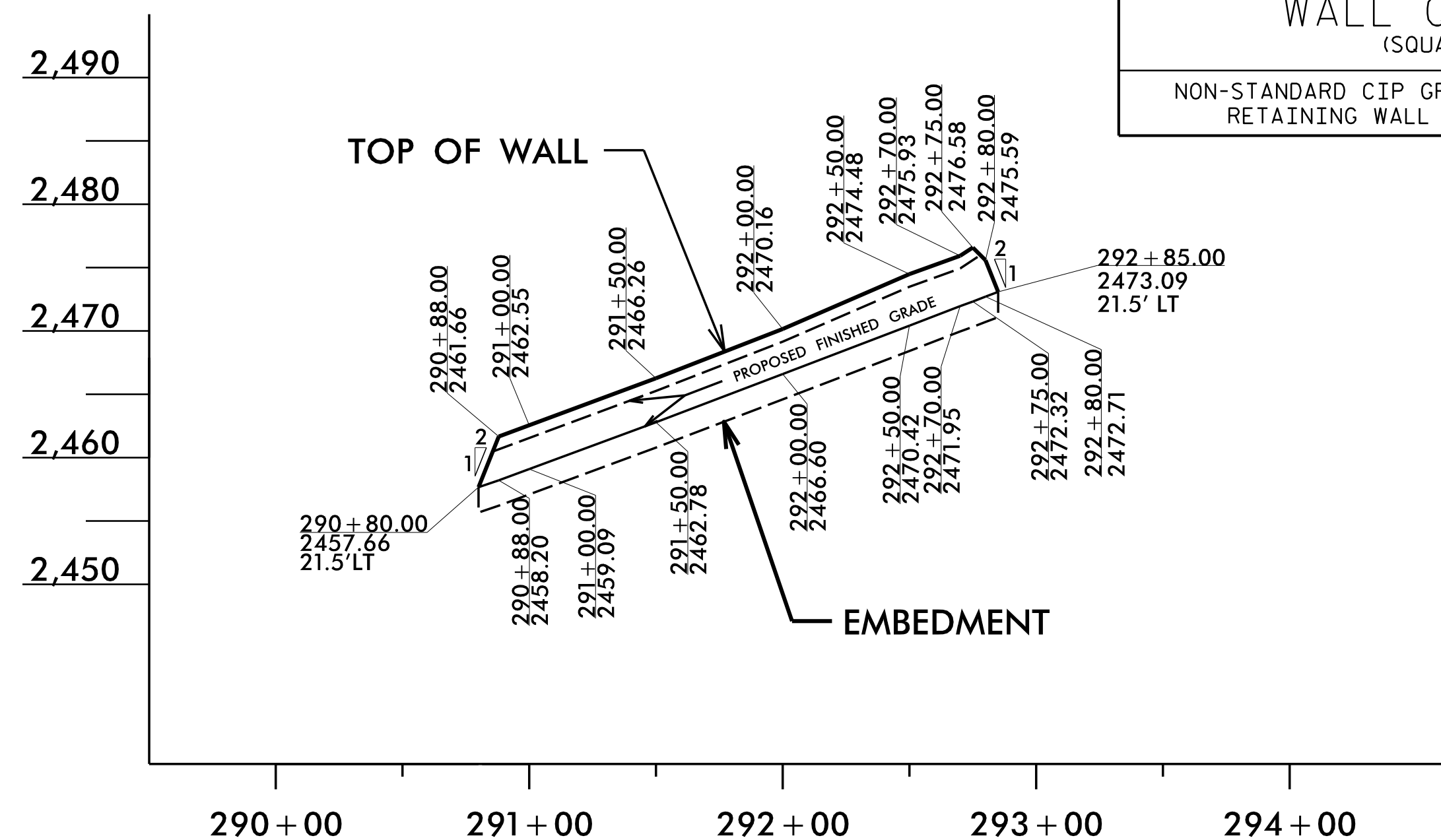
290



DETAIL FOR WALL #9

NOT TO SCALE
-L- STA. 290+80.00 TO -L- STA. 292+85.00, LT

ESTIMATED RETAINING WALL QUANTITY (SQUARE FEET)	
NON-STANDARD CIP GRAVITY RETAINING WALL #9	945 SF



RETAINING WALL #9:

NOT TO SCALE
(LOOKING AT FACE OF WALL)

PROJECT NO.: A-0009CB

GRAHAM COUNTY

RETAINING WALL #7: -L- 269+25, 28' RT TO 272+19, 33' RT

RETAINING WALL #9: -L- 290+80, 22' LT TO 292+85, 22' LT

RETAINING WALL #11: -L- 330+82, 22' LT TO 333+24, 22' LT

RETAINING WALL #38: -L- 319+29, 34' LT TO 321+08, 34' LT

SHEET 1 OF 3

PREPARED BY: R. KRAL	DATE: 5/17/2022
REVIEWED BY: M. BREWER	DATE: 5/17/2022

RETAINING WALL #7 AND #9 ENVELOPES AND WALL LAYOUTS PROVIDED BY TGS ENGINEERS, INC.

Prepared in the Office of:

CAROLINAS GEOTECHNICAL GROUP
2400 CROWPOINT EXECUTIVE DRIVE
SUITE 800
CHARLOTTE, NC 28227
(980) 339-8684

NORTH CAROLINA DEPARTMENT OF TRANSPORTATION DIVISION OF HIGHWAYS

GEOTECHNICAL ENGINEERING UNIT

RETAINING WALL #7, #9, #11, #38 NON-STANDARD CIP GRAVITY RETAINING WALL

REVISIONS					
NO.	BY	DATE	NO.	BY	DATE
1			3		
2			4		

SHEET NO. W7-1