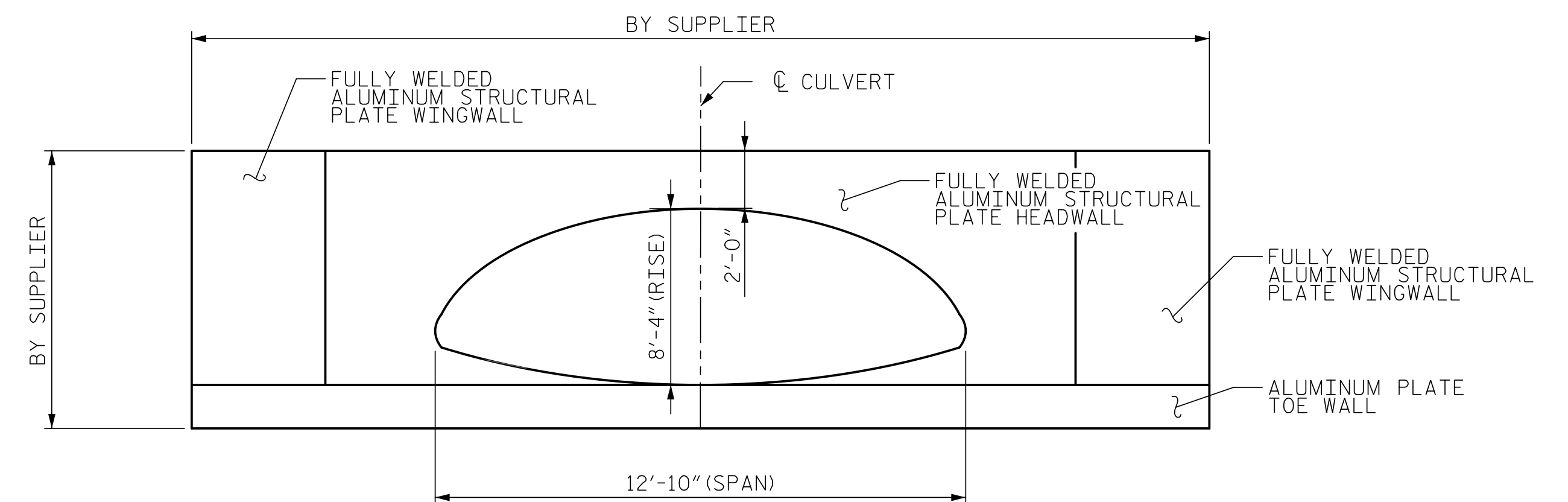
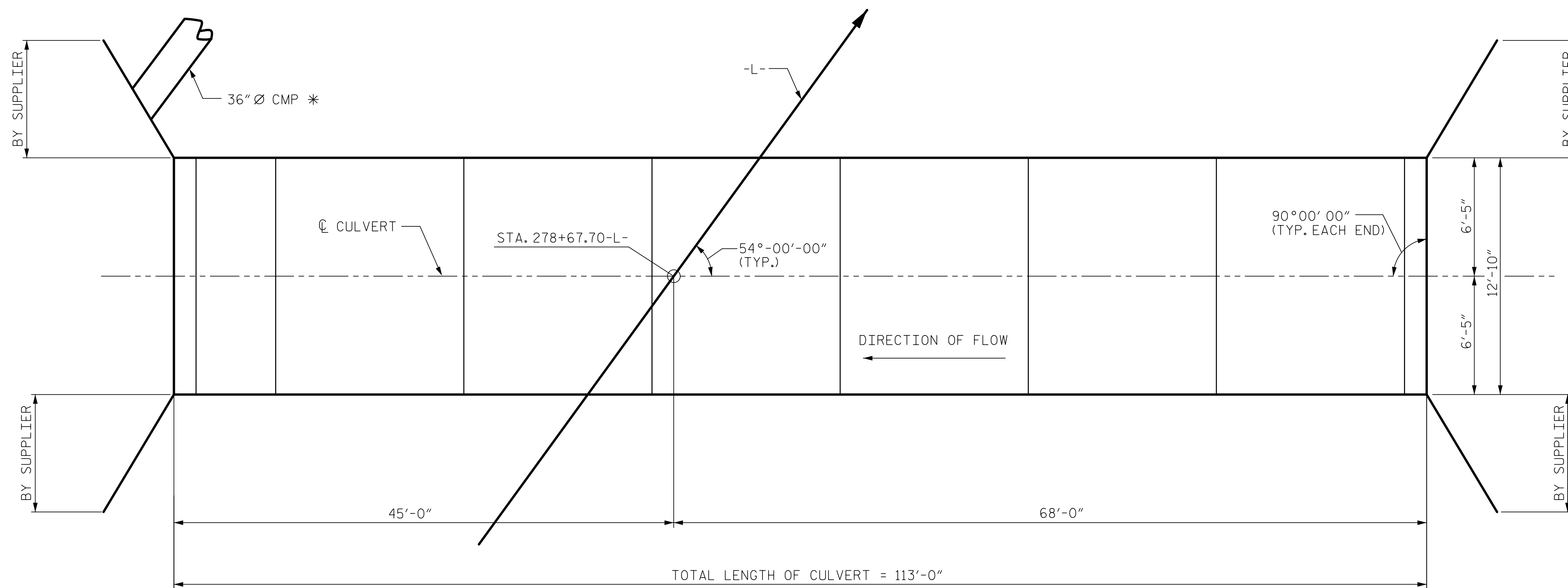


CULVERT SECTION NORMAL TO ROADWAY



END ELEVATION
(INLET & OUTLET)

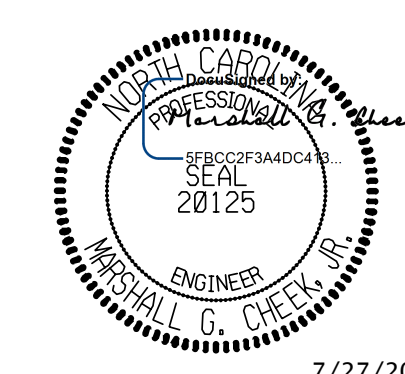


PLAN VIEW

*NOTE: WING SHALL BE DESIGNED TO ACCOMMODATE 36" Ø CMP

PROJECT NO. A-0009CB
GRAHAM COUNTY
 STATION: 278+67.70 -L-

SHEET 2 OF 3



STATE OF NORTH CAROLINA
 DEPARTMENT OF TRANSPORTATION
 RALEIGH

12'-10" X 8'-4"
 ALUMINUM
 PIPE ARCH CULVERT
 54° SKEW

DRAWN BY : ZCS DATE : 9/21
 CHECKED BY : MGC DATE : 9/21

DOCUMENT NOT CONSIDERED FINAL
 UNLESS ALL SIGNATURES COMPLETED

TGS ENGINEERS
 706 HILLSBOROUGH STREET
 SUITE 200
 RALEIGH, NC 27603
 PH (919) 773-8887
 CORP. LICENSE NO.: C-0275

REVISIONS						SHEET NO.
NO.	BY:	DATE:	NO.	BY:	DATE:	
1			3			C2-2
2			4			TOTAL SHEETS 3