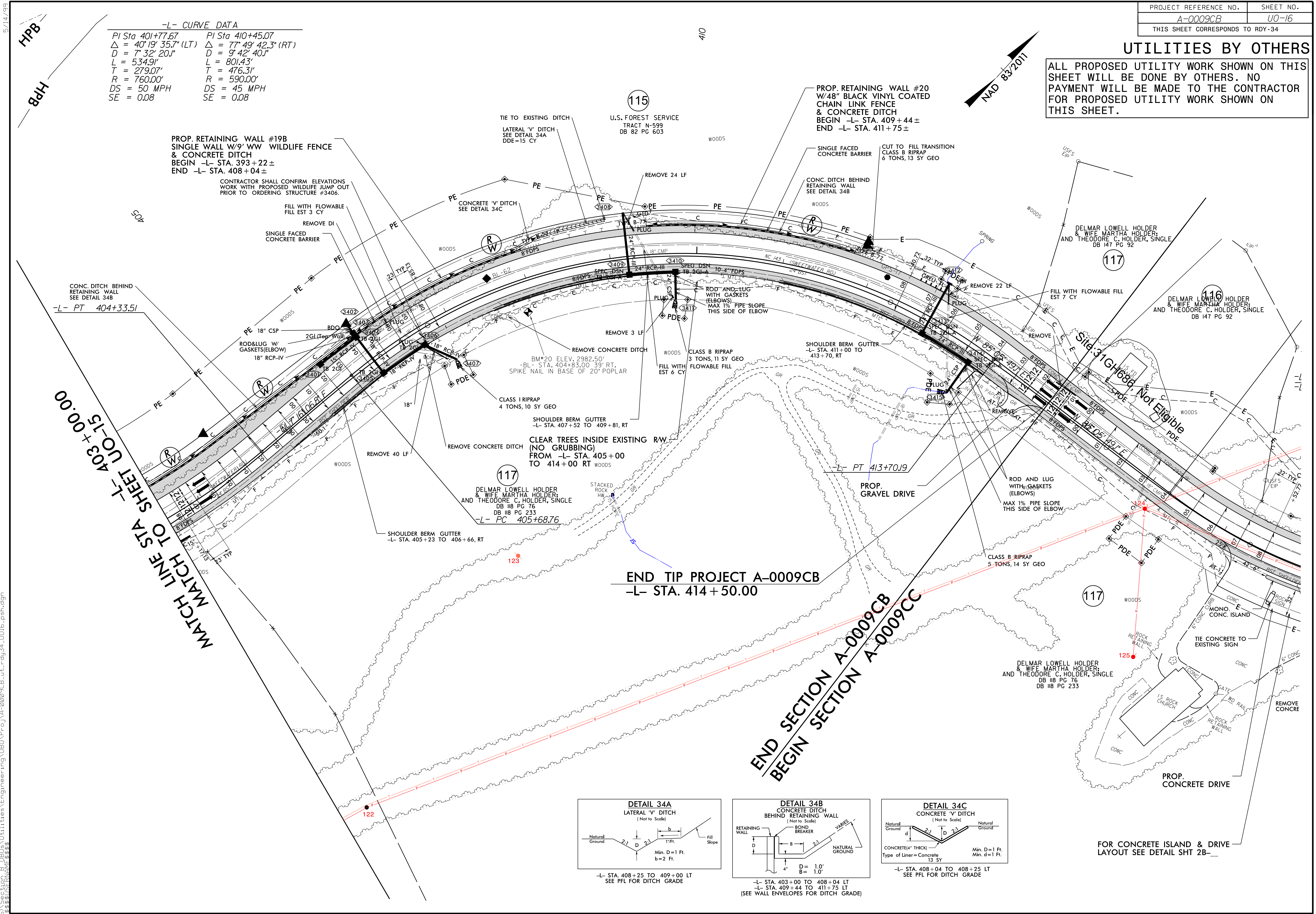


**-L- CURVE DATA**

PI Sta 401+77.67	PI Sta 410+45.07
$\Delta = 40^\circ 19' 35.7" (LT)$	$\Delta = 77^\circ 49' 42.3" (RT)$
D = 7' 32" 20.1"	D = 9' 42" 40.1"
L = 534.9'	L = 801.43'
T = 279.07'	T = 476.31'
R = 760.00'	R = 590.00'
DS = 50 MPH	DS = 45 MPH
SE = 0.08	SE = 0.08

**UTILITIES BY OTHERS**

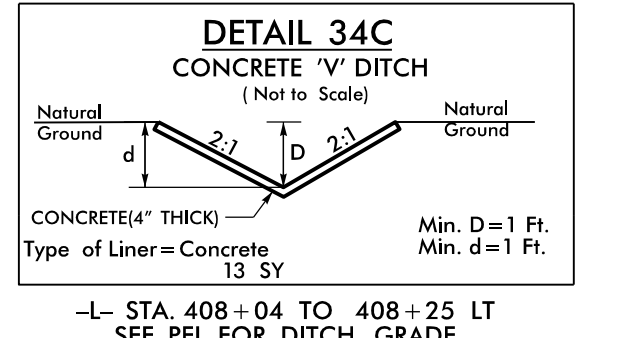
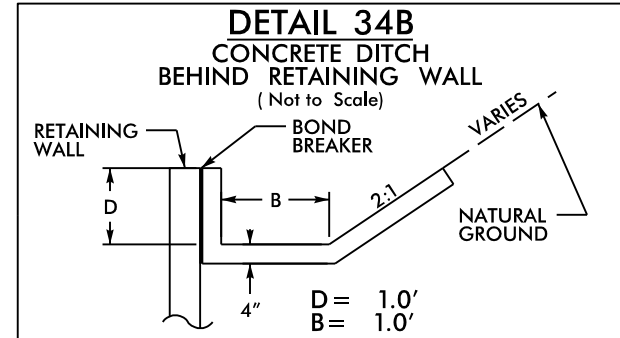
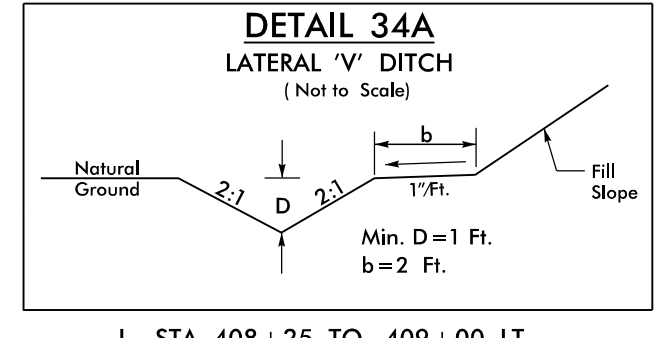
ALL PROPOSED UTILITY WORK SHOWN ON THIS SHEET WILL BE DONE BY OTHERS. NO PAYMENT WILL BE MADE TO THE CONTRACTOR FOR PROPOSED UTILITY WORK SHOWN ON THIS SHEET.



MATCH LINE STA -L- 403+00.00  
MATCH TO SHEET UO-15

END TIP PROJECT A-0009CB  
-L- STA. 414 + 50.00

END SECTION A-0009CB  
BEGIN SECTION A-0009CC



FOR CONCRETE ISLAND & DRIVE LAYOUT SEE DETAIL SHT 2B-

03-JUN-2022 09:21 \\JUBOS\Utilities\Engineering\UBO\Proj\A-0009CB.ut\_rdy34\_UO16.psh.dgn