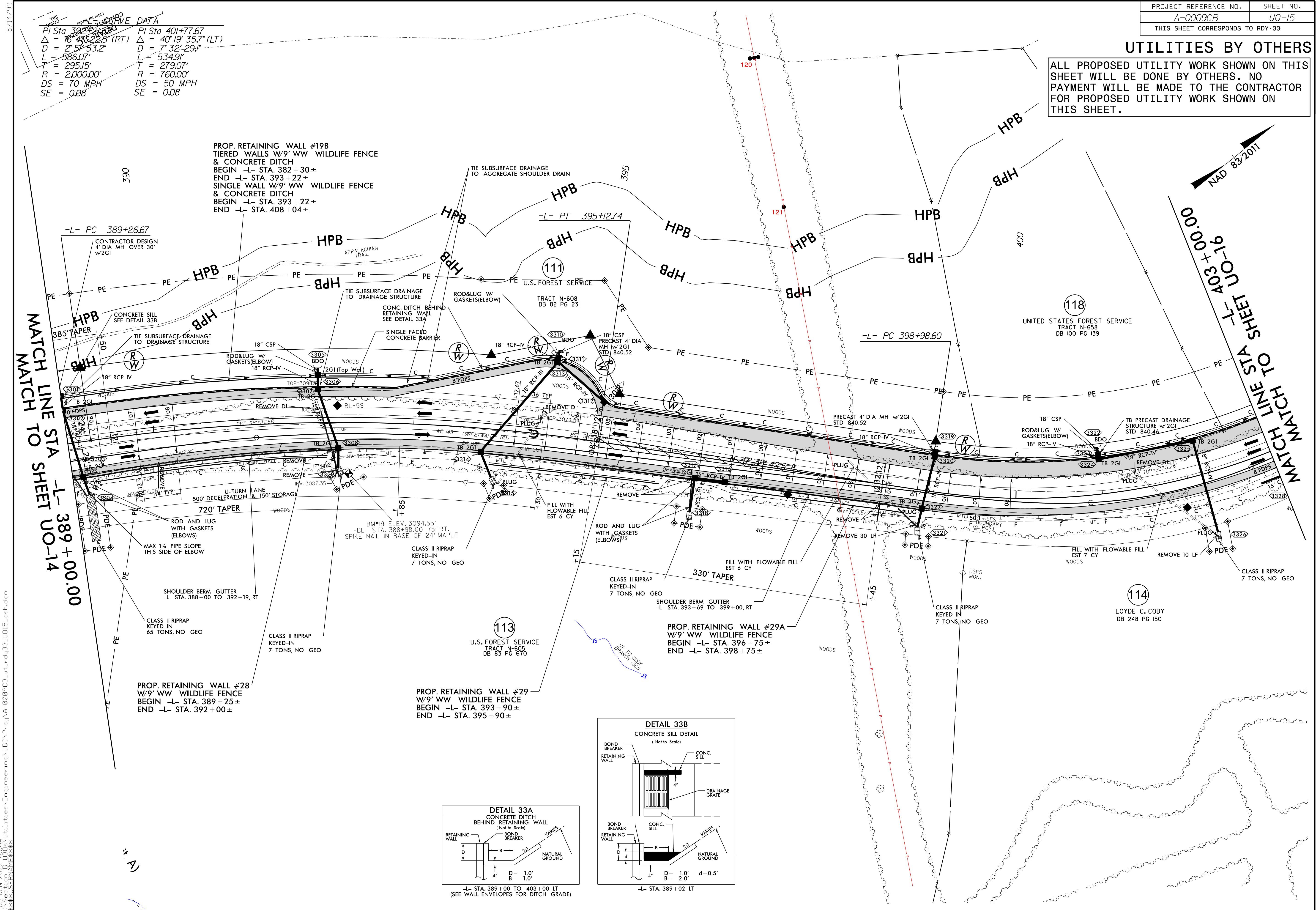


PROJECT REFERENCE NO.	SHEET NO.
A-0009CB	UO-15
THIS SHEET CORRESPONDS TO RDY-33	

UTILITIES BY OTHERS

ALL PROPOSED UTILITY WORK SHOWN ON THIS SHEET WILL BE DONE BY OTHERS. NO PAYMENT WILL BE MADE TO THE CONTRACTOR FOR PROPOSED UTILITY WORK SHOWN ON THIS SHEET.



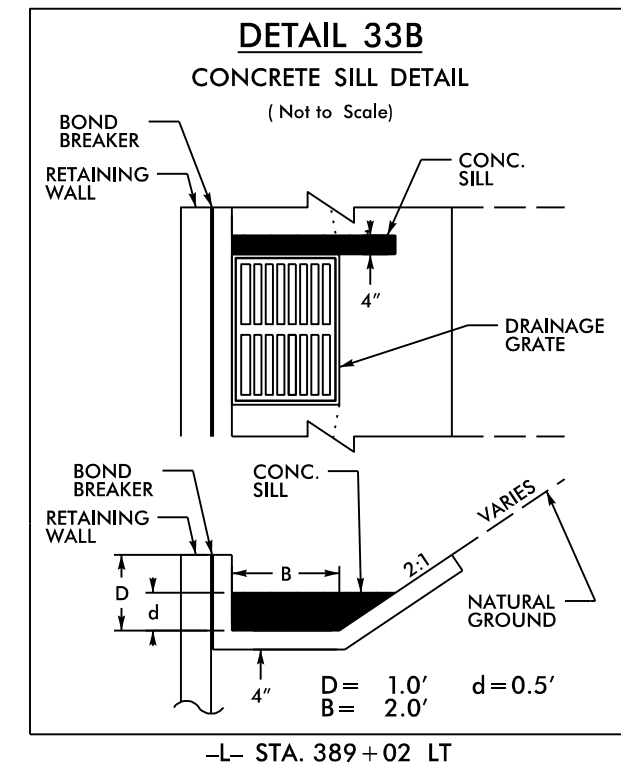
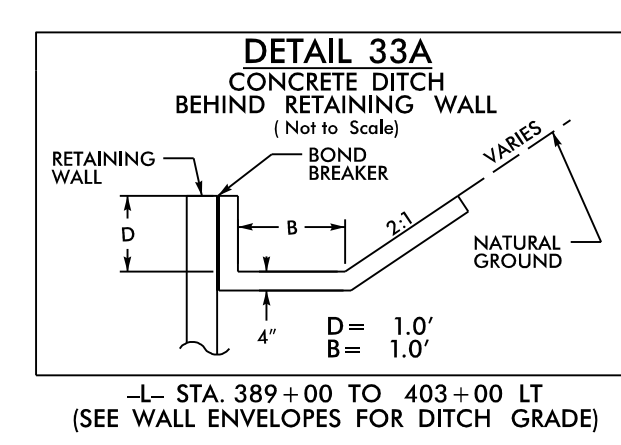
CURVE DATA

PI Sta 382+26.67	PI Sta 401+77.67
$\Delta = 76^\circ 45' 22.5" (RT)$	$\Delta = 40^\circ 19' 35.7" (LT)$
$D = 2^\circ 5' 53.2"$	$D = 7^\circ 32' 20.1"$
$L = 586.07'$	$L = 534.91'$
$T = 295.15'$	$T = 279.07'$
$R = 2,000.00'$	$R = 760.00'$
$DS = 70 MPH$	$DS = 50 MPH$
$SE = 0.08$	$SE = 0.08$

PROP. RETAINING WALL #19B
 TIERED WALLS W/9' WW WILDLIFE FENCE
 & CONCRETE DITCH
 BEGIN -L- STA. 382+30 ±
 END -L- STA. 393+22 ±
 SINGLE WALL W/9' WW WILDLIFE FENCE
 & CONCRETE DITCH
 BEGIN -L- STA. 393+22 ±
 END -L- STA. 408+04 ±

MATCH LINE TO SHEET UO-14
 -L- STA. 389+00.00

MATCH LINE TO SHEET UO-16
 -L- STA. 401+30.00



03 JUN 2022 09:04 Utilities\Engineering\UBCN\Proj\A-0009CB.ut.rdy.33.UO15.psh.dgn
 3:38:38 PM
 5/14/22