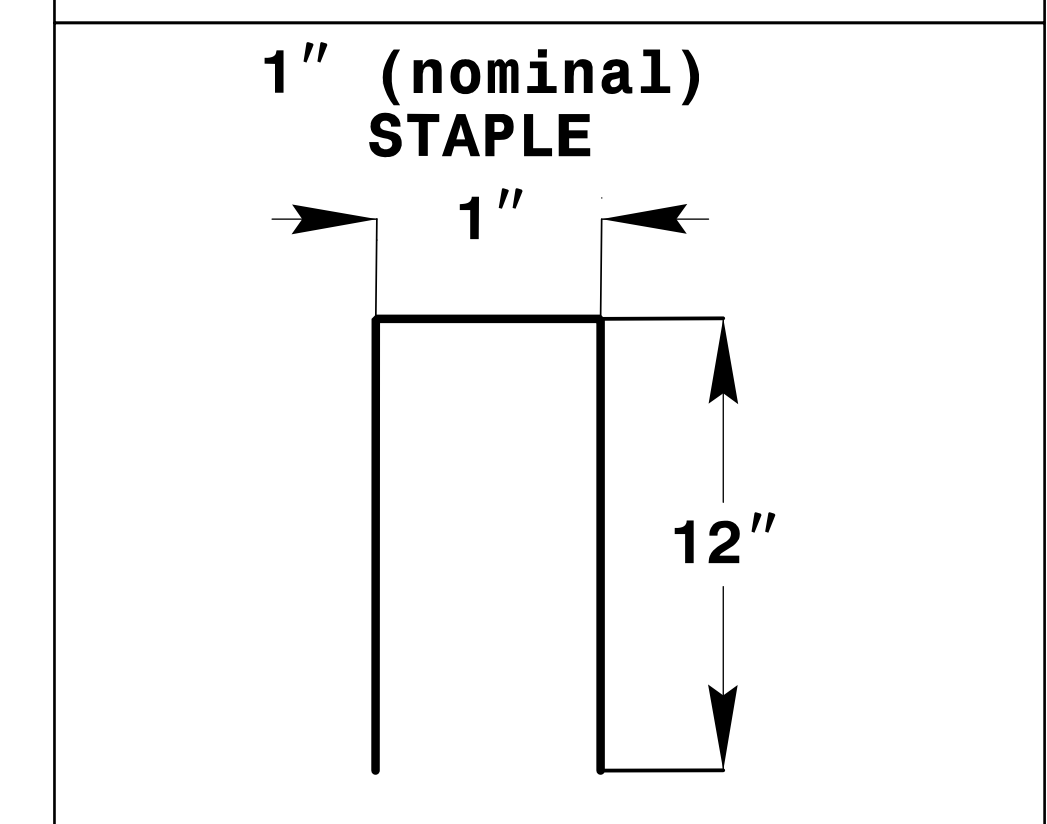
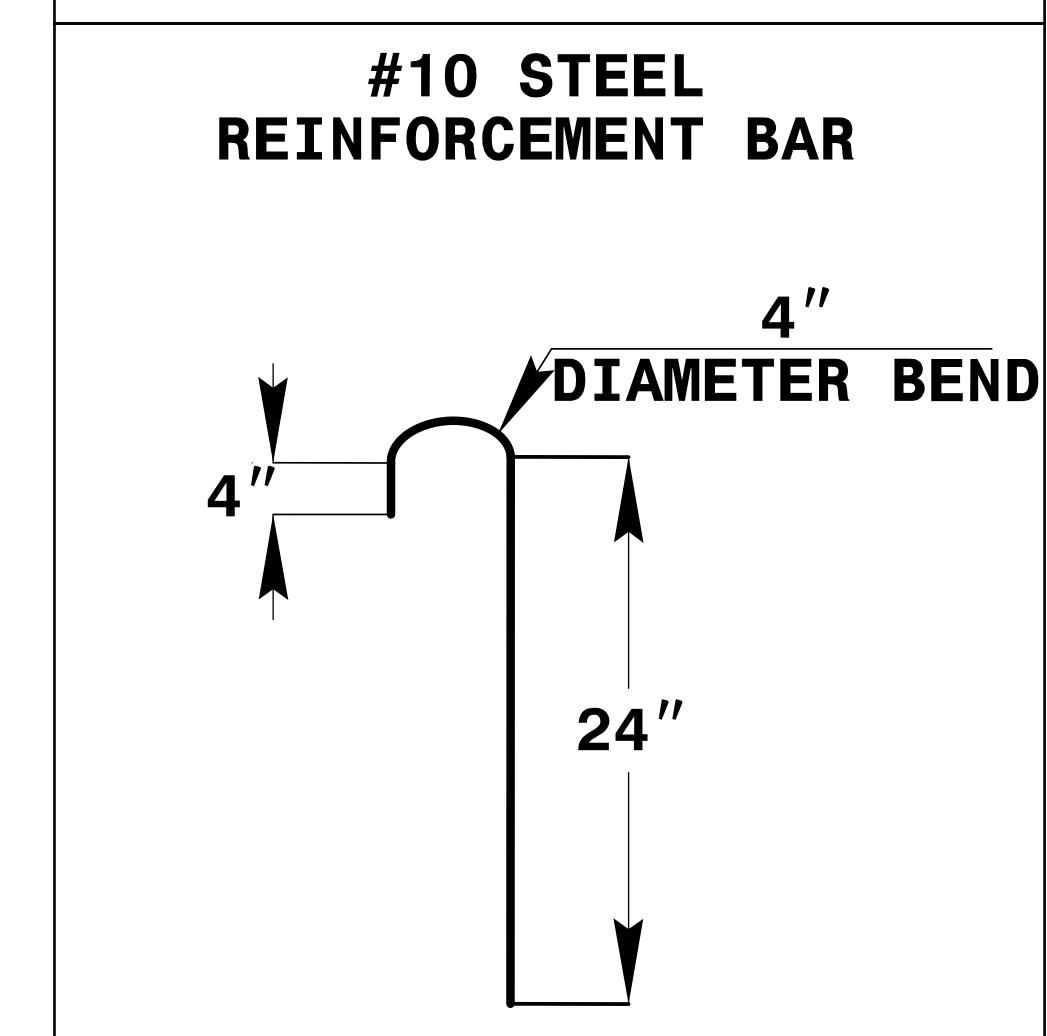
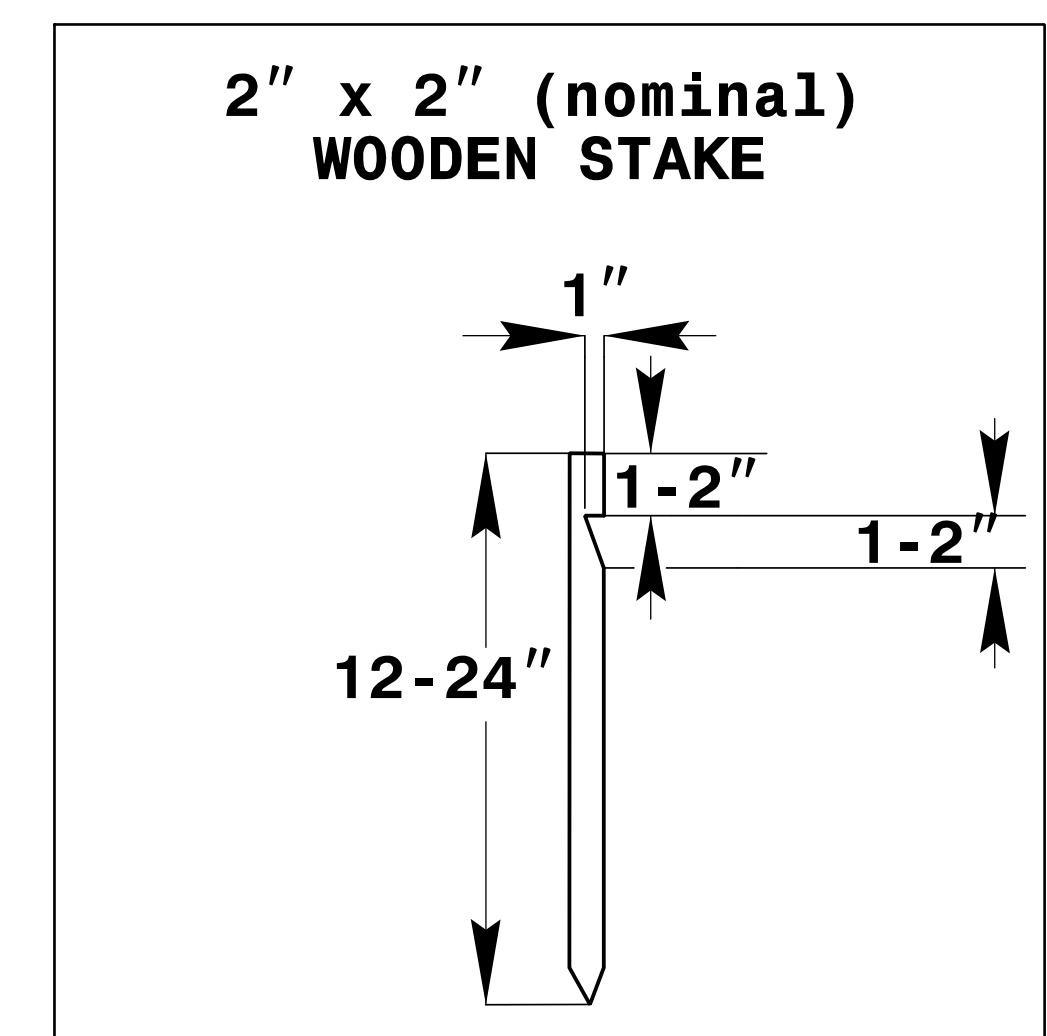
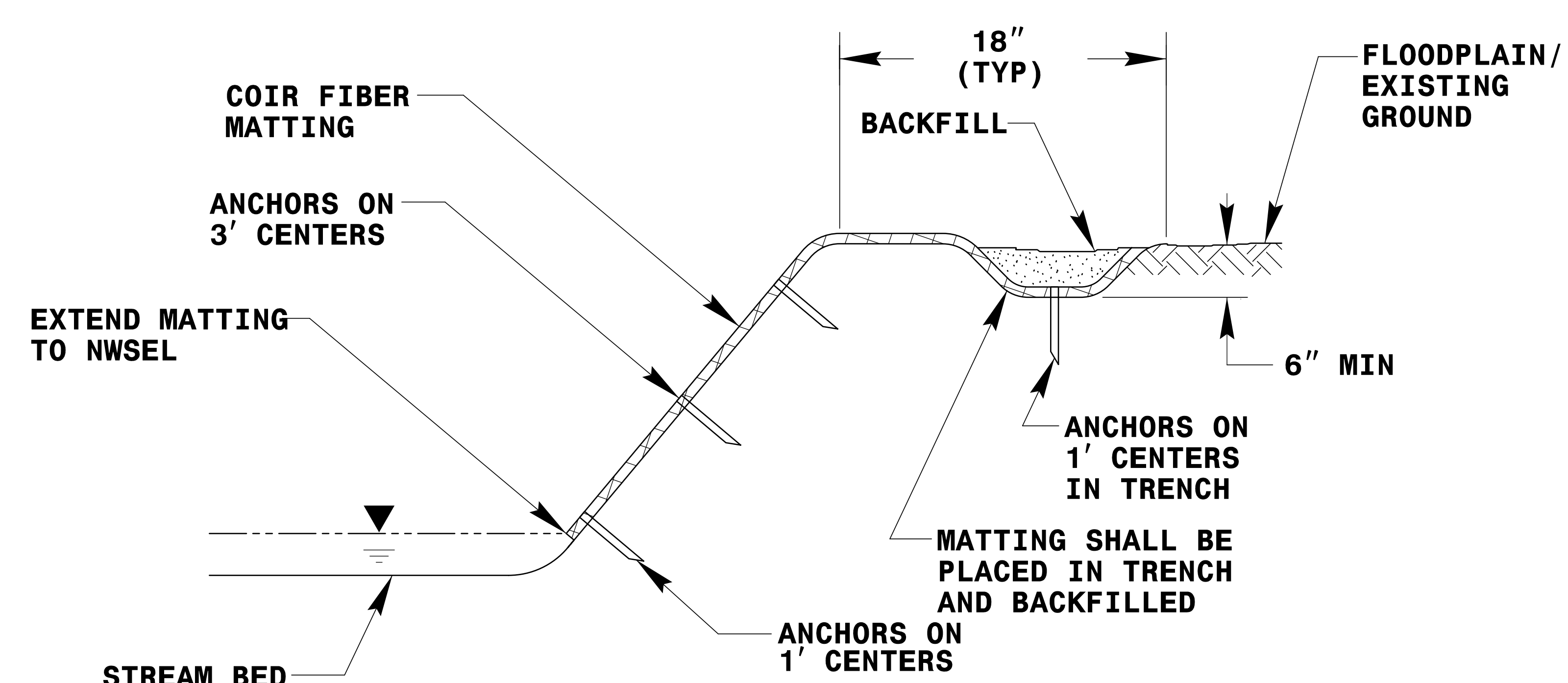
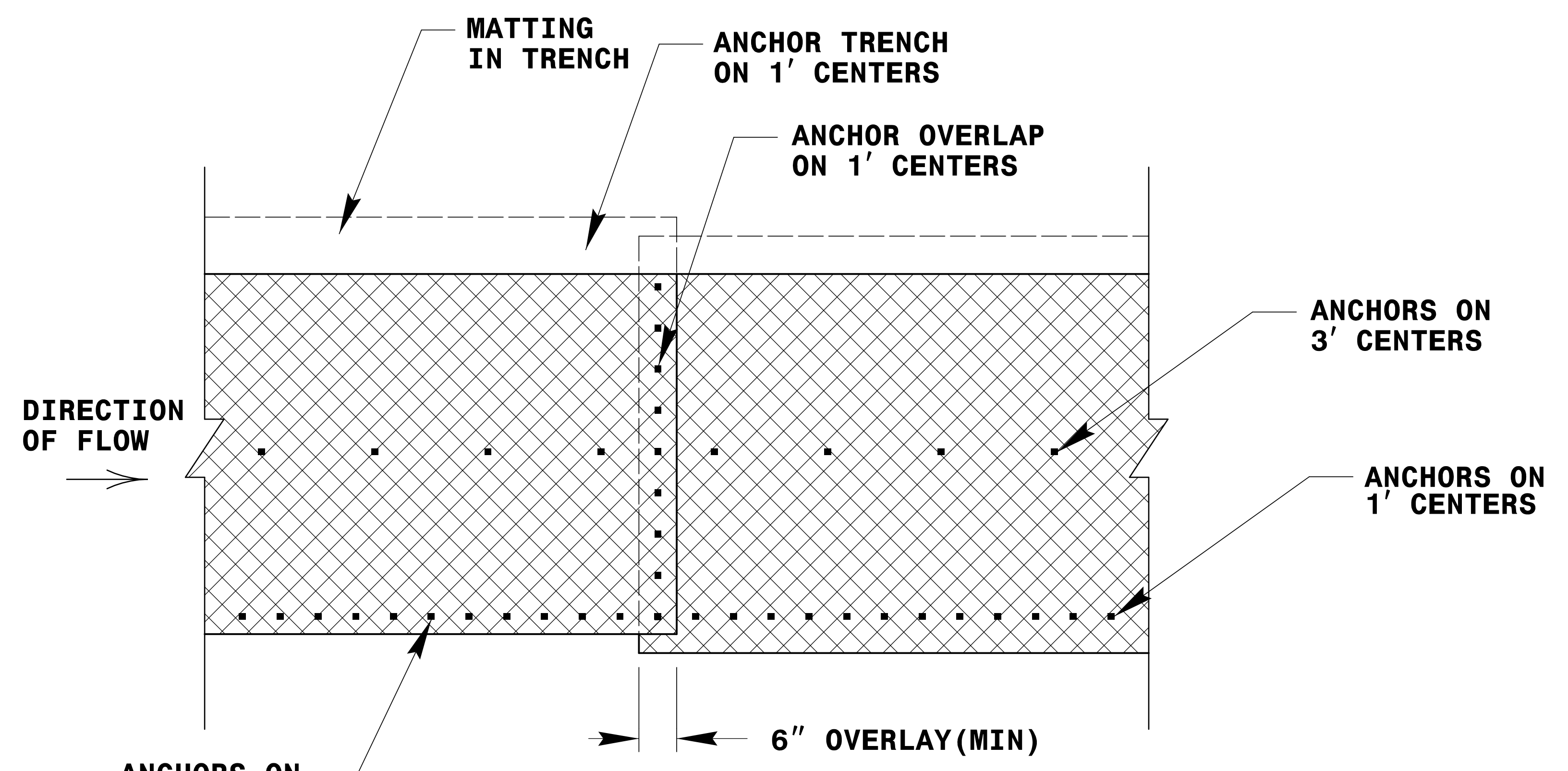


PROJECT REFERENCE NO. <i>A-0009CB</i>	SHEET NO. <i>RF-3</i>
RW SHEET NO.	
ROADWAY DESIGN ENGINEER	HYDRAULICS ENGINEER



ANCHOR OPTIONS

COIR FIBER MATTING DETAIL

NOT TO SCALE