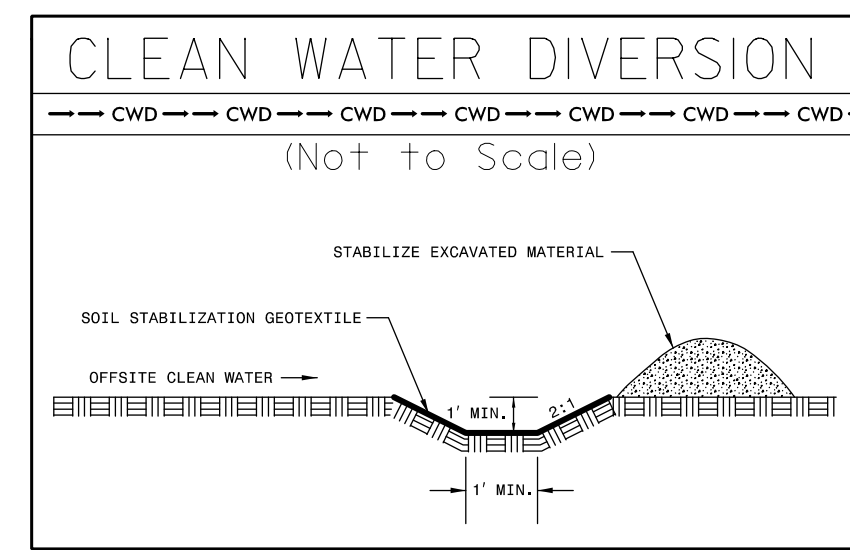
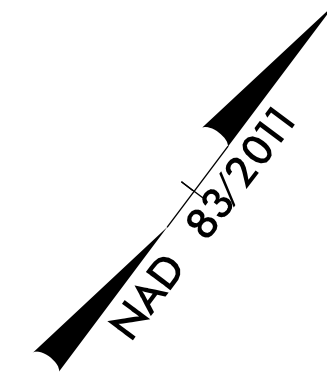
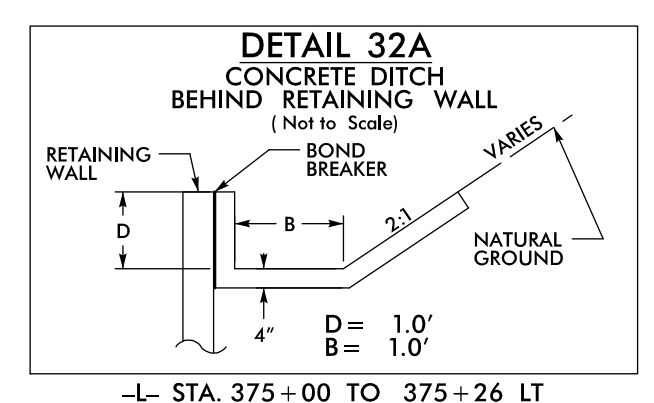


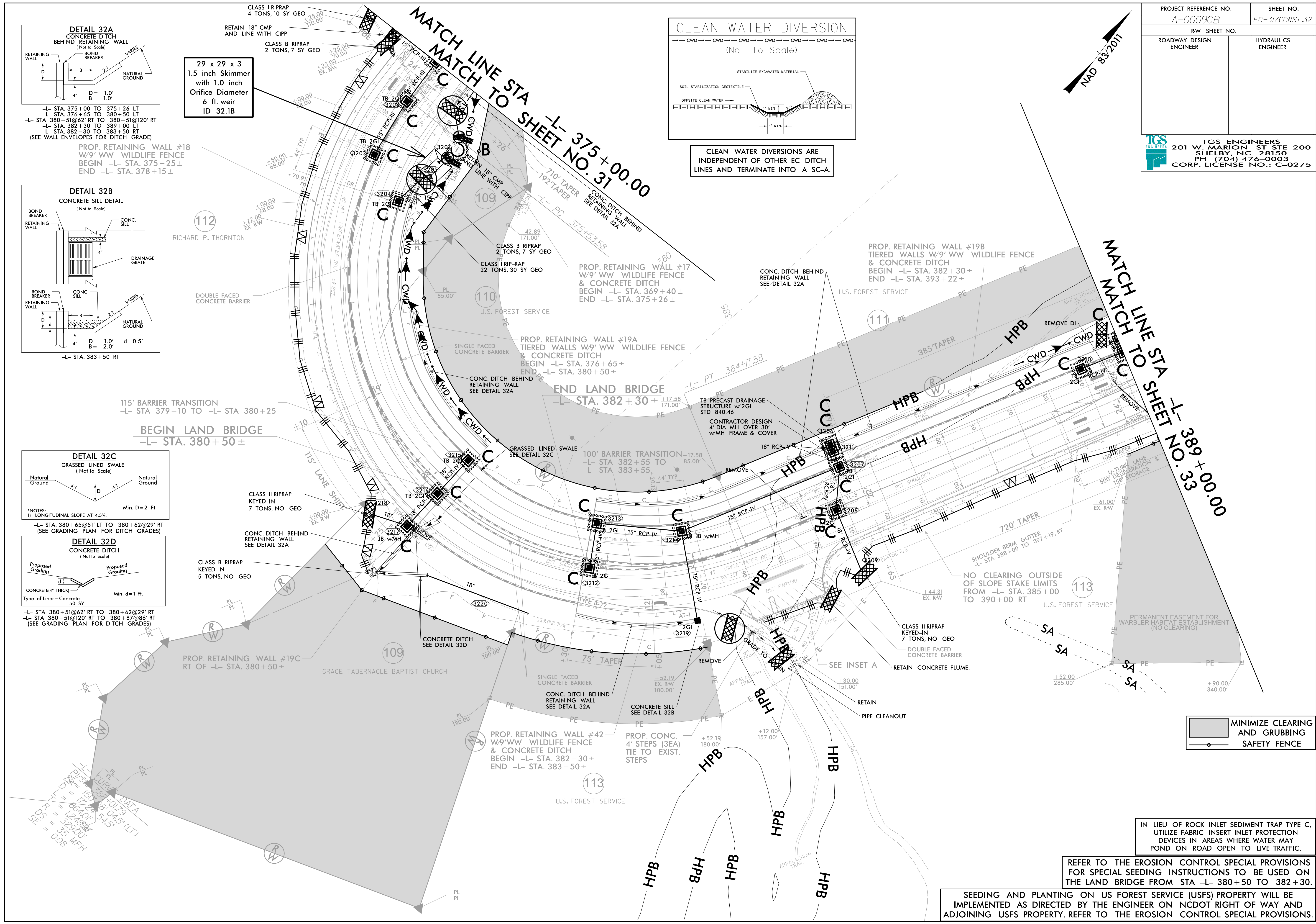
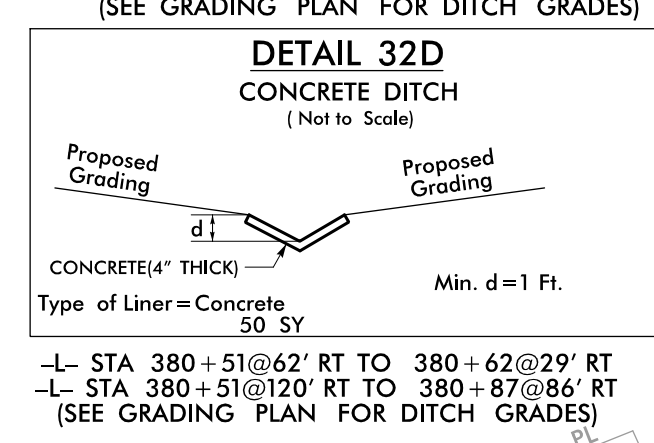
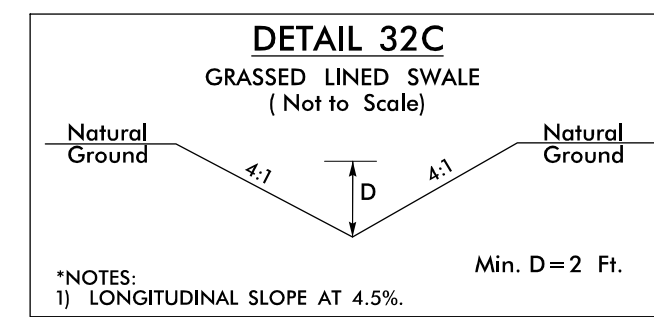
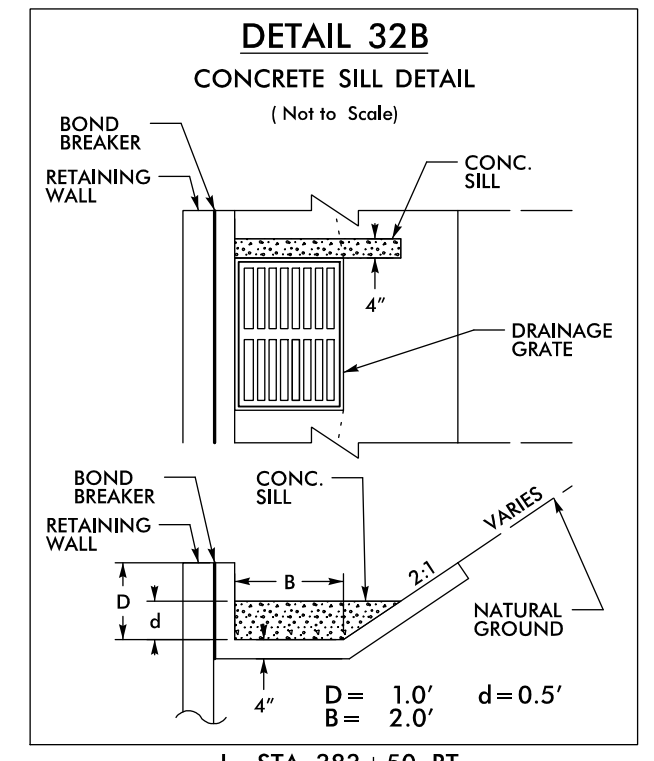
PROJECT REFERENCE NO.		SHEET NO.	
A-0009CB		EC-31/CONST.32	
RW SHEET NO.			
ROADWAY DESIGN ENGINEER		HYDRAULICS ENGINEER	
TGS ENGINEERS		TGS ENGINEERS	
201 W. MARION ST-STE 200		SHELBY, NC 28150	
PH (704) 476-0003		CORP. LICENSE NO.: C-0275	



CLEAN WATER DIVERSIONS ARE INDEPENDENT OF OTHER EC DITCH LINES AND TERMINATE INTO A SC-A.



29 x 29 x 3
1.5 inch Skimmer
with 1.0 inch
Orifice Diameter
6 ft. weir
ID 32.1B



IN LIEU OF ROCK INLET SEDIMENT TRAP TYPE C, UTILIZE FABRIC INSERT INLET PROTECTION DEVICES IN AREAS WHERE WATER MAY POND ON ROAD OPEN TO LIVE TRAFFIC.

REFER TO THE EROSION CONTROL SPECIAL PROVISIONS FOR SPECIAL SEEDING INSTRUCTIONS TO BE USED ON THE LAND BRIDGE FROM STA -L- 380+50 TO 382+30.

SEEDING AND PLANTING ON US FOREST SERVICE (USFS) PROPERTY WILL BE IMPLEMENTED AS DIRECTED BY THE ENGINEER ON NCDOT RIGHT OF WAY AND ADJOINING USFS PROPERTY. REFER TO THE EROSION CONTROL SPECIAL PROVISIONS.