
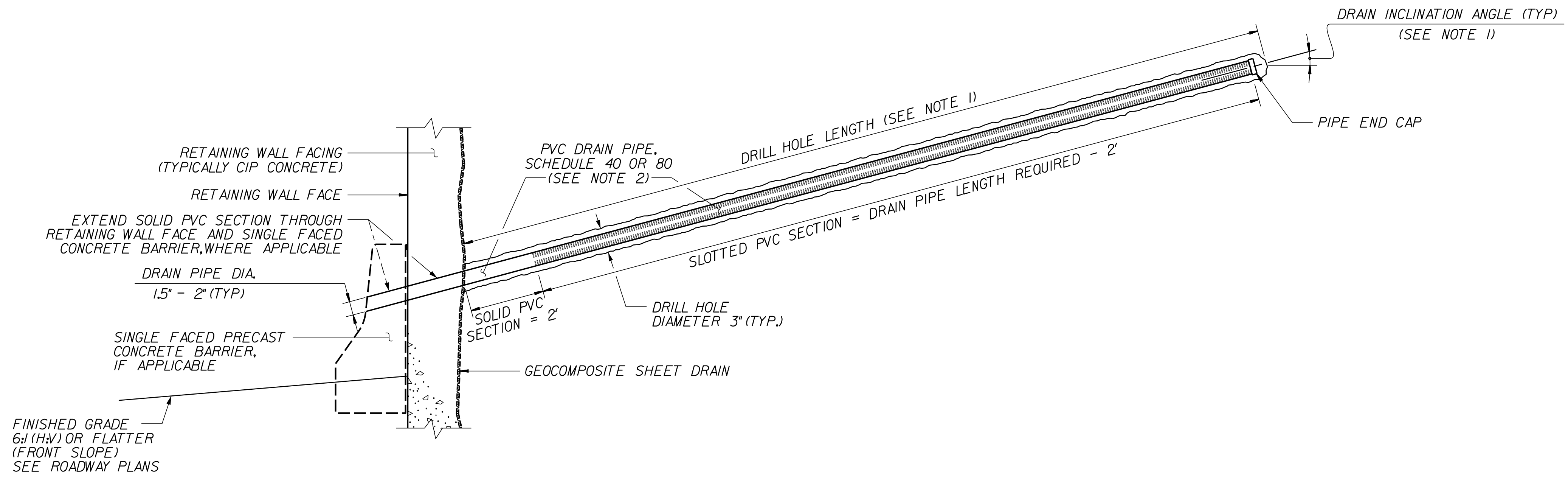
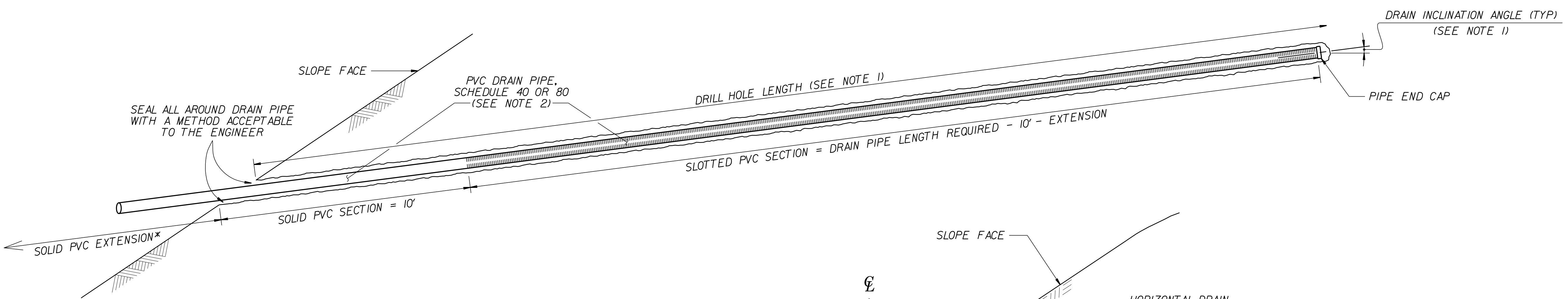


PROJECT REFERENCE NO. A-0009CB		SHEET NO. 2G-6	
GEOTECHNICAL ENGINEER  D. Matthew Brewer 388128204401188 SIGNATURE		ENGINEER DATE 7/14/22	
DOCUMENT NOT CONSIDERED FINAL UNLESS ALL SIGNATURES COMPLETED			



RETAINING WALL HORIZONTAL DRAIN



SLOPE HORIZONTAL DRAIN

*EXTEND SOLID PVC SECTION TO CONNECT PIPE TO A DRAINAGE SYSTEM OR DISCHARGE WATER AS DIRECTED

EXAMPLE CROSS-SECTION WITH SLOPE HORIZONTAL DRAIN

*SEE NOTE 1 FOR DRAIN ELEVATIONS ABOVE (OR BELOW) GRADE

NOTES:

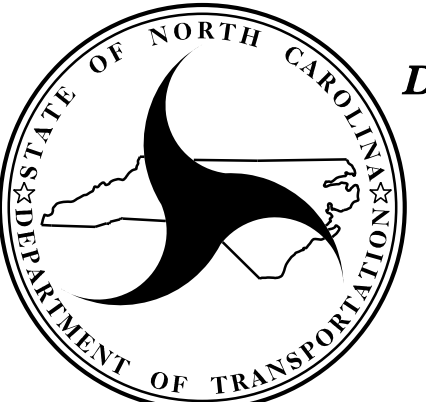
1. SEE ROADWAY SUMMARY SHEETS FOR APPROXIMATE KNOWN HORIZONTAL DRAIN LOCATIONS, ELEVATIONS, INCLINATION AND LENGTHS. ADDITIONAL DRAINS MAY BE REQUIRED AS DETERMINED BY THE ENGINEER.
2. DRAIN PIPES MAY BE OMITTED FOR SOME HORIZONTAL DRAINS, SEE ROADWAY SUMMARY SHEETS FOR DRAIN PIPE REQUIREMENTS INCLUDING THOSE DRAINS WITHOUT PIPES.
3. FOR HORIZONTAL DRAINS, SEE HORIZONTAL DRAINS SPECIAL PROVISION (GT-12).

PREPARED BY: D. MATTHEW BREWER, P.E.	DATE: 5/26/22
REVIEWED BY: ROBERT E. KRAL, P.E.	DATE: 5/26/22

Prepared in the Office of:



**CAROLINAS
GEOTECHNICAL
GROUP**
2400 CROWNPOINT EXECUTIVE DRIVE
SUITE 800
CHARLOTTE, NC 28227
(980) 339-8684



**NORTH CAROLINA
DEPARTMENT OF TRANSPORTATION
DIVISION OF HIGHWAYS**

**GEOTECHNICAL
ENGINEERING UNIT**

GEOTECHNICAL CONSTRUCTION DETAILS - HORIZONTAL DRAINS					
REVISIONS					
NO.	BY	DATE	NO.	BY	DATE
1			3		
2			4		