

STATE OF NORTH CAROLINA DEPT. OF TRANSPORTATION DIVISION OF HIGHWAYS RALEIGH, N.C.

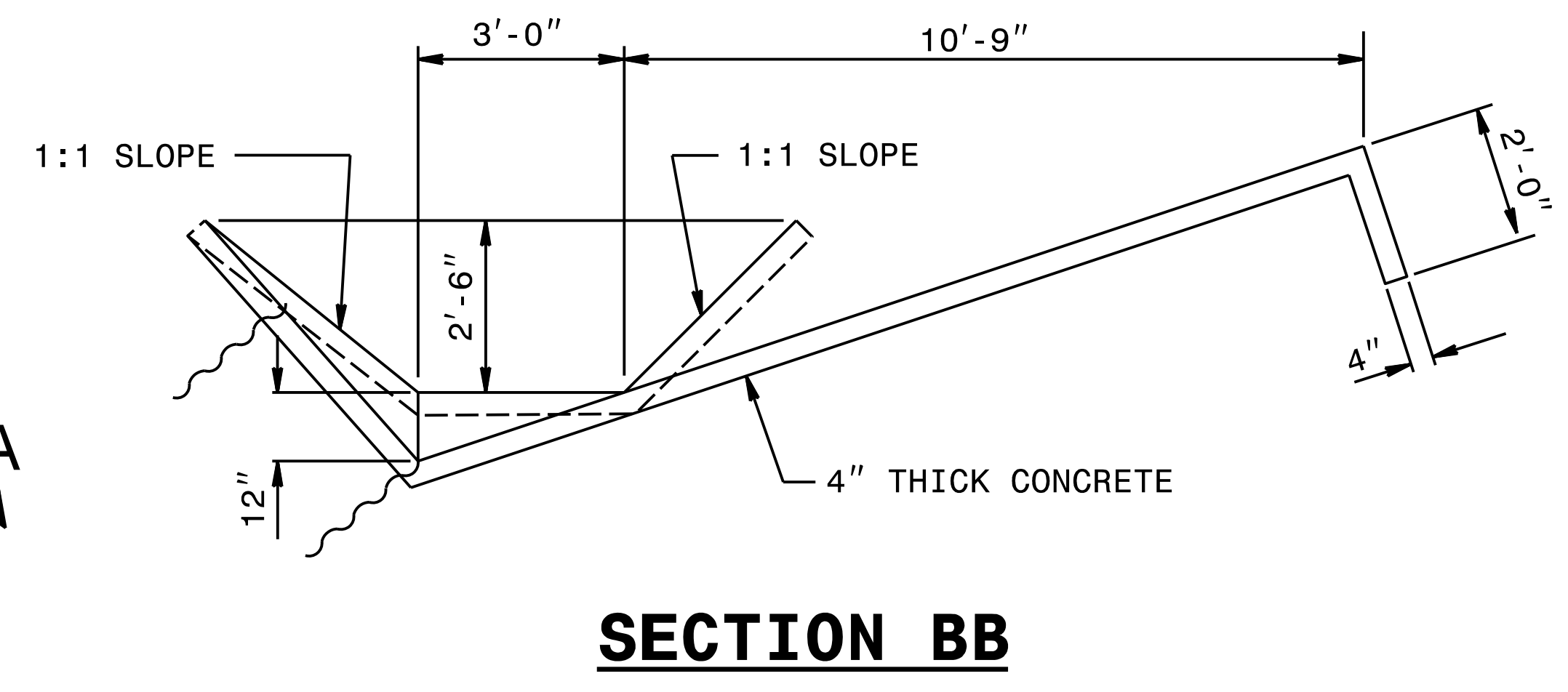
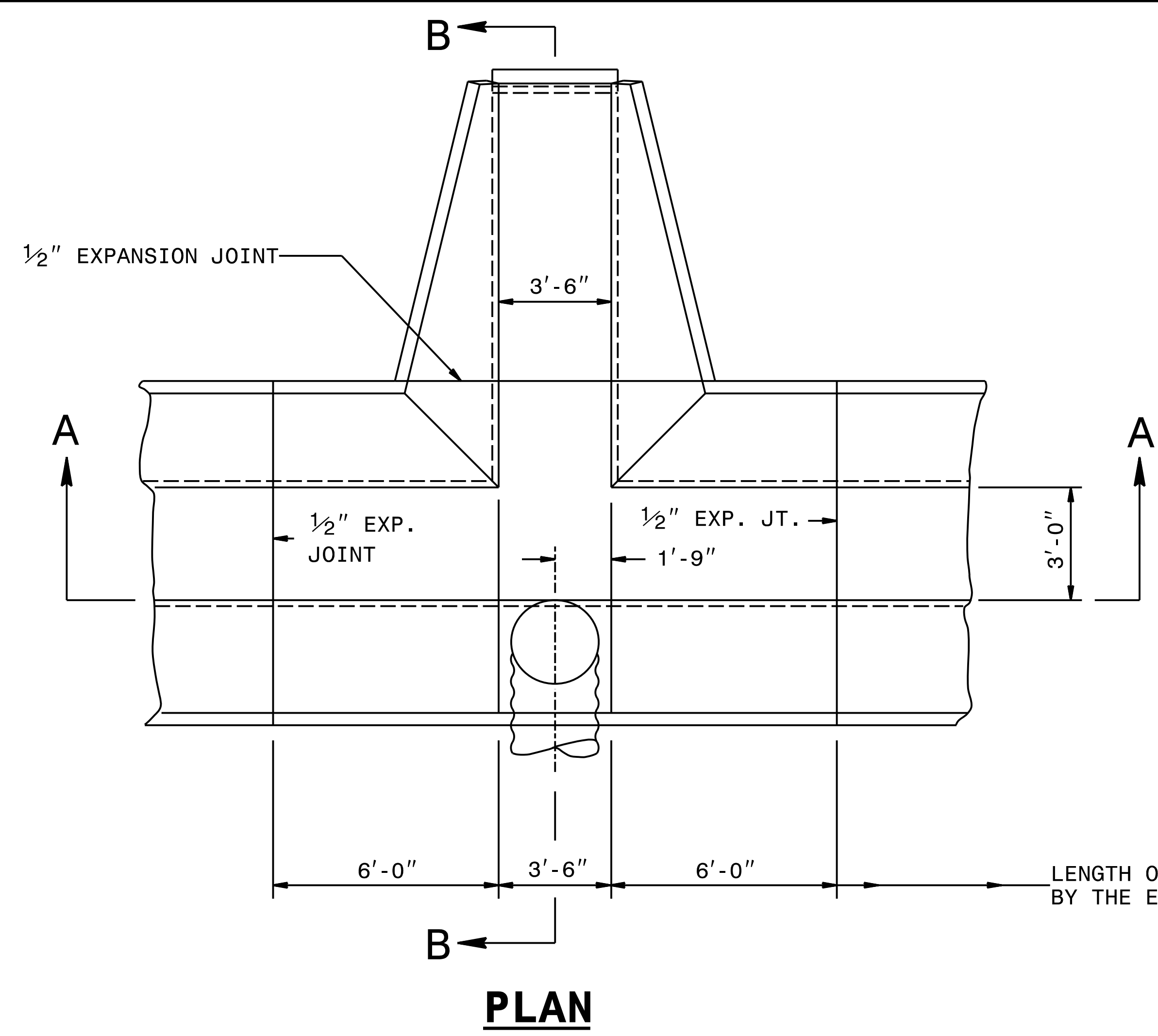
STATE OF NORTH CAROLINA DEPT. OF TRANSPORTATION DIVISION OF HIGHWAYS RALEIGH, N.C.

ENGLISH DETAIL DRAWING FOR GUIDE FOR BERM DRAINAGE OUTLET 36" PIPE

ENGLISH DETAIL DRAWING FOR GUIDE FOR BERM DRAINAGE OUTLET 36" PIPE

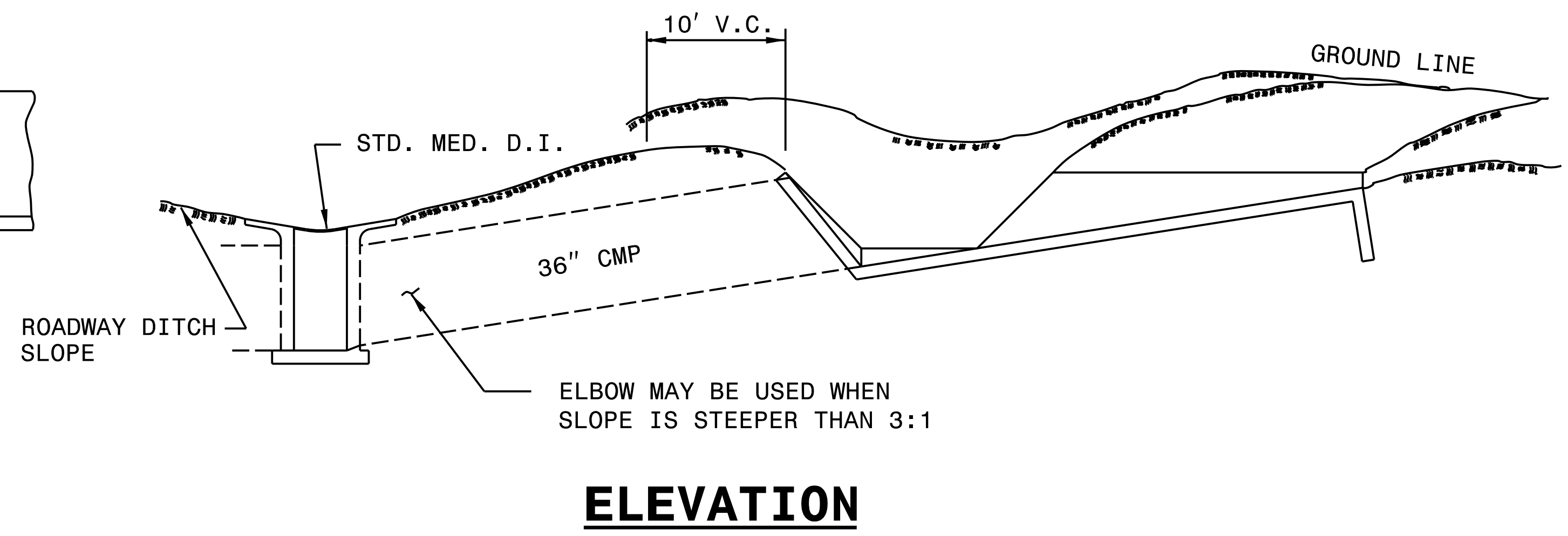
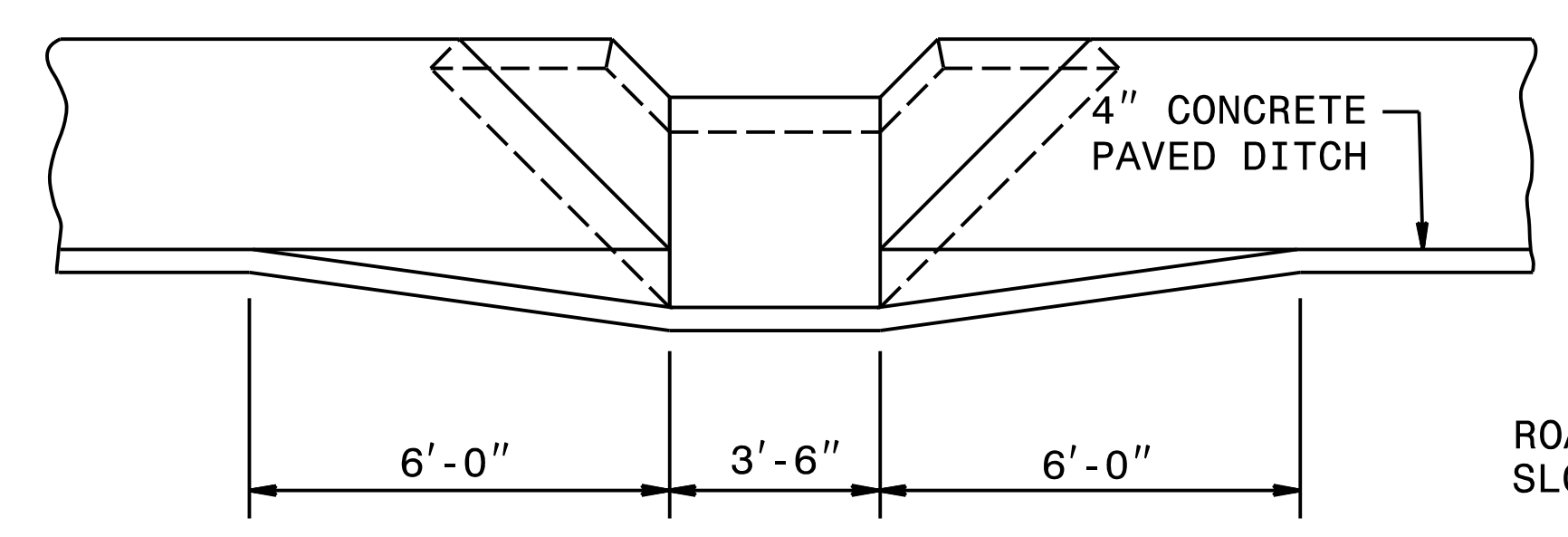
SHEET 1 OF 1

SHEET 1 OF 1



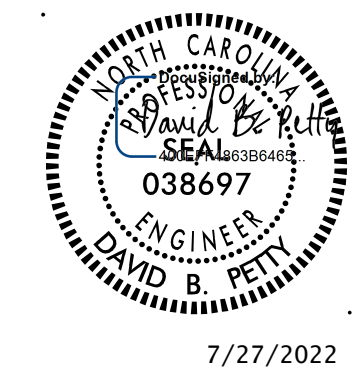
GENERAL NOTES:
 WHERE NECESSARY, ELBOWS MAY BE USED TO SKEW PIPE TO FIT INLETS WHERE THERE IS OFFSET BETWEEN THE INLET END AT BERM AND THE D.I.

LENGTH OF PAVED DITCH AS DIRECTED BY THE ENGINEER (5' MIN.)



DETAIL PREPARED BY:
 TGS ENGINEERS
 706 HILLSBOROUGH ST
 SUITE 200
 RALEIGH, NC 27603
 PH (919) 773-8887
 CORP. LICENSE NO.: C-0275

DETAIL PREPARED FOR:
 NORTH CAROLINA DEPARTMENT OF TRANSPORTATION
 DIVISION 14
 252 Webster Rd
 Sylva, NC 28779



7/27/2022

SEE PLATE FOR TITLE

ORIGINAL BY: 2002 STANDARDS DATE: 01-15-02
 MODIFIED BY: DAVID B. PETTY DATE: 3-16-22
 CHECKED BY: DATE:
 FILE SPEC.: usr/details/stand/850d01.dgn

DOCUMENT NOT CONSIDERED FINAL UNLESS ALL SIGNATURES COMPLETED

X:\NC\0001\A-0009CB\Drainage\Special Details for A-0009CB\850d01 Special Design 8D0.dgn User:zrichard